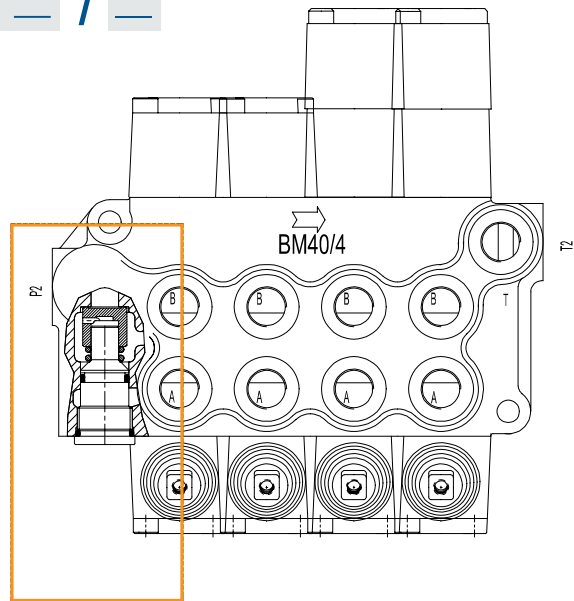


RELIEF VALVES

BM __ / __ __ () __ / __ __ / __



RELIEF VALVE LOCK KIT PB

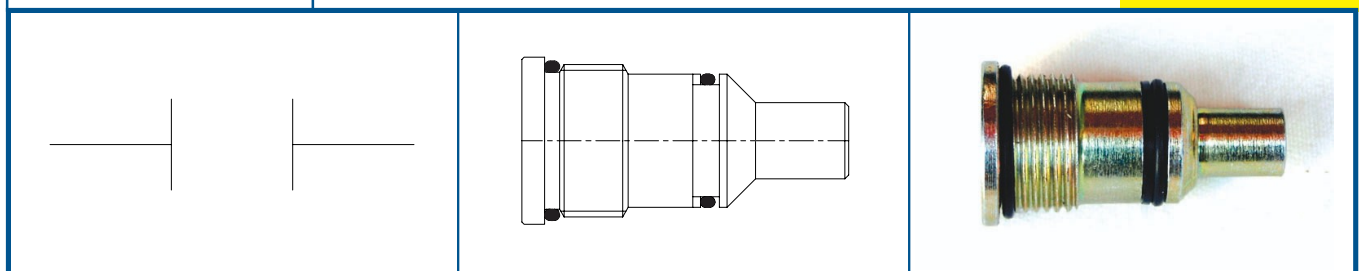
COD. 020027



Prevents users from altering the factory pre-set relief valve.

RELIEF VALVE PLUG RVP

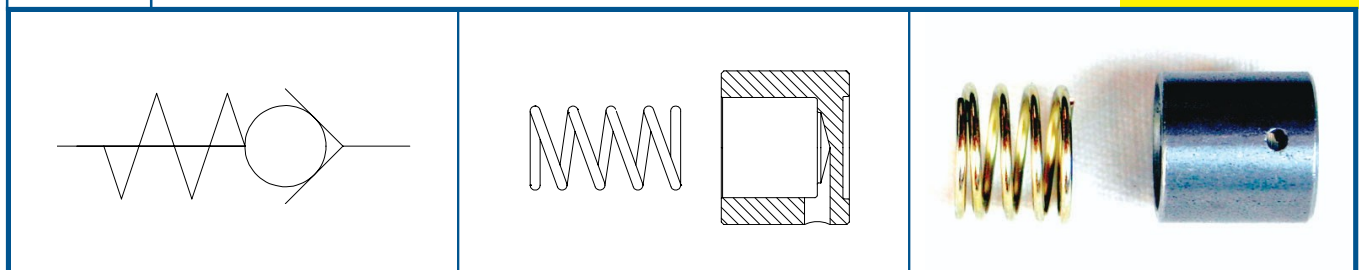
COD. 832010



Replaces the relief valve in closed center systems where the relief valve is not required.

KIT VNR

COD. 560189



Standard on all Bib monoblock valves. Each valve has only one load check. The load check prevents the fall of a cylinder as the spool is shifted. It also prevents the backflow of oil from the work port to the inlet.