



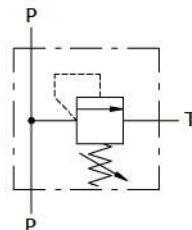
Type VMDL..20 - VMD..35 - VMD..80 pressure relief valves

- Direct acting

Technical specifications and diagrams are measured with mineral oil of 46 cSt viscosity at 40°C (104°F) temperature.

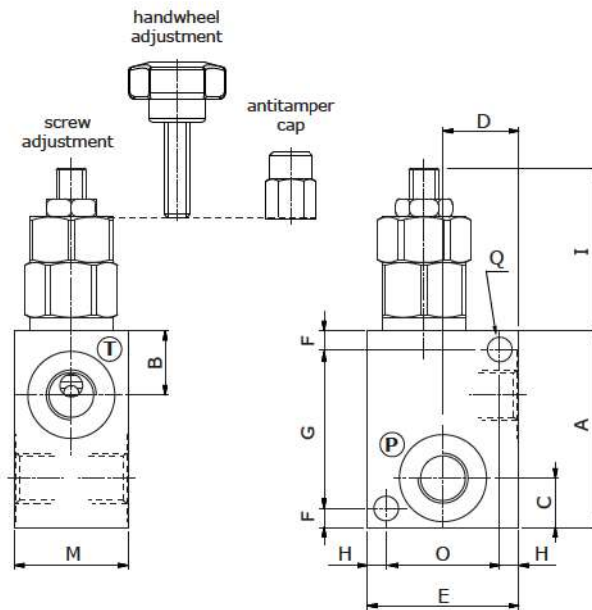
| | VMDL..2001 | VMDL..2002 | VMD..3502 | VMD..3503 | VMD..8003 | VMD..8004 | |
|--|--|-------------------|-----------------------|-------------------|------------------------|-------------------|-------------------|
| Nominal flow | 20 l/min (5.3 US gpm) | | 35 l/min (9.2 US gpm) | | 80 l/min (21.1 US gpm) | | |
| Max. pressure | Aluminium body = 210 bar (3050 psi) Steel body = 350 bar (5100 psi) | | | | | | |
| Fluid | mineral based oil | | | | | | |
| Viscosity | from 10 to 200 cSt | | | | | | |
| Max. level of contamination | 18/16/13 ISO4406 | | | | | | |
| Fluid temperature | with NBR seals from -20°C (-4°F) to 80°C (176°F) | | | | | | |
| Environmental temp. for working conditions | from -40°C (-40°F) to 100°C (212°F) | | | | | | |
| Weight | aluminium | 0.24 kg (0.53 lb) | 0.24 kg (0.53 lb) | 0.40 kg (0.88 lb) | 0.39 kg (0.86 lb) | 0.72 kg (1.59 lb) | 0.72 kg (1.59 lb) |
| | steel | - | - | 0.85 kg (1.87 lb) | 0.78 kg (1.72 lb) | 1.45 kg (3.20 lb) | 1.35 kg (2.98 lb) |

NOTE - For different conditions, please contact Walvoil Sales Dpt.

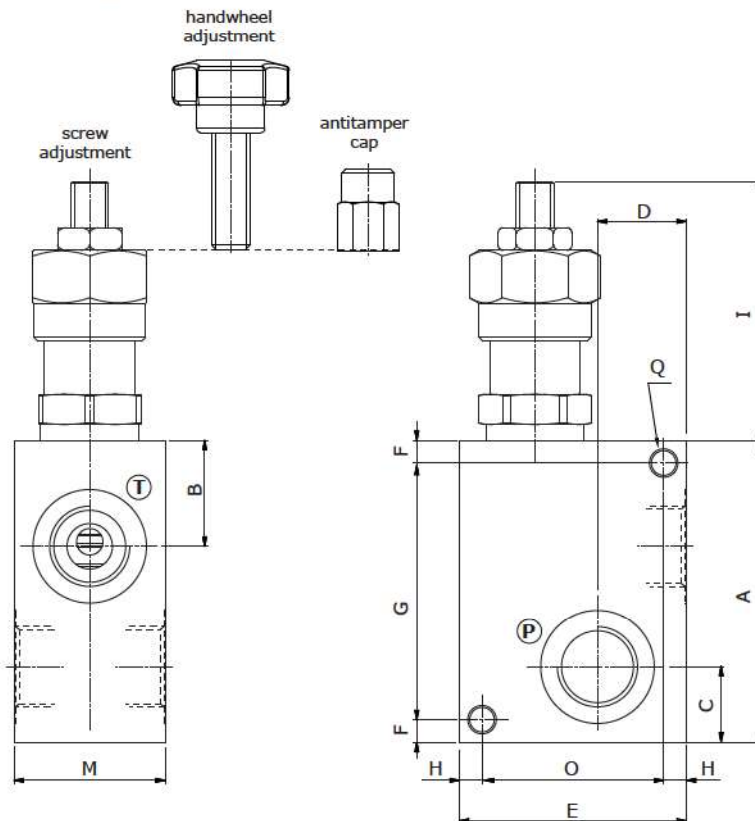


Dimensions

VMDL..20



VMD..35 - VMD..80

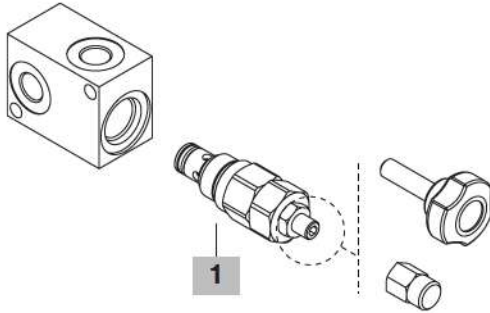
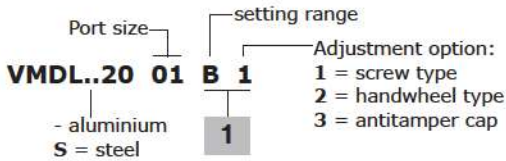


| Valve type | All ports |
|------------|-----------|
| VMDL..2001 | G1/4 |
| VMDL..2002 | G3/8 |
| VMD..3502 | G3/8 |
| VMD..3503 | G1/2 |
| VMD..8003 | G1/2 |
| VMD..8004 | G3/4 |

Dimensions are in mm-in

| Valve type | A | B | C | D | E | F | G | H | I | M | O | ØQ |
|------------|---------|---------|---------|-----------|---------|---------|---------|---------|---------|---------|---------|-----------|
| VMDL..20 | 45-1.77 | 17-0.67 | 13-0.51 | 20-0.79 | 40-1.57 | 5-0.197 | 42-1.65 | 5-0.197 | 44-1.73 | 30-1.18 | 30-1.18 | 6.5-0.256 |
| VMD..35 | 65-2.56 | 24-0.95 | 17-0.67 | 20-0.79 | 50-1.97 | 5-0.197 | 53-2.09 | 6-0.236 | 64-2.52 | 35-1.38 | 34-1.34 | 6.5-0.256 |
| VMD..80 | 80-3.15 | 28-1.10 | 20-0.79 | 23.5-0.93 | 60-2.36 | 6-0.236 | 68-2.68 | 6-0.236 | 77-3.03 | 40-1.57 | 48-1.89 | 6.5-0.256 |

Ordering codes and description composition



| Type | Setting range bar (psi) | Std. setting bar (psi) |
|-----------------|------------------------------|---------------------------|
| VMDL..20 | A 5-60 (72.5-870) | 30 (435) |
| | B 50-240 (725-3500) | 150 (2200) |
| | C 90-350 (130-5100) | 250 (3600) |
| | D 20-130 (290-1900) | 70 (1000) |
| VMD..35 | A 5-50 (72.5-725) | 30 (4.35) |
| | B 40-210 (580-3050) | 150 (2200) |
| | C 100-350 (1450-5100) | 210 (3050) |
| VMD..80 | A 5-50 (72.5-725) | 30 (580) |
| | B 40-260 (580-3770) | 150 (2200) |
| | C 120-350 (1750-5100) | 210 (3050) |

VMD complete valves

Standard setting 150 bar @ 5 l/min (2200 psi @ 1.32 US gpm)

| TYPE | CODE | DESCRIPTION |
|--|------------|---|
| Configuration with G1/4 standard thread | | |
| VMDL2001B1 | 1110711100 | Aluminium body, setting range from 50 to 240 bar (725-3500 psi) |
| Configuration with G3/8 standard thread | | |
| VMDL2002B1 | 1110721100 | Aluminium body, setting range from 50 to 240 bar (725-3500 psi) |
| VMD3502B1 | 1110821100 | Aluminium body, setting range from 40 to 210 bar (580-3050 psi) |
| VMDS3502B1 | 1110822100 | Steel body, setting range from 40 to 210 bar (580-3050 psi) |
| Configuration with G1/2 standard thread | | |
| VMD3503B1 | 1110821101 | Aluminium body, setting range from 40 to 210 bar (580-3050 psi) |
| VMD8003B1 | 1110831100 | Aluminium body, setting range from 40 to 260 bar (580-3770 psi) |
| VMDS3503B1 | 1110822101 | Steel body, setting range from 40 to 210 bar (580-3050 psi) |
| VMDS8003B1 | 1110832100 | Steel body, setting range from 40 to 260 bar (580-3770 psi) |
| Configuration with G3/4 standard thread | | |
| VMD8004B1 | 1110831101 | Aluminium body, setting range from 40 to 260 bar (580-3770 psi) |
| VMDS8004B1 | 1110832101 | Steel body, setting range from 40 to 260 bar (580-3770 psi) |

For different configurations and SAE thread please contact our Sales Dpt.

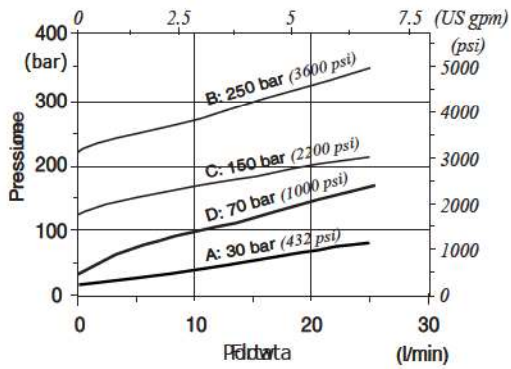
1 Direct acting pressure relief valves

Standard setting 150 bar @ 5 l/min (2200 psi @ 1.32 US gpm)

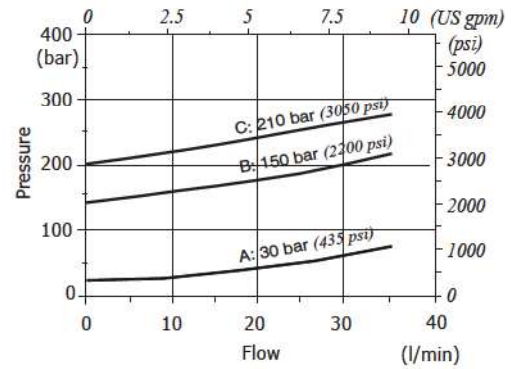
| TYPE | CODE | DESCRIPTION |
|---------------------------|-------------|--|
| For VMDL..20 valve | | |
| MC08F/0G2B | 0MC08002069 | Screw adjustment from 50 to 240 bar (725-3500 psi) |
| For VMD..35 valve | | |
| VMDC35B1(M20X1,5) | 1100220400 | Screw adjustment from 40 to 210 bar (580-3050 psi) |
| For VMD..80 valve | | |
| VMDC80B1(M26X1,5) | 1100230400 | Screw adjustment from 20 to 260 bar (290-3770 psi) |

Rating diagrams

VMDL..20 pressure vs. flow
standard setting @ 5 l/min (1.32 US gpm)



VMD..35 pressure vs. flow
standard setting @ 5 l/min (1.32 US gpm)



VMD..80 pressure vs. flow
standard setting @ 5 l/min (1.32 US gpm)

