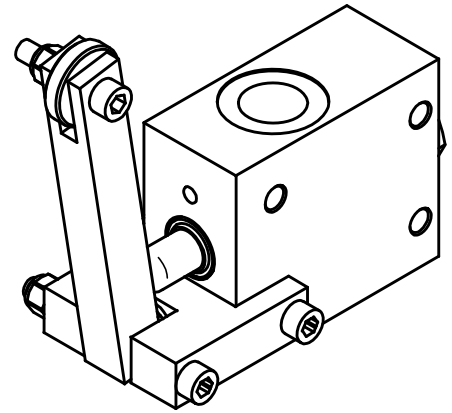
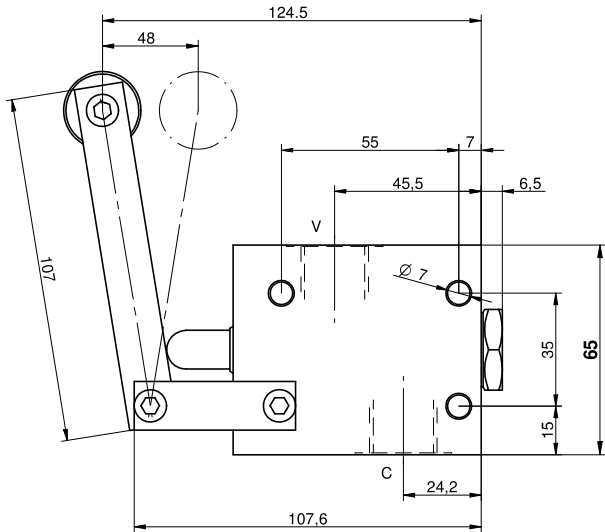
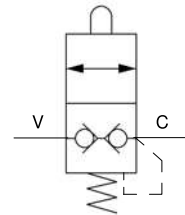


Dimensions

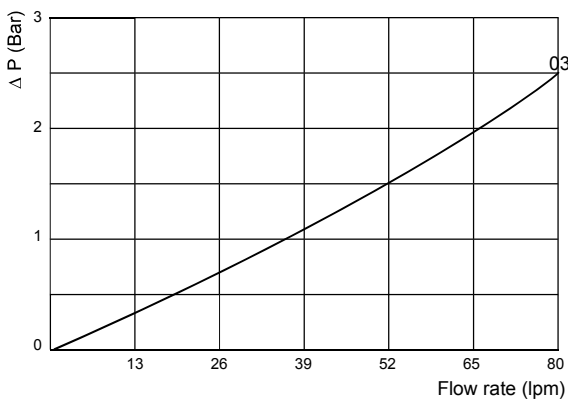


Hydraulic Symbol



Curves

V ↔ C



Features

Max Flow	80 lpm
Max Pressure	400 bar
Port Sizes	V - C: G 1/2

Materials: Zinc plated steel body

Ordering Code

ESCDCM03