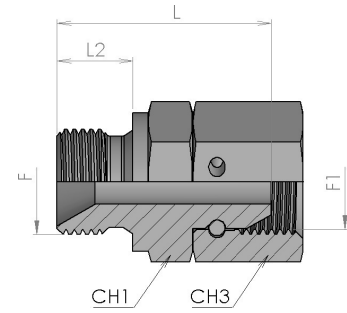


2350

Reducing Female-Male BSP (ISO 8434-6)

RDSW



Product number	Ø tube		Thread		Dimension				Weight kg/unit
	mm	inch	F	F1	L	L2	CH1	CH3	
2350-02-02	6	1/4"	G 1/8	G 1/8	23	8	14	14	0.03
2350-04-04	8	5/16"	G 1/4	G 1/4	29	11	19	19	0.049
2350-04-06	8-10	5/16"-3/8"	G 1/4	G 3/8	31.5	11	19	22	0.064
2350-06-04	10-8	3/8"-5/16"	G 3/8	G 1/4	31.5	12	22	19	0.061
2350-06-06	10	3/8"	G 3/8	G 3/8	34	12	22	22	0.076
2350-06-08	10-12	3/8"-1/2"	G 3/8	G 1/2	36	12	22	27	0.105
2350-06-12	10-20	3/8"-3/4"	G 3/8	G 3/4	39	12	27	32	0.145
2350-08-06	12-10	1/2"-3/8"	G 1/2	G 3/8	37.5	14	27	22	0.099
2350-08-08	12	1/2"	G 1/2	G 1/2	39.5	14	27	27	0.128
2350-08-10	12-16	1/2"-5/8"	G 1/2	G 5/8	37	14	27	30	0.16
2350-08-12	12-20	1/2"-3/4"	G 1/2	G 3/4	40	14	27	32	0.152
2350-10-10	16	5/8"	G 5/8	G 5/8	39	16	30	30	0.164
2350-12-08	20-12	3/4"-1/2"	G 3/4	G 1/2	39	16	32	27	0.161
2350-12-12	20	3/4"	G 3/4	G 3/4	43.5	16	32	32	0.188
2350-12-16	20-25	3/4"-1"	G 3/4	G 1	44	16	32	38	0.214
2350-16-12	25-20	1"-3/4"	G 1	G 3/4	47.5	19	41	32	0.258
2350-16-16	25	1"	G 1	G 1	48	19	41	41	0.279
2350-16-20	25-32	1"-1.1/4"	G 1	G 1 1/4	50.5	19	41	50	0.426
2350-20-20	32	1.1/4"	G 1 1/4	G 1 1/4	54.5	20	50	50	0.536
2350-24-20	38-32	1.1/2"-1.1/4"	G 1 1/2	G 1 1/4	55.5	22	55	50	0.587
2350-24-24	38	1.1/2"	G 1 1/2	G 1 1/2	57.5	22	55	55	0.619
2350-32-32	50	2"	G 2	G 2	62.5	25	70	70	0.781