

Foot pumps

PPSE 12-15

Tech sheet

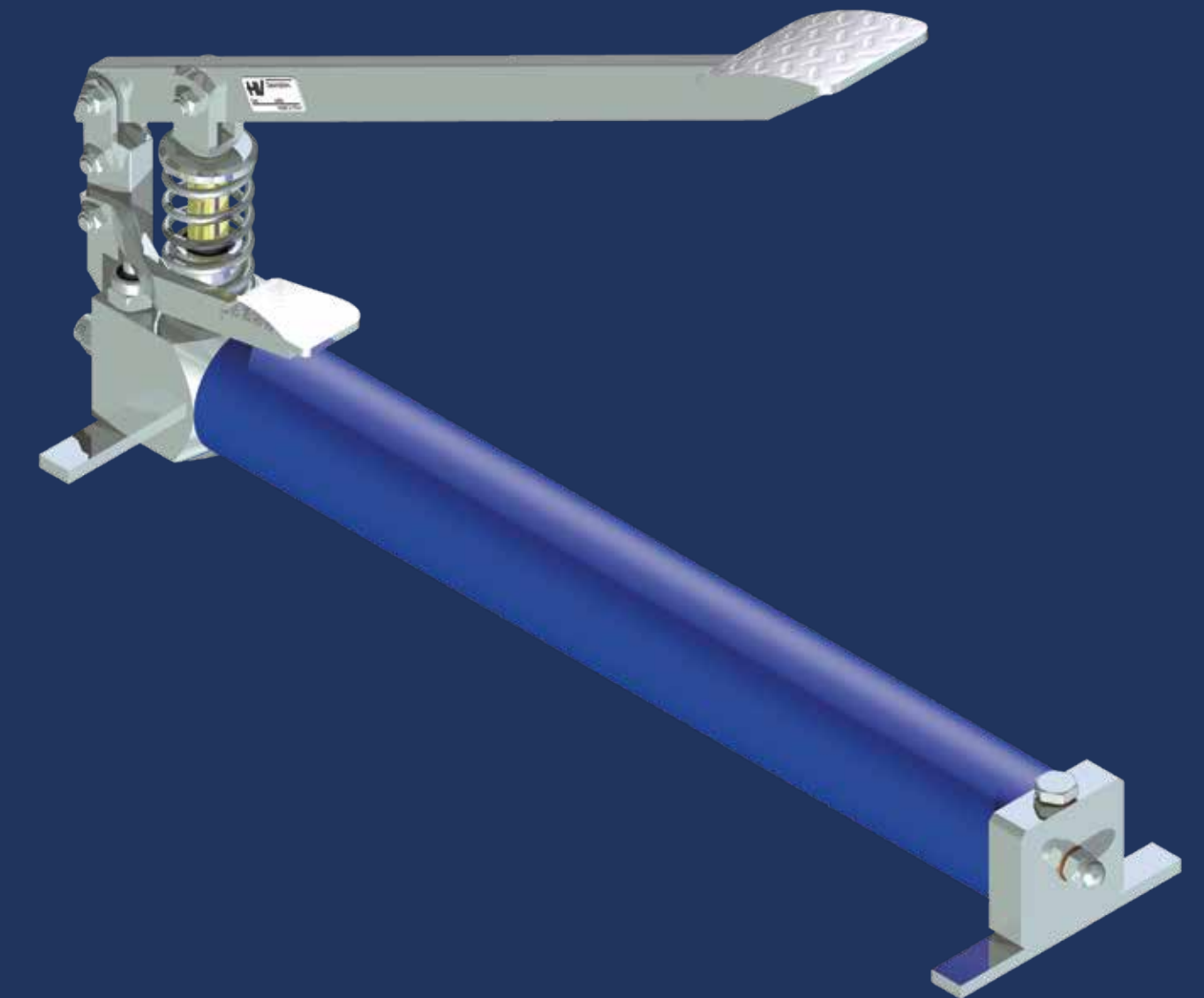
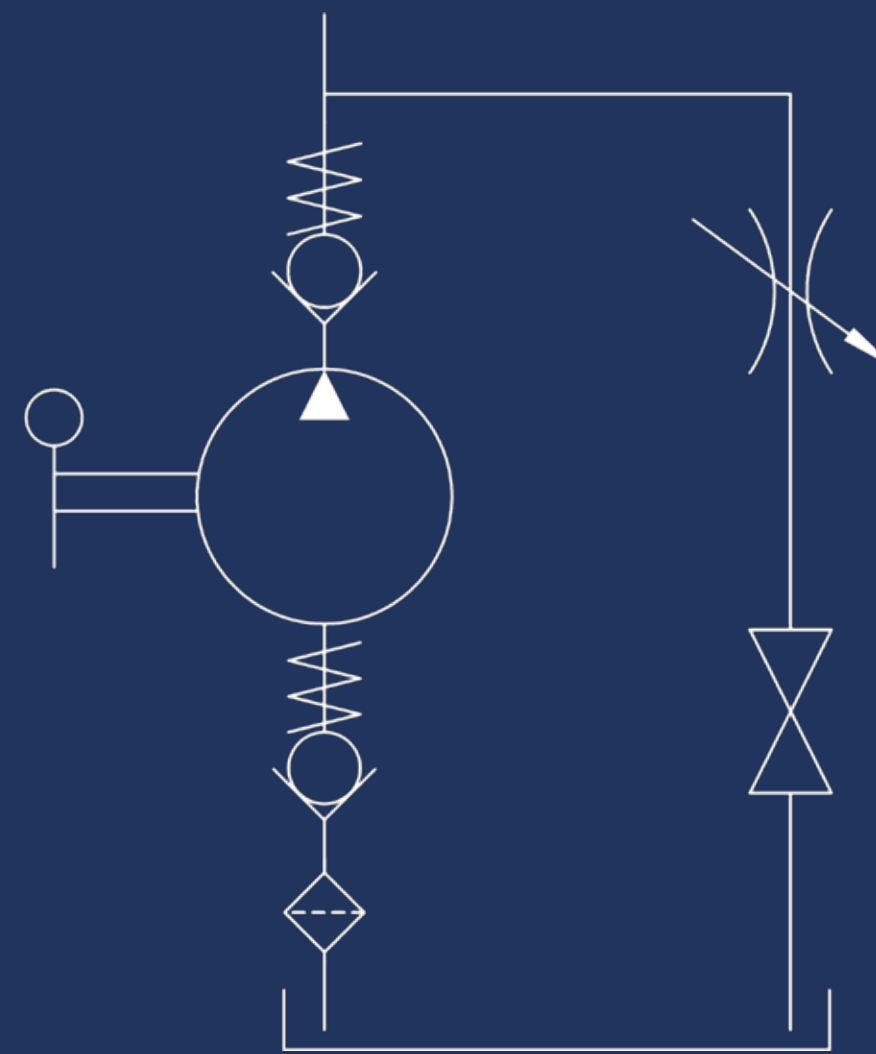
DETAILS

with release lever
single acting pump for a single acting cylinder with 1,5 lt tank

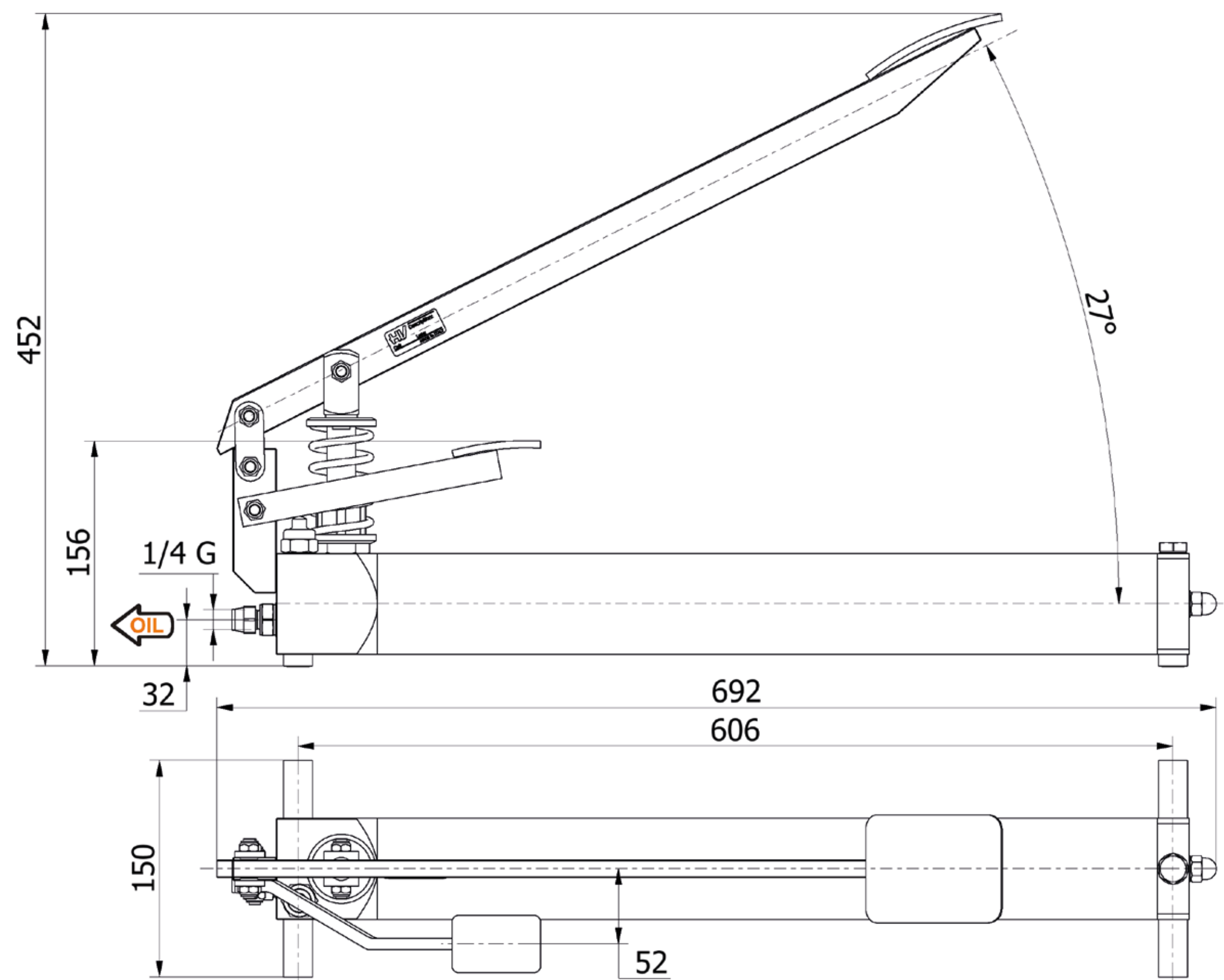
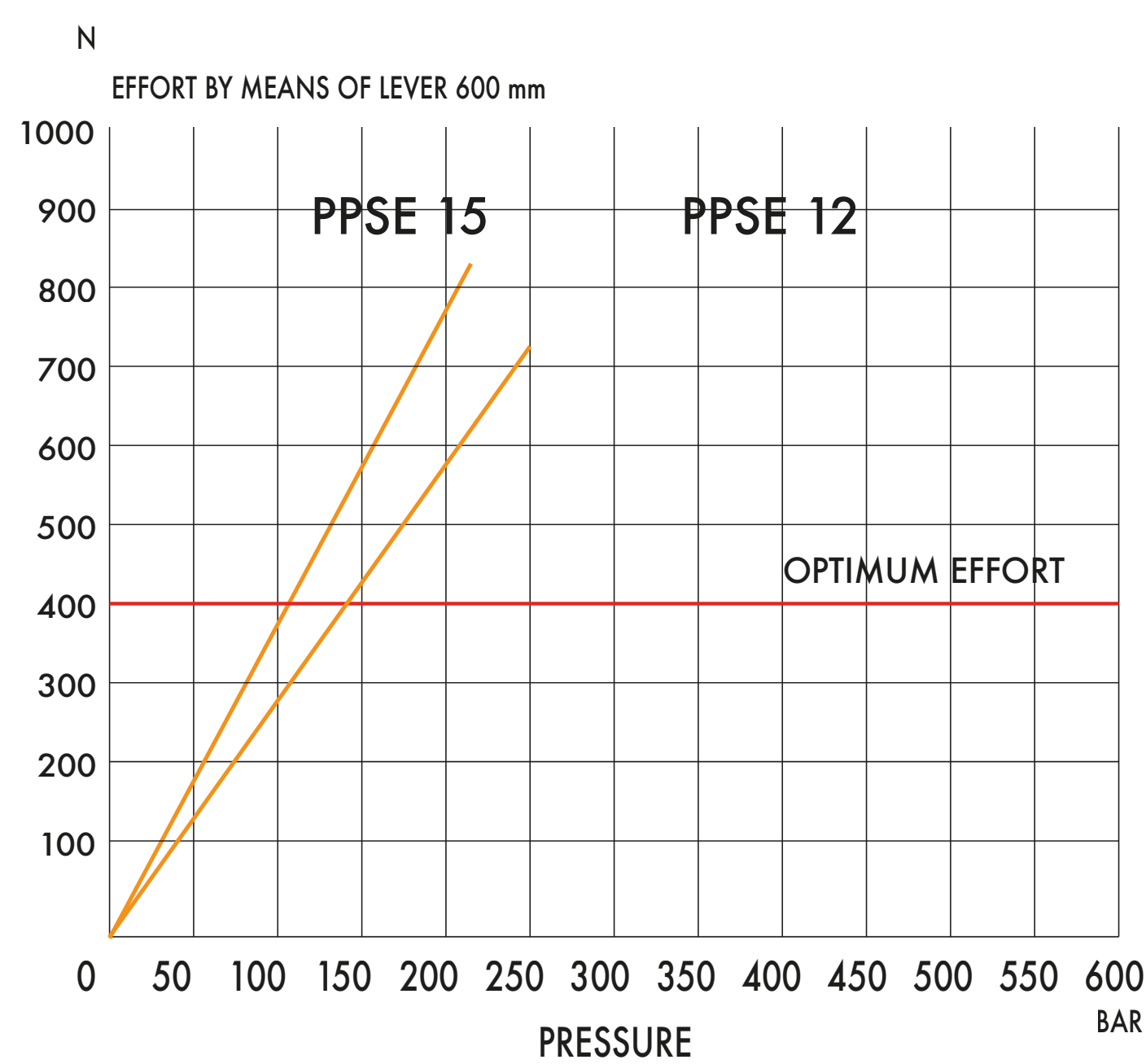
SPECIFICATIONS

White zinc plated steel body
Piston treated with Niploy
White zinc plated external parts
Standard colour blue

HYDRAULIC DIAGRAM



EFFORT DIAGRAM



DISPLACEMENT cm ³	A mm	B mm	C mm	D °	E °	ACTUAL DISPLACEMENT cm ³	PRESSURE BAR		MASS KG	CODE
							OPTIMAL	MAX		
12	--	--	--	--	--	11,445	140	250	10,000	6089.0000
15	--	--	--	--	--	14,130	110	220	10,000	6090.0000