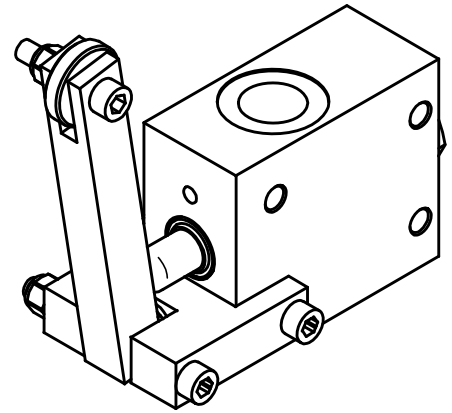
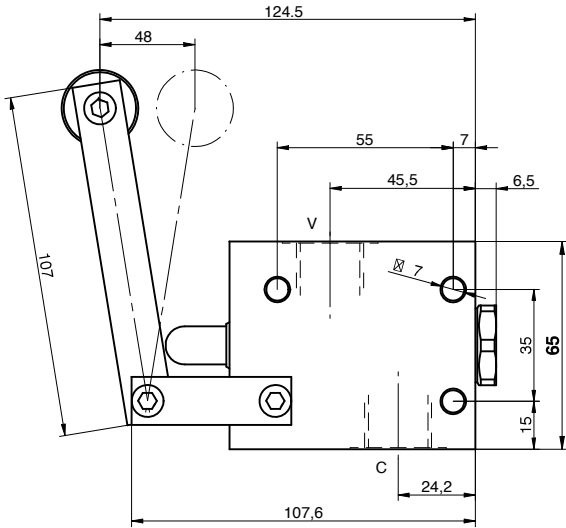
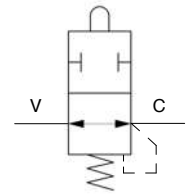


Dimensions

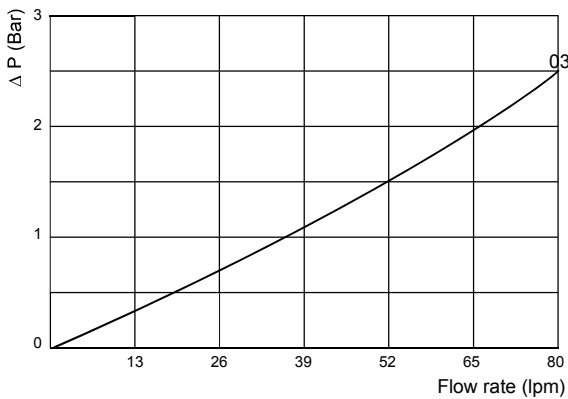


Hydraulic Symbol



Curves

V ↔ C



Features

| | |
|---------------------|--------------|
| Max Flow | 80 lpm |
| Max Pressure | 400 bar |
| Port Sizes | V - C: G 1/2 |

Materials: Zinc plated steel body

Ordering Code

ESOPCM03