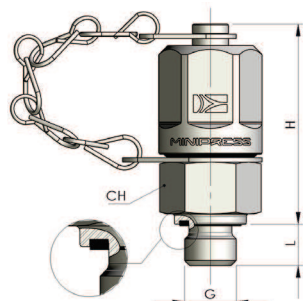




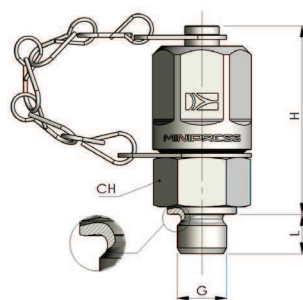
Minipresa filettata M 16x2

Threaded test coupling M 16x2

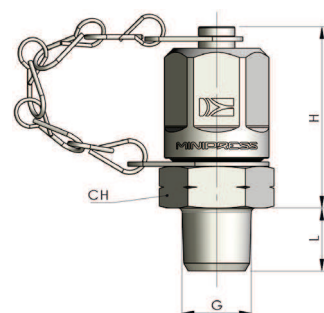


G	H	L	Ch	PN [bar]	Tenuta/Seal	Codice/Ref.
Metrica cilindrica / Metric parallel						
M 10x1*	37	8	17	630	Type <b>C</b>	S10410X10C
M 10x1.25	37	8	17	630		S10410X12C
M 10x1.5	37	12	17	630		S10410X15C
M 12x10	37	12	17	630		S10612X10C
M 12x1.5*	37	12	17	630		S10612X15C
M 14x1.5*	37	12	19	630		S10614X15C
M16x1.5*	37	12	22	630		S10616X15C
Gas cilindrica / B.S.P. parallel						
ISO 228 G 1/8" *	37	8	17	400	Type <b>C</b>	S10718G00C
ISO 228 G 1/4" *	37	12	19	630		S10714G00C
ISO 228 G 3/8" *	37	12	22	630		S10738G00C
ISO 228 G 1/2" *	37	14	27	630		S10712G00C

\* Disponibili in acciaio inossidabile/ Available in Stainless steel



G	H	L	Ch	PN [bar]	Tenuta/Seal	Codice/Ref.
Metrica cilindrica / Metric parallel						
M 8X1	37	8	17	400	Type <b>B</b>	S10308X10C
M 10X1	37	8	17	630		S10310X10C
M 12X1.5	37	12	17	630		S10312X15C
M 14X 1.5	37	12	19	630		S10314X15C
M 16X1.5	37	12	22	630		S10316X15C
M 18X1.5	37	12	27	630		S10318X15C
M 20X1.5	37	14	27	630		S10320X15C
M 22X1.5	37	14	27	630		S10322X15C
M 27X2	37	16	32	630		S10327X20C
Gas cilindrica / B.S.P. parallel - Forma B / Form B						
ISO 228 G 1/8"	37	8	17	400	Type <b>B</b>	S10418G00C
ISO 228 G 1/4"	37	12	19	630		S10414G00C
ISO 228 G 3/8"	37	12	22	630		S10438G00C
ISO 228 G 3/4"	37	16	32	630		S10434G00C
ISO 228 G 1/2"	37	14	27	630		S10412G00C
ISO 228 G 1 1/4"	59.5	20	50	160		S104114G0C
G 1/4" BS5200	37	11	19	630		S10714B00C



G	H	L	Ch	PN [bar]	Tenuta/Seal	Codice/Ref.
GAS conica / B.S.P tapered						
ISO 7/1 R 1/8" *	37	10	17	400	Type <b>D</b>	S10818280C
ISO 7/1 R 1/4" *	37	12	19	630		S10814190C
ISO 7/1 R 3/8"	37	14	22	630		S10838190C
NPTF / NPTF						
1/8"-27 NPTF*	37	10	17	400	Type <b>D</b>	S10918270C
1/4"-18 NPTF*	37	14	17	630		S10914180C
3/8"-18 NPTF*	37	14	22	630		S10938180C
1/2"-14 NPTF*	37	18	24	630		S10912140C

\* Disponibili in acciaio inossidabile/ Available in Stainless steel