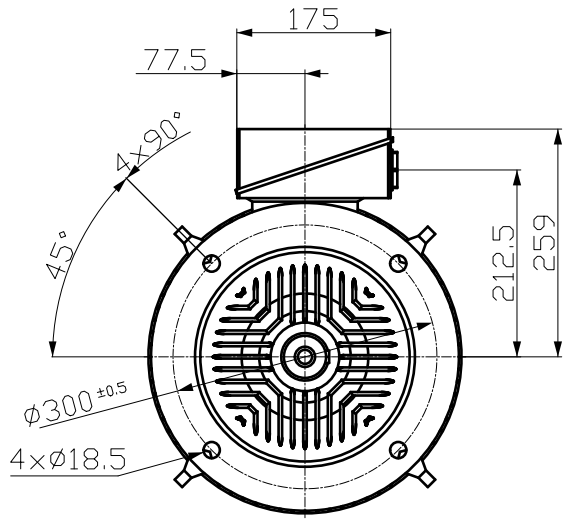
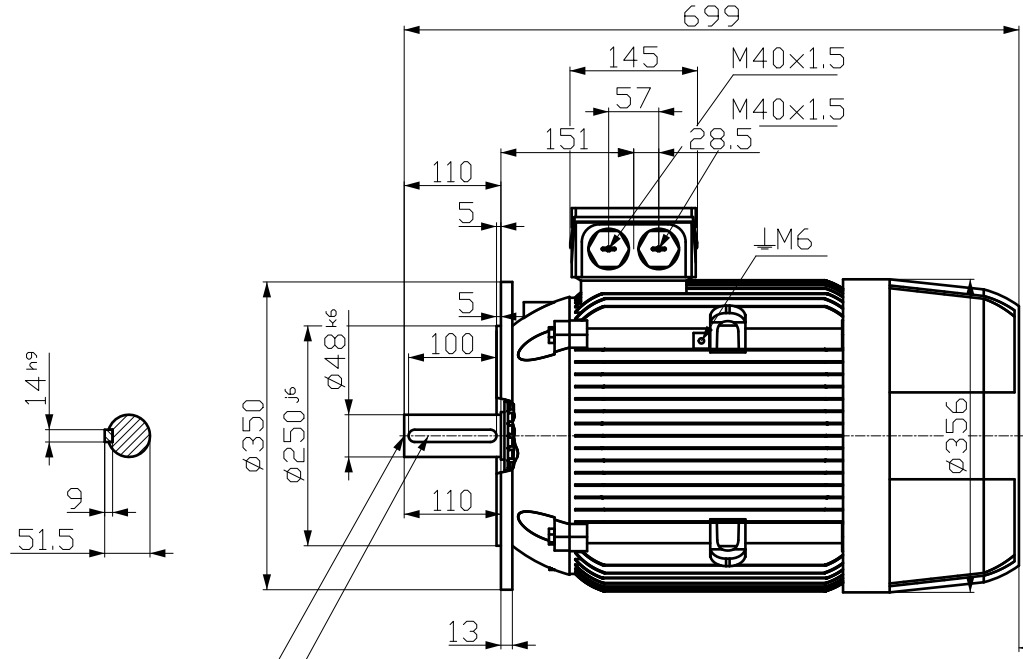


刀线管
 用转为
 文金
 图
 积
 01
 02
 03
 04
 05
 06
 07
 08
 09
 10
 11
 12
 13
 14
 15
 16
 17
 18
 19
 20
 21
 22
 23
 24
 25
 26
 27
 28
 29
 30
 31
 32
 33
 34
 35
 36
 37
 38
 39
 40
 41
 42
 43
 44
 45
 46
 47
 48
 49
 50
 51
 52
 53
 54
 55
 56
 57
 58
 59
 60
 61
 62
 63
 64
 65
 66
 67
 68
 69
 70
 71
 72
 73
 74
 75
 76
 77
 78
 79
 80
 81
 82
 83
 84
 85
 86
 87
 88
 89
 90
 91
 92
 93
 94
 95
 96
 97
 98
 99
 100



DIN 332-DS M16
 DIN 6885-1

Tolerance	Surface	Material	Weight	Scale
F50rEEF#00G#E0E	Author	ÖS	E	{ { }
E	Creator	T a : ^ & @ } *		
	Approval			
	Department			
	Change Order	MFB		Doc Type
	Doc. State	FEBEH		Paper Size
	Revision	Index		1st Language
				2nd Language
© INNMOTICS 2023	Project No	E	Ref No	E
				Sheet
				F of F

V&@a&@A) aV) * ^ A[i a @ a n) A
 V&@ B a @ a a a a A * a b & a A & @ * ^ A