

Hand pumps

PM2V 5-80 a-p-m-s

Tech sheet

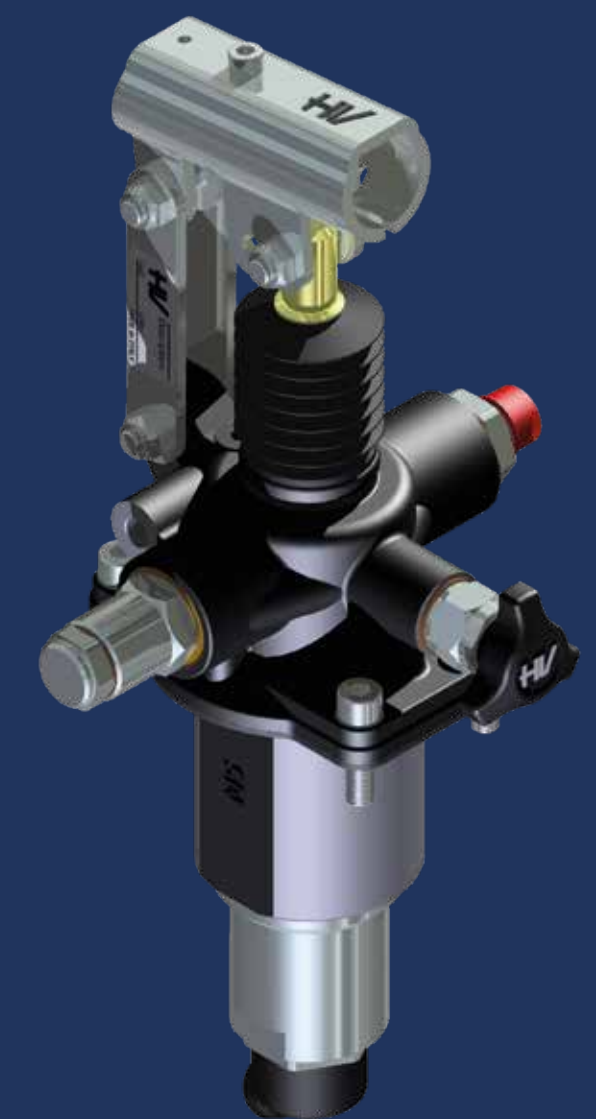
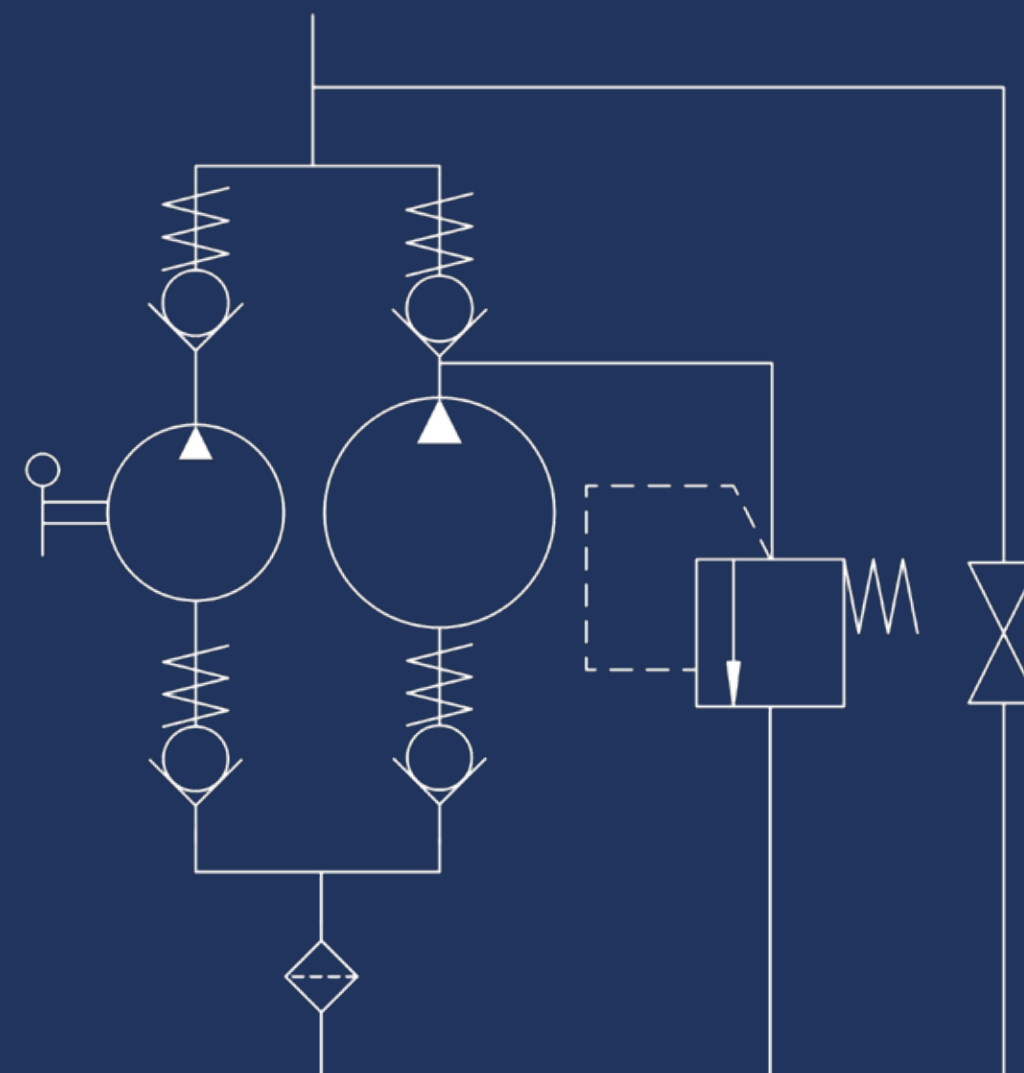
DETAILS

with release hand knob
with automatic control for the 1st speed
with pressure-gauge prearrangement
two speed hand pump for a single acting cylinder
for fixing to tank

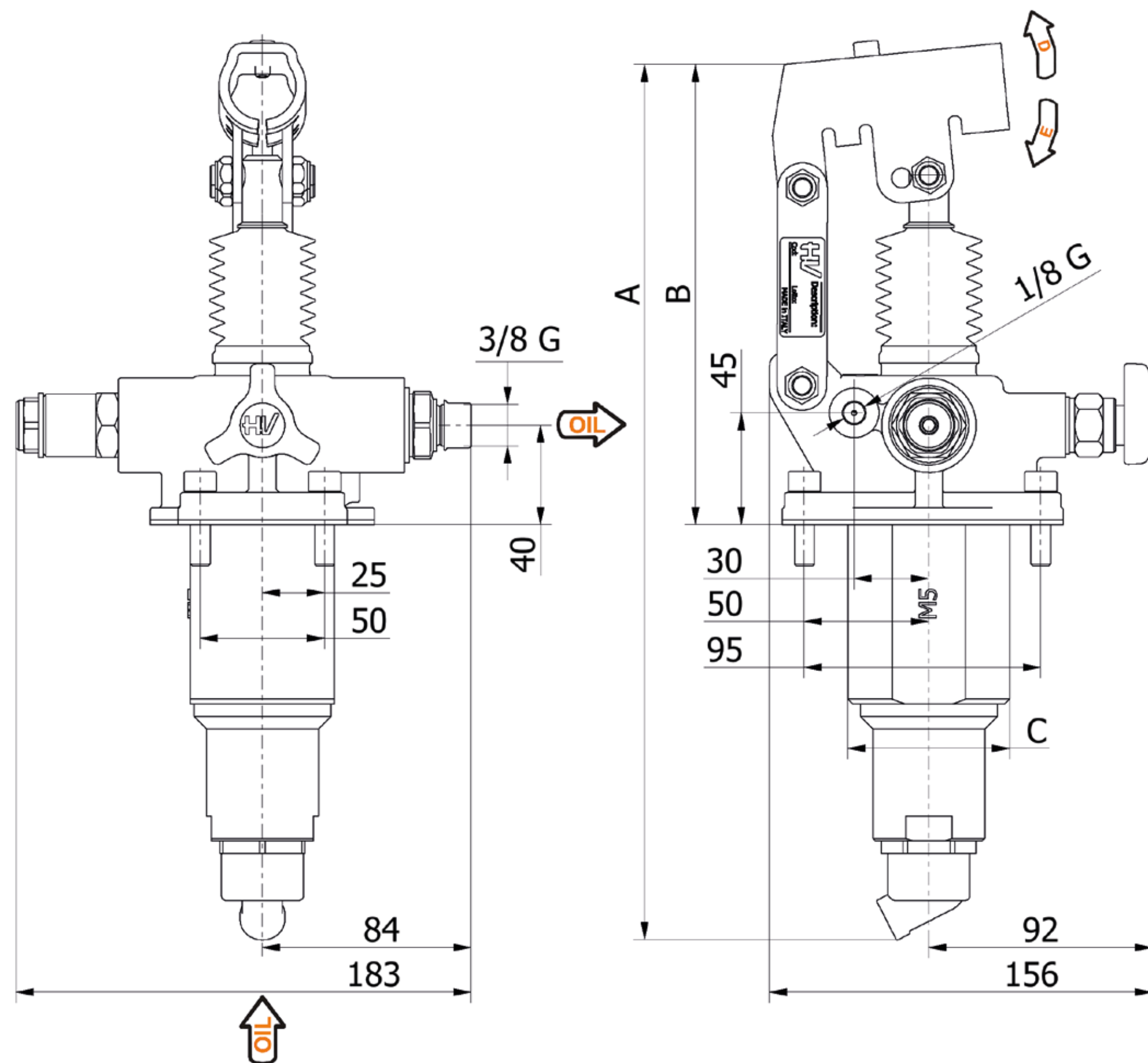
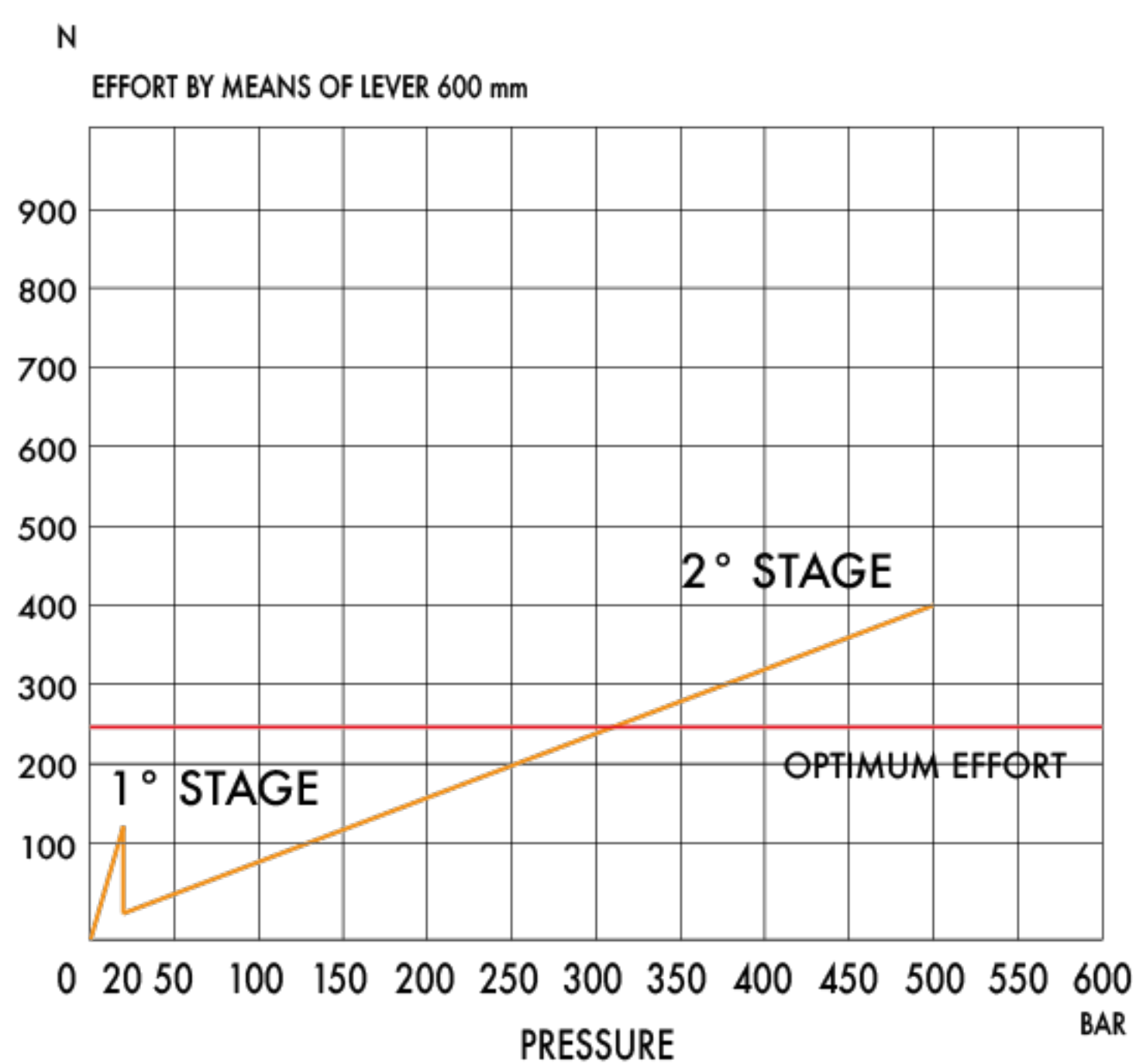
SPECIFICATIONS

Cast iron body
Piston treated with Niploy
White zinc plated support lever
Lever connection $\varnothing 27$
White zinc plated external parts
Standard colour black
Oil tank mounting kit included
With pressure-gauge
prearrangement, connection: 1/4 G

HYDRAULIC DIAGRAM



EFFORT DIAGRAM



DISPLACEMENT cm ³	A mm	B mm	C mm	D °	E °	DISPLACEMENT cm ³		PRESSURE BAR		MASS KG	CODE
						STAGE 1	STAGE 2	STAGE 1	STAGE 2		
5-80	354	165	65	30	32	80,588	5,036	20	500	6,200	6071.0135



HV Hydraulic s.r.l. | Take YOU to another WORLD

Head Office
Via dell'Agricoltura, 162 Loc. Castello di Serravalle
40053 VALSAMOGGIA (BO) Italy

Warehouse
Via del Lavoro, 111 e 135 Loc. Castello di Serravalle
40053 VALSAMOGGIA (BO) Italy