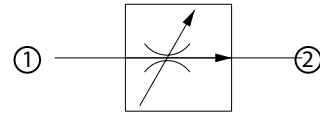


OPERATION

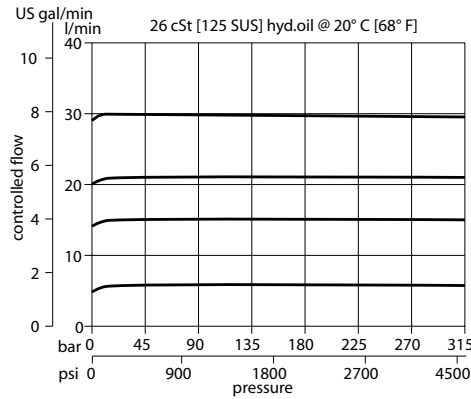
This valve is a limited adjustment, pressure compensated, restrictive-type flow control valve.

Schematic



SPECIFICATIONS

Theoretical performance



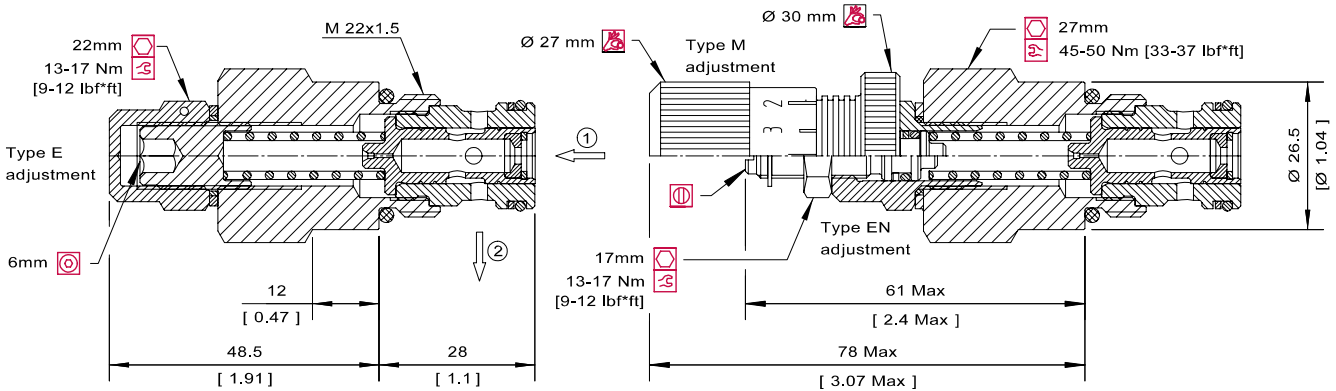
Specifications

Rated pressure	315 bar [4500 psi]
Max regulated flow	30 l/min [8 US gal/min]
Weight	0.19 kg [0.42 lb]
Cavity	NCS06/2

DIMENSIONS

Cross-sectional view

mm in



ORDERING INFORMATION

VR 06 - EN-1.25 - 00 - V

Adjustment

E = Internal screw
 EN = External screw
 M = Handwheel

Orifice size

mm	L/min	[US gal/m]
1.25	1-4	[0.3-1.1]
2.00	3-10	[0.8-2.6]
3.00	6-20	[1.6-5.3]
3.50	10-30	[2.6-7.9]

other orifices available
 consult factory

Seals

V = Viton
 Omit = Buna-N

Seal kit

230000380
 230000060

Housing and ports

00 = No Housing
 DG3/8 = AL, 3/8 BSP
 DG1/2 = AL, 1/2 BSP
 DG6S = AL, #6 SAE
 DG8S = AL, #8 SAE
 Other housings available

Housing P/N

No Housing
 NCS06/2-DG-3/8
 NCS06/2-DG-1/2
 NCS06/2-DG-6S
 NCS06/2-DG-8S