



HFP series

HFP200

Hydraulic pump, pedal operated, single speed, 11.5 cm³ oil flow per stroke

Series: HFP

Product line: Industrial tools, lifting systems, garages, hobby, emergency, locking systems, hydraulic equipment

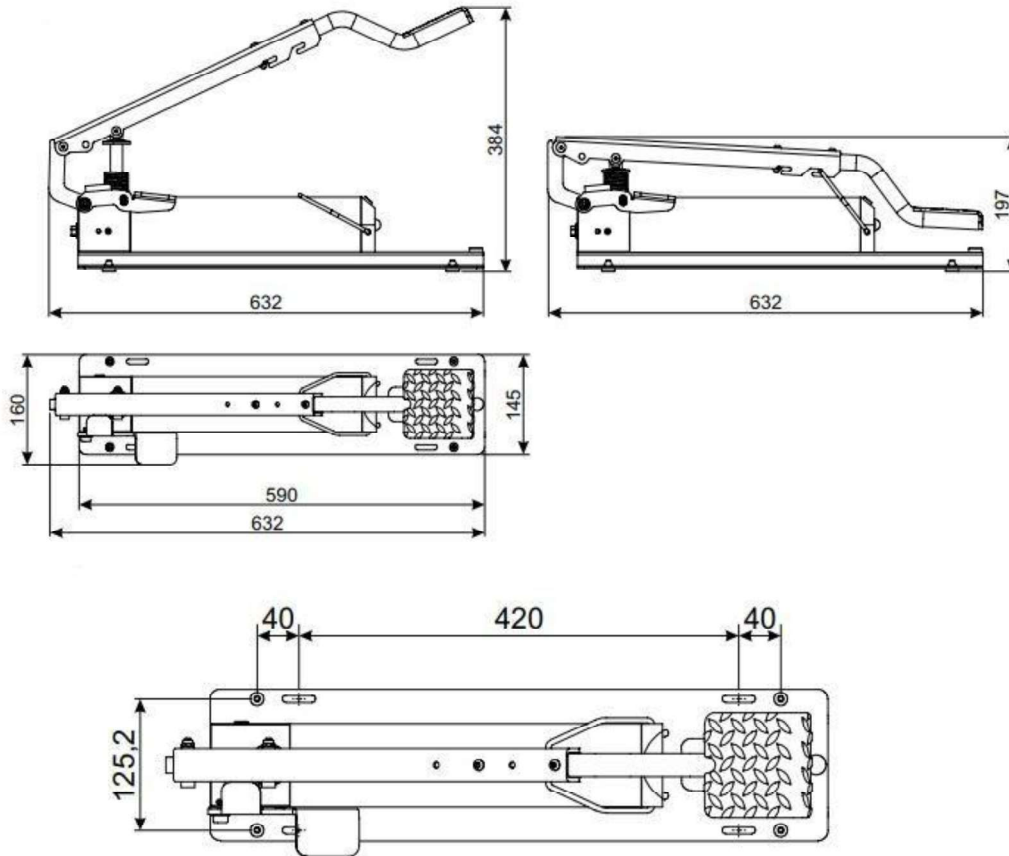
- Operated through pedal
- Steel construction for maximum strength and durability
- Compatibility with single-acting cylinders with small quantity of oil and low output pressures
- Compact and sturdy construction for heavy duty and durability
- Low lever effort for easy use
- It does not require a pneumatic network, compressors or any other devices for operation
- Easy to handle and transport
- Versatile use in both horizontal & vertical positions
- Adjustable safety valve to protect against any possible overloads
- Slots on the base support for an easy installation on the application
- Lightweight

Technical features:

Max working pressure (bar):	200	
Max working pressure 2nd stage (bar):	/	
Cylinder compatibility:	Single Acting	
Tank capacity (L):	1,4	
Usable oil (L):	1,2	
Oil flow per stroke (cm ³):	11,5	
Standard oil port thread:	G3/8	
Max effort on the lever (kg):	69	
Piston stroke (mm):	44	
Valve function:	manual	
Energy source:	manual	
Size:	mm 632 x 160 x 197	
Weight (kg):	8	

Series comparison:

Type	Speed	Cylinder	Working Pressure (I° Stage)	Working Pressure (II° Stage)	Tank (L)	Usable Oil (L)	Oil flow (l/min) (I° Stage)	Oil flow (l/min) (II° Stage)	Weight (Kg)
HFP200	Single	SE	200	/	1,3	1,3	11,5	/	9,5
HFP2STSE	Double	SE	50	700/850/1000	1	1	12	2	8,5
HFP2STDE	Double	DE	50	700/850/1000	1	1	12	2	8,2
HFP2STUS	Double	SE	50	700	0,5	0,46	4,6	0,92	3,9

Size:**To order:**

- P/N 927000070 HFP200N 200BAR G3/8 BELL

Spare parts:

- P/N 800050230 SEAL KIT HFP200

Accessories:

- Hose Flex
- Pressure gauge
- Support feet