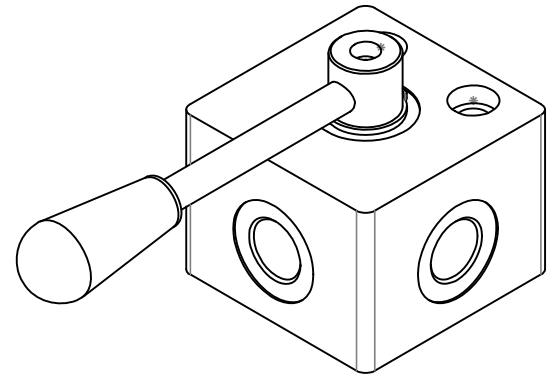
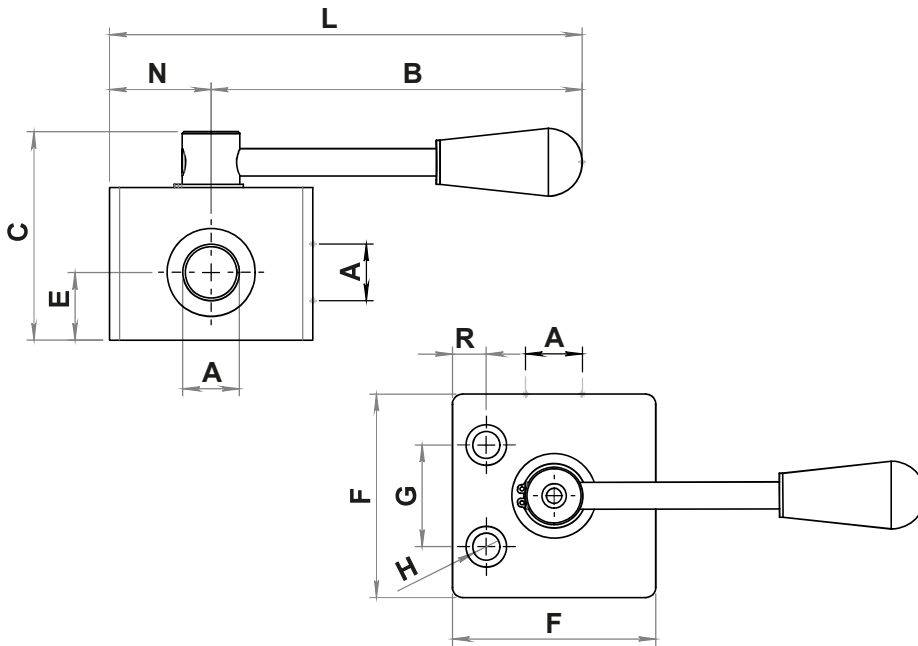
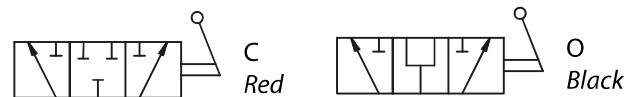


### Dimensions



Size	A BSP	B	C	E	F	G	H	L	N	R	Weight kg
01	1/4	127	68	20	60	30	8,5	155	30	10	1,1
02	3/8	127	68	20	60	30	8,5	155	30	10	1,1
03	1/2	127	68	20	60	30	8,5	155	30	10	1,06
04	3/4	127	68	20	80	32	8,5	165	40	14	1,7
05	1	127	68	20	100	37	8,5	187	50	14	3,5

### Hydraulic Symbol



### Features

Size	01	02	03	04	05
Max Pressure	400 bar	400 bar	400 bar	400 bar	400 bar
Flow	40 lpm	60 lpm	90 lpm	120 lpm	190 lpm
Ports	G 1/4	G 3/8	G 1/2	G 3/4	G 1

### Ordering Code

**DEV32**    - -    -

	Port Size BSP
01	1/4
02	3/8
03	1/2
04	3/4
05	1

#### Hydraulic symbol

<b>O</b>	Open Center
<b>C</b>	Closed Center

**Ordering Code Example: DEV3203C** - 1/2" BSP Ports, closed center.