

**Hand pumps**

**PMD 6-12-25-45 L-s**

**Tech sheet**

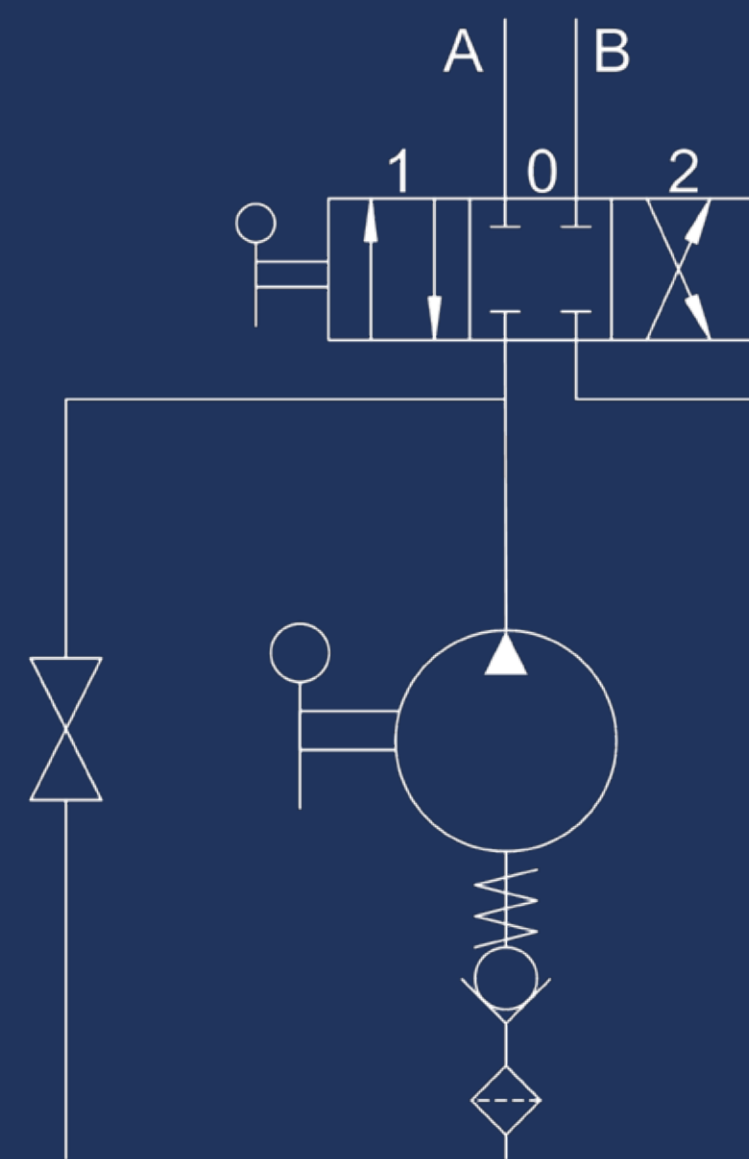
**DETAILS**

with 4/3 flow divider  
with release lever  
double acting hand pump for a double acting cylinder  
for fixing to tank

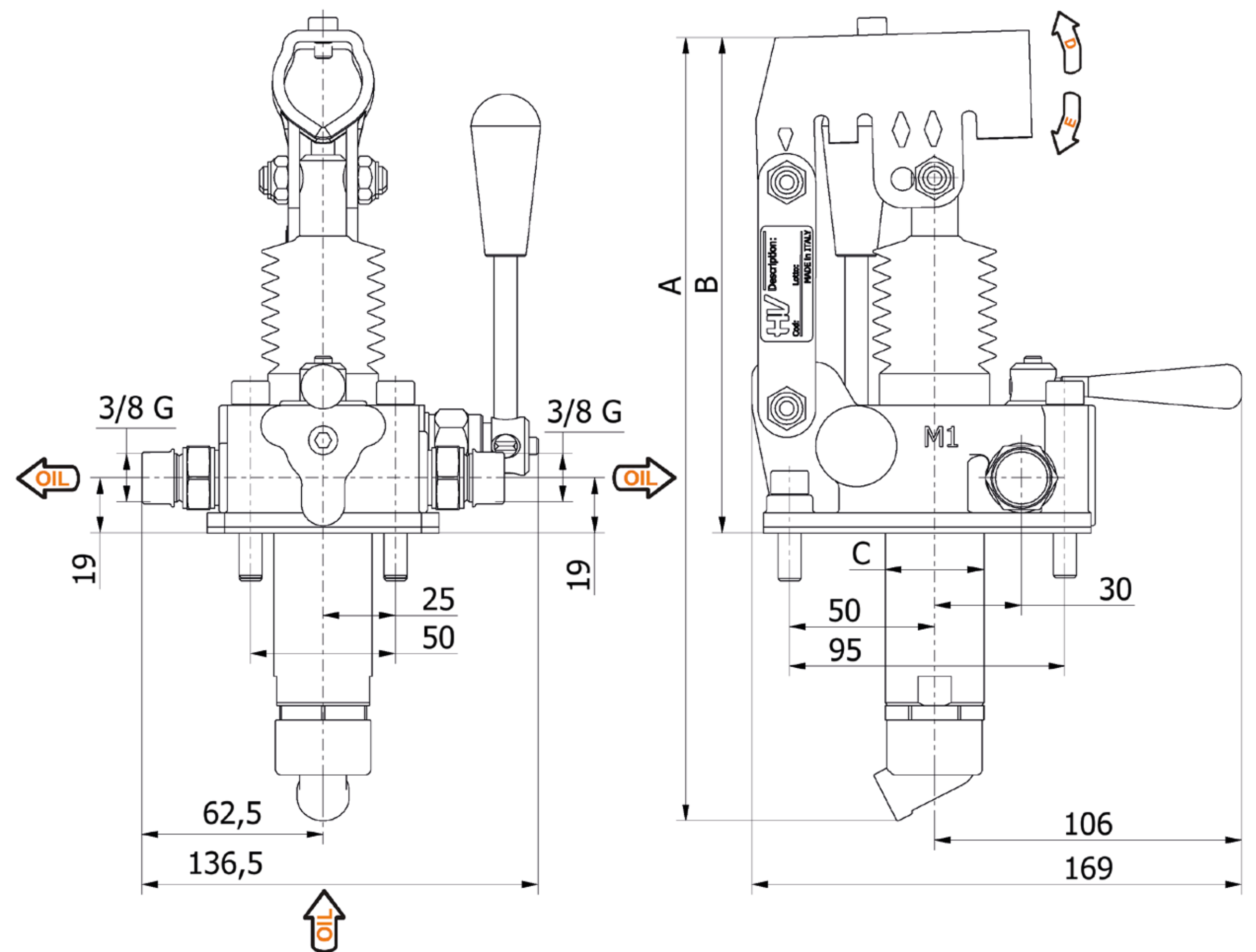
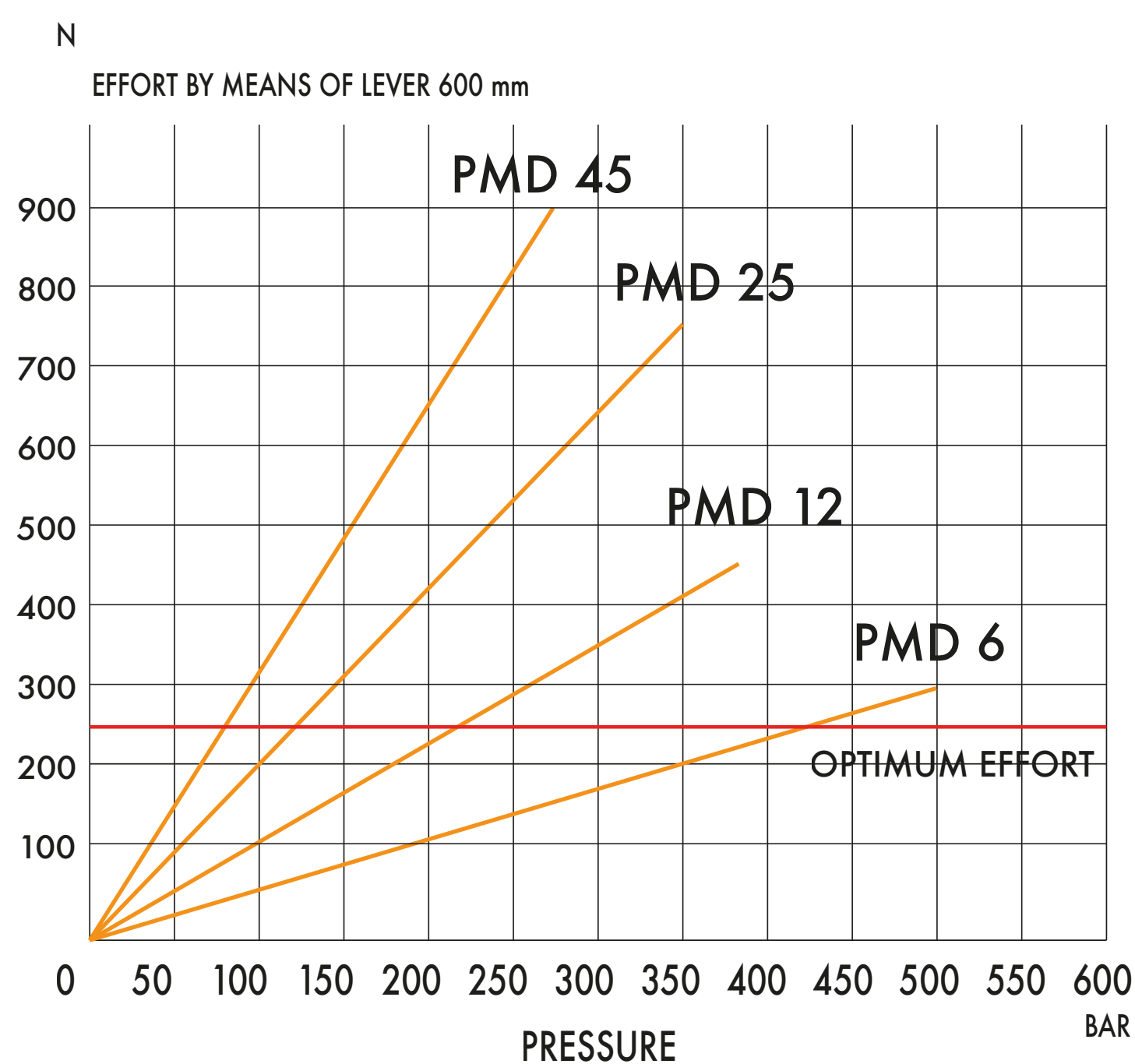
**SPECIFICATIONS**

Cast iron body  
Piston treated with Niploy  
White zinc plated support lever  
Lever connection  $\varnothing$  27  
White zinc plated external parts  
Standard colour black  
Oil tank mounting kit included

**HYDRAULIC DIAGRAM**



**EFFORT DIAGRAM**



DISPLACEMENT cm <sup>3</sup>	A mm	B mm	C mm	D °	E °	ACTUAL DISPLACEMENT cm <sup>3</sup>	PRESSURE BAR		MASS KG	CODE
							OPTIMAL	MAX		
6	253	166	34	26	31	6,970	420	500	3,400	6054.0047
12	253	166	34	26	31	12,095	220	380	3,400	6055.0047
25	273	172	34	30	30	25,280	120	350	3,450	6056.0047
45	283	172	40	45	33	44,532	80	280	3,500	6057.0047



**HV Hydraulic s.r.l.** | Take YOU to another WORLD

**Head Office**  
Via dell'Agricoltura, 162 Loc. Castello di Serravalle  
40053 VALSAMOGGIA (BO) Italy

**Warehouse**  
Via del Lavoro, 111 e 135 Loc. Castello di Serravalle  
40053 VALSAMOGGIA (BO) Italy