

Foot pumps

PPSE 12-15 byB

Tech sheet

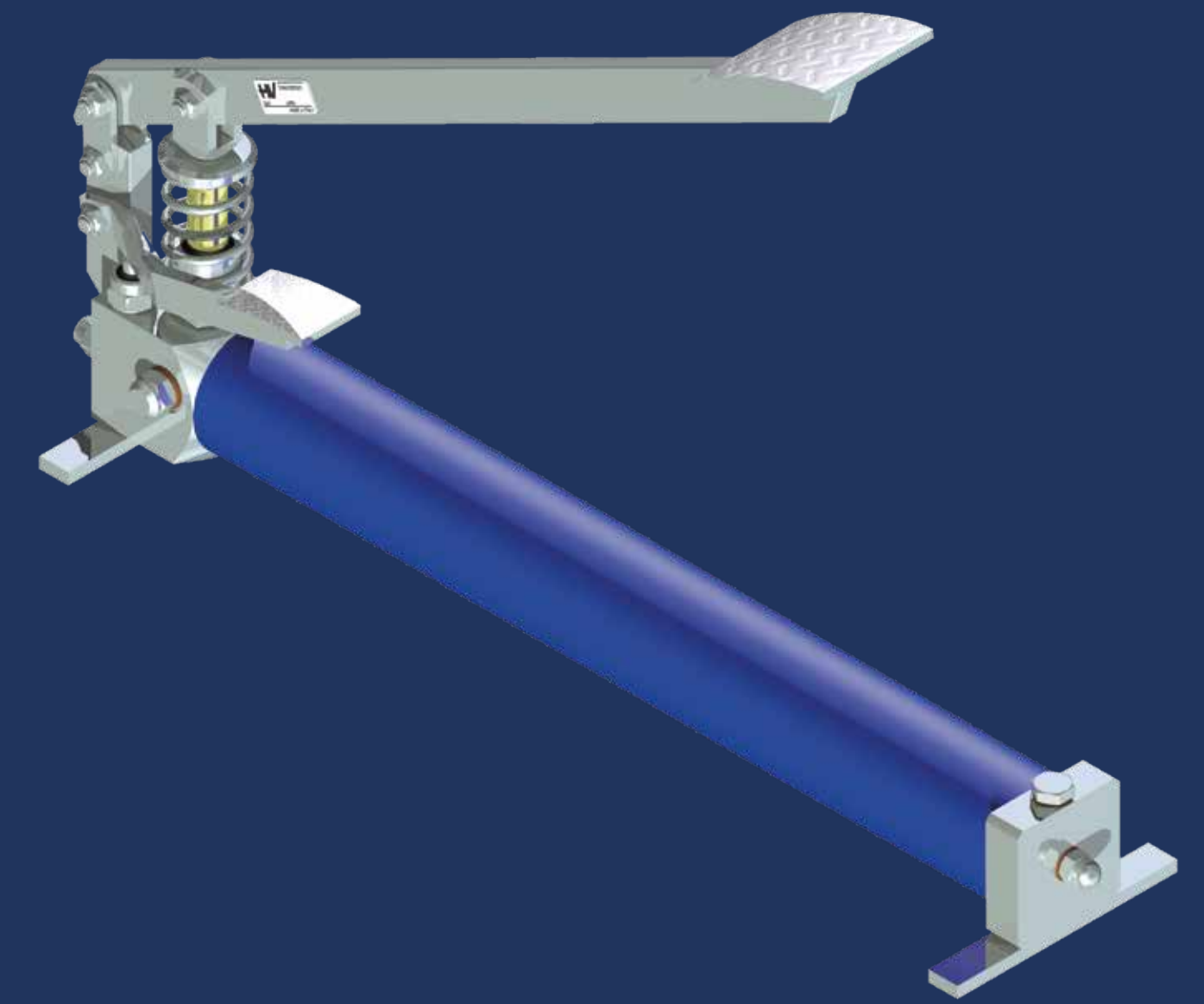
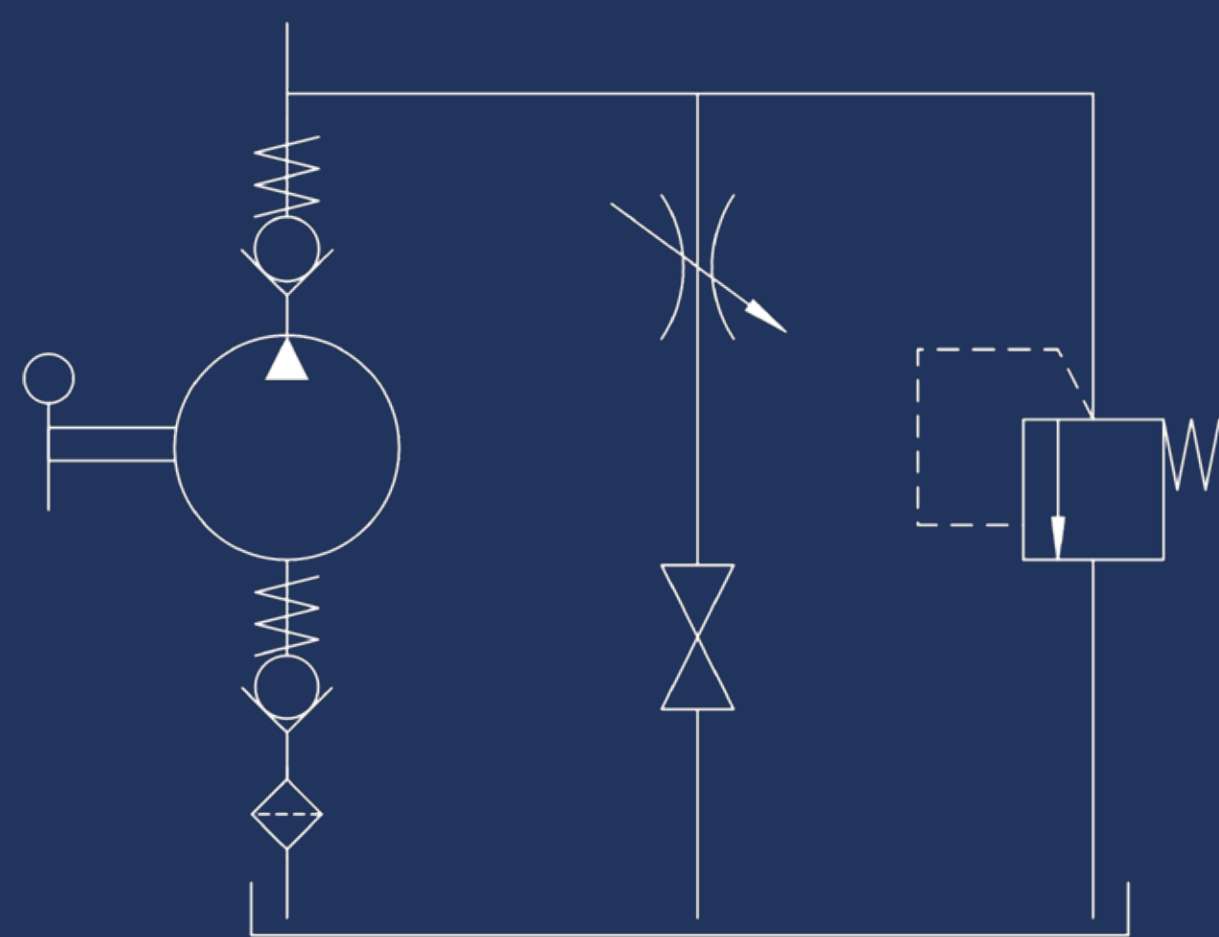
DETAILS

with release lever
with pressure relief valve
single acting pump for a single acting cylinder with 1,5 lt tank

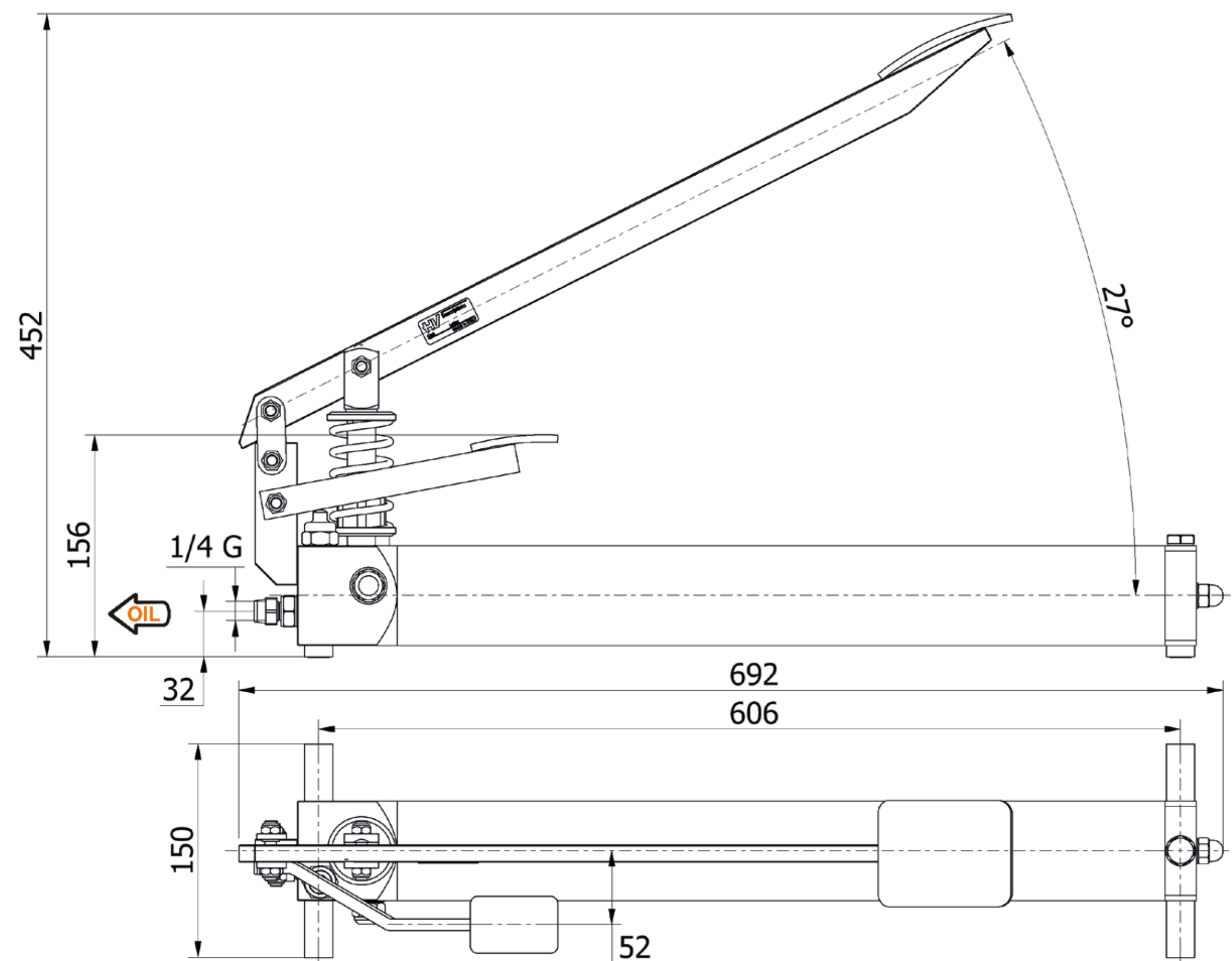
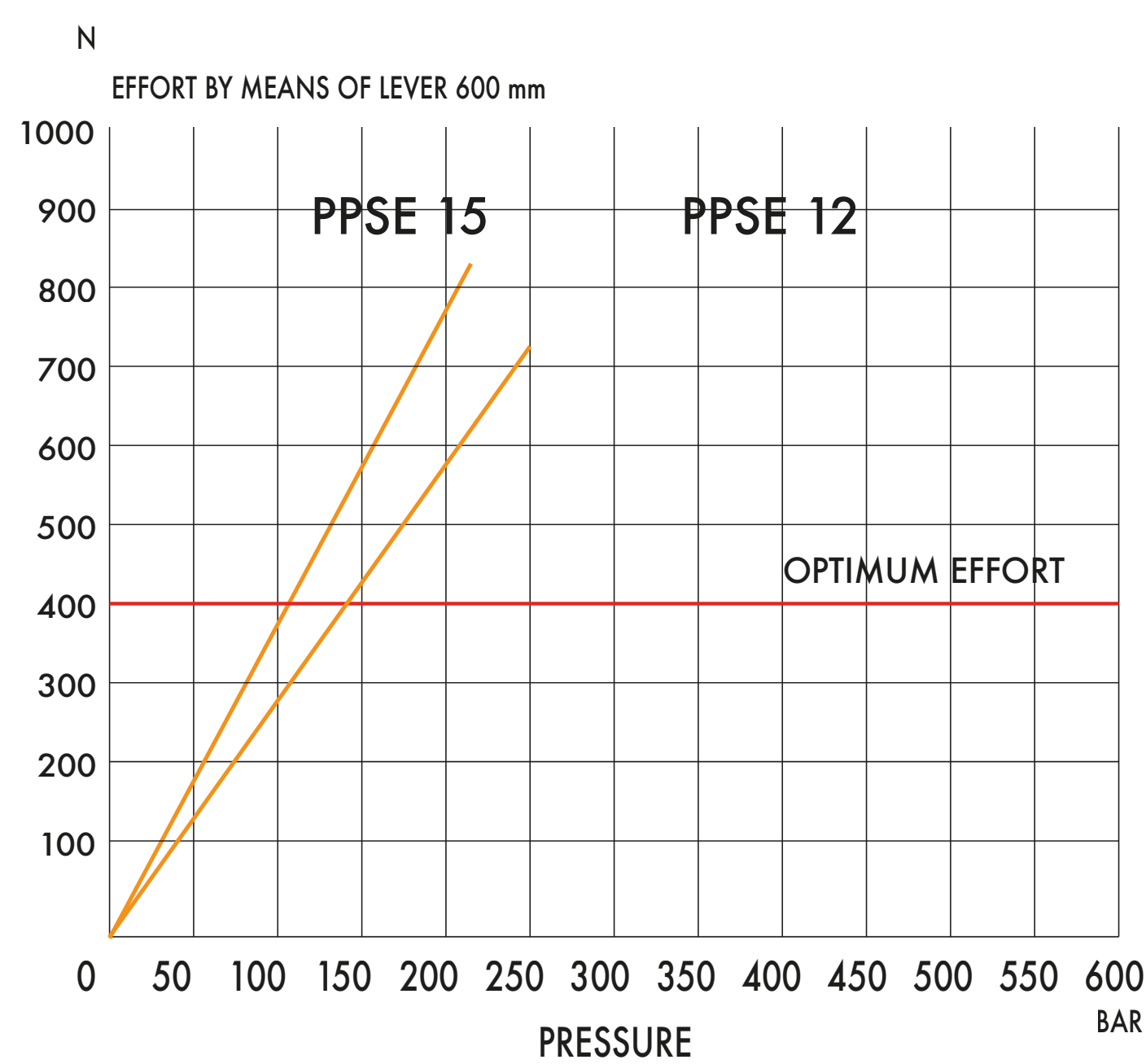
SPECIFICATIONS

White zinc plated external parts
Standard colour blue
Pressure relief valve standard
setting: 200 bar

HYDRAULIC DIAGRAM



EFFORT DIAGRAM



| DISPLACEMENT cm ³ | A mm | B mm | C mm | D ° | E ° | ACTUAL DISPLACEMENT cm ³ | PRESSURE BAR | | MASS KG | CODE |
|---------------------------------|---------|---------|---------|--------|--------|---|--------------|-----|------------|-----------|
| | | | | | | | OPTIMAL | MAX | | |
| 12 | -- | -- | -- | -- | -- | 11,445 | 140 | 250 | 10,000 | 6089.0001 |
| 15 | -- | -- | -- | -- | -- | 14,130 | 110 | 220 | 10,000 | 6090.0001 |
| | | | | | | | | | | |
| | | | | | | | | | | |
| | | | | | | | | | | |
| | | | | | | | | | | |