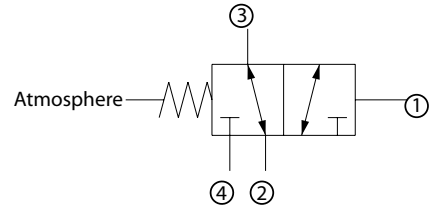


**OPERATION**

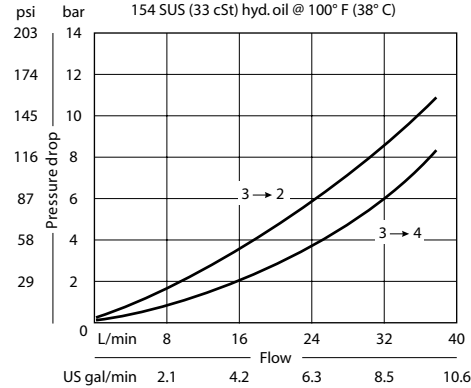
This valve is a 3-way hydraulically piloted spool with atmospheric vent.

**Schematic**



**SPECIFICATIONS**

**Theoretical performance**



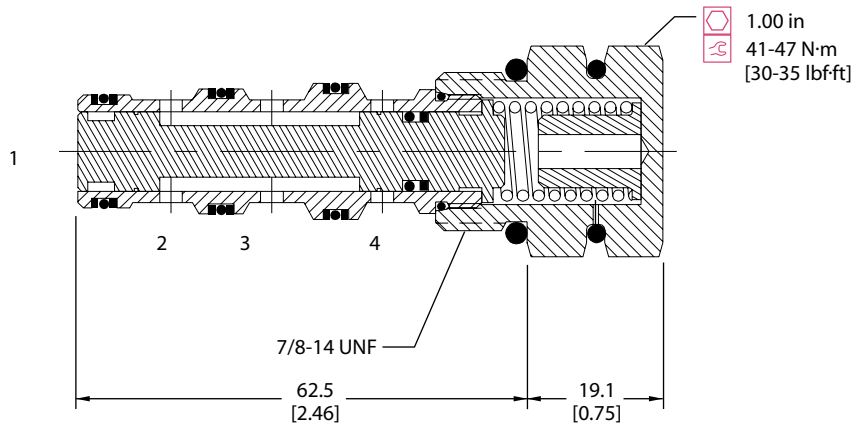
**Specifications**

Rated pressure	210 bar [3000 psi]
Rated flow at 7 bar [100 psi]	30 l/min [8 US gal/min]
Weight	0.15 kg [0.33 lb]
Cavity	SDC10-4

**DIMENSIONS**

mm [in]

**Cross-sectional view**



**ORDERING INFORMATION**

CP720 - 1 - B - 8S - 150 - S1

**Seals**

B = Buna-N  
 V = Viton

**Housing and ports**

0 = No Housing  
 L3B = AL, 3/8 BSP  
 L4B = AL, 1/2 BSP  
 6S = AL, #6 SAE  
 8S = AL, #8 SAE  
 Other housings available

**Housing P/N**

No Housing  
 SDC10-4-L-3B  
 SDC10-4-L-4B  
 CP10-4-6S  
 CP10-4-8S

**Spool seals**

S1 = Seal at top of spool  
 S2 = Seals at both ends of spool

**Shift pressure**

	bar	[psi]
040	= 2.8	[40]
050	= 3.5	[50]
080	= 5.5	[80]
125	= 8.6	[125]
150	= 10.3	[150]