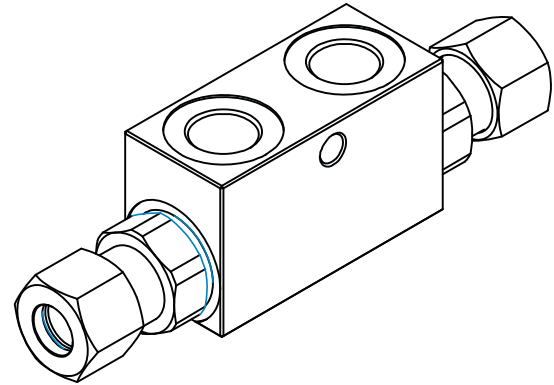
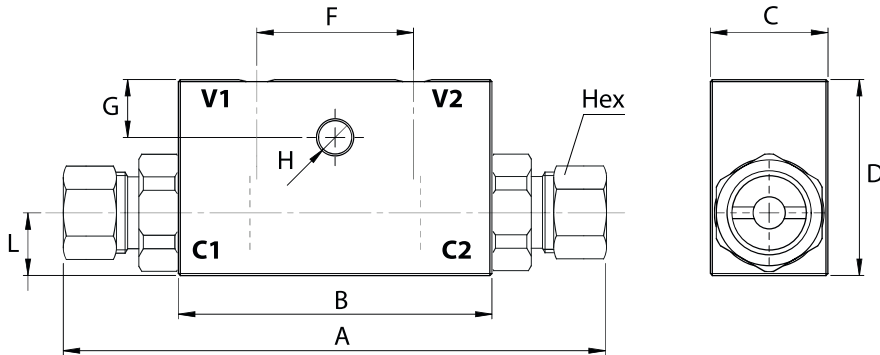
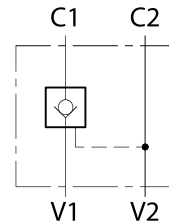


### Dimensions

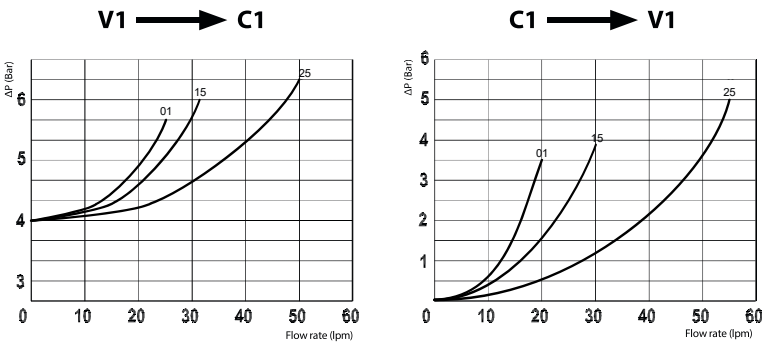


| Size      | A   | B  | C  | D  | V1-V2<br>BSP | C1-C2 | F  | G  | H   | L  | Hex | Weight<br>kg |
|-----------|-----|----|----|----|--------------|-------|----|----|-----|----|-----|--------------|
| <b>01</b> | 138 | 68 | 30 | 40 | 1/4          | 12    | 38 | 7  | 7   | 13 | 22  | 0,65         |
| <b>15</b> | 138 | 68 | 30 | 40 | 3/8          | 12    | 38 | 7  | 7   | 13 | 22  | 0,62         |
| <b>25</b> | 166 | 80 | 30 | 50 | 1/2          | 15    | 40 | 15 | 8,5 | 16 | 27  | 0,90         |

### Hydraulic Symbol



### Curves



### Features

| Size                           | 01    | 15    | 25  |
|--------------------------------|-------|-------|-----|
| <b>Max Pressure (bar)</b>      | 350   | 350   | 300 |
| <b>Max Flow (lpm)</b>          | 25    | 30    | 50  |
| <b>Pilot Ratio</b>             | 1:4.6 | 1:4.6 | 1:4 |
| <b>Cracking Pressure (bar)</b> | 4     | 4     | 4   |

**Materials:** Zinc plated steel body, hardened steel inner parts.

### Ordering Code

**LVST-DIN** - -

|           | Size BSP |
|-----------|----------|
| <b>01</b> | 1/4      |
| <b>15</b> | 3/8      |
| <b>25</b> | 1/2      |

**Ordering Code Example:** LVST-DIN15 = 3/8 BSP - DIN2353 12l ported, 30 lpm.