

Sequence and Unloading Valves

VDP 06/4201

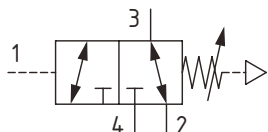
Sequence Valve, 3-Way, Spool Type, Hydraulic Pilot, Atmospheric Vent

315 bar [4600 psi] • 23 l/min [6 US gpm]

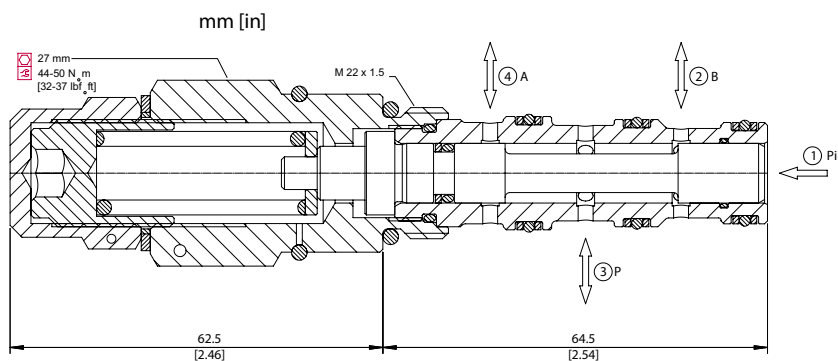
DESCRIPTION AND OPERATION

This is a hydraulically pilot operated spool valve where port 4 is closed and port 2 is open to port 3 in the neutral position. Pilot pressure is applied to port 1 and the spring chamber is referenced to atmosphere. When the pressure on port 1 reaches the setting, port 2 will begin to close and port 4 is opened to port 3. This valve can be used normally closed, normally open or as a diverter valve.

SCHEMATIC



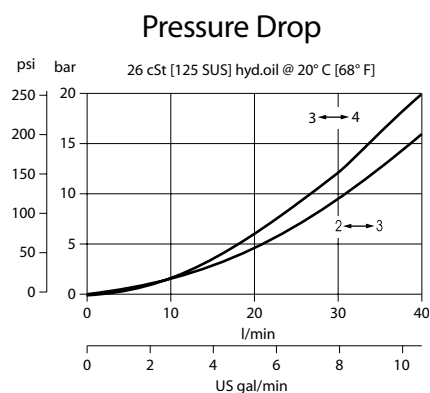
DIMENSIONS



PERFORMANCE DATA

Rated pressure	315 bar [4600 psi]
Rated flow @ 7 bar [100 psi]	23 l/min [6 US gpm]
Weight	0.28 kg [0.62 lb]
Cavity	NCS06/4

PERFORMANCE CURVES



MODEL CODE

VDP 06 /4201 - M - 1 - 00 - V - 20

Adjustment Option

E - Internal
EN - External
M - Calibrated Knob

Pressure Range

Code	Bar	Psi
1	15-40	[220-580]
Standard Setting	Not set	
2	30-120	[430-1740]
Standard Setting	Not set	
3	105-190	[1520-2750]
Standard Setting	Not set	

Pressure Setting

Code-Pressure setting in bar 5 bar increments within specified Pressure Range)
XXX-Standard setting (see Pressure Range for value)
Example:

Seal Option

Code	Seal kit	Code	Bar	Psi
Omit-Buna - N	230000080	20	20	[290]
V-Viton	230000350			

Housing

Code	Ports & Material	Housing Model Code
00	No Housing	No Housing
L3/8	AL, 3/8 BSP	NCS06/4-L-3/8
L1/2	AL, 1/2 BSP	NCS06/4-L-3/8
L65	AL, #6 SAE	NCS06/4-L-65
L85	AL, #8 SAE	NCS06/4-L-85

* Aluminum bodies are to be used for pressures less than 210 bar [3000 psi].
* Additional housings available