

# SAP 054-075 series

Nylon air breather filter

# SA series

Metal air breather filter



## Technical data

### Air breathers & Filler plugs

#### Nylon air breather filter Flow rate up to 400 l/min

SAP is a range of plastic air breathers for protection of the tank against the solid contamination contained into the air. They are usually directly fitted on the tank.

#### Available features:

- Male threaded connections up to 3/4", for a maximum flow rate of 400 l/min
- Replaceable filter element
- Fine cellulose filtration, to get a good cleanliness level into the reservoir
- Polyester media is an option for heavy environmental conditions (high humidity, sand ...)

#### Common applications:

- Mobile machines (construction and agriculture machines)
- Industrial equipment

### Flow rate $\Delta p$ 0.02 bar

	Flow rate [l/min]	
	Filtration rating	L03
<b>SAP054</b>	200	250
<b>SAP075</b>	350	400

### Materials

- Cover: Nylon
- Connection: Nylon
- Filter element: Resin impregnate paper

### Temperature

From -25 °C to +100 °C

### Weight

SAP 054 - 0.06 kg  
SAP 075 - 0.15 kg



## Designation & Ordering code

### COMPLETE AIR BREATHER

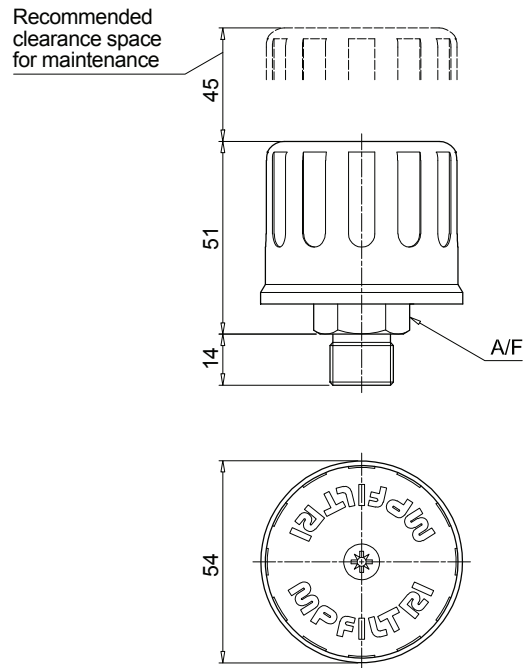
Series and size	Configuration example : SAP054 G2 L10 A P01				
<b>SAP054</b>					
<b>SAP075</b>					
Connections to the tank	SAP054	SAP075			
<b>G1</b>	G 3/8"	G 1/2"			
<b>G2</b>	G 1/2"	G 3/4"			
Filtration rating					
<b>L03</b>	Resin impregnate paper	3 µm			
<b>L10</b>	Resin impregnate paper	10 µm			
Seals					
<b>A</b>	NBR				
			Execution		
			<b>P01</b>	MP Filtri standard	
			<b>Pxx</b>	Customized	

### FILTER ELEMENT

Filter element series and size	Configuration example : A4 L10 P01			
<b>A4</b>	SAP054			
<b>A7</b>	SAP075			
Filtration rating				
<b>L03</b>	Resin impregnate paper	3 µm		
<b>L10</b>	Resin impregnate paper	10 µm		
			Execution	
			<b>P01</b>	MP Filtri standard
			<b>Pxx</b>	Customized

### SAP054

Connection	A/F [mm]
<b>G1</b>	22
<b>G2</b>	27



### SAP075

Connection	A/F [mm]
<b>G1</b>	27
<b>G2</b>	32

