

Hand pumps

PMSE 8-15 byB-s

Tech sheet

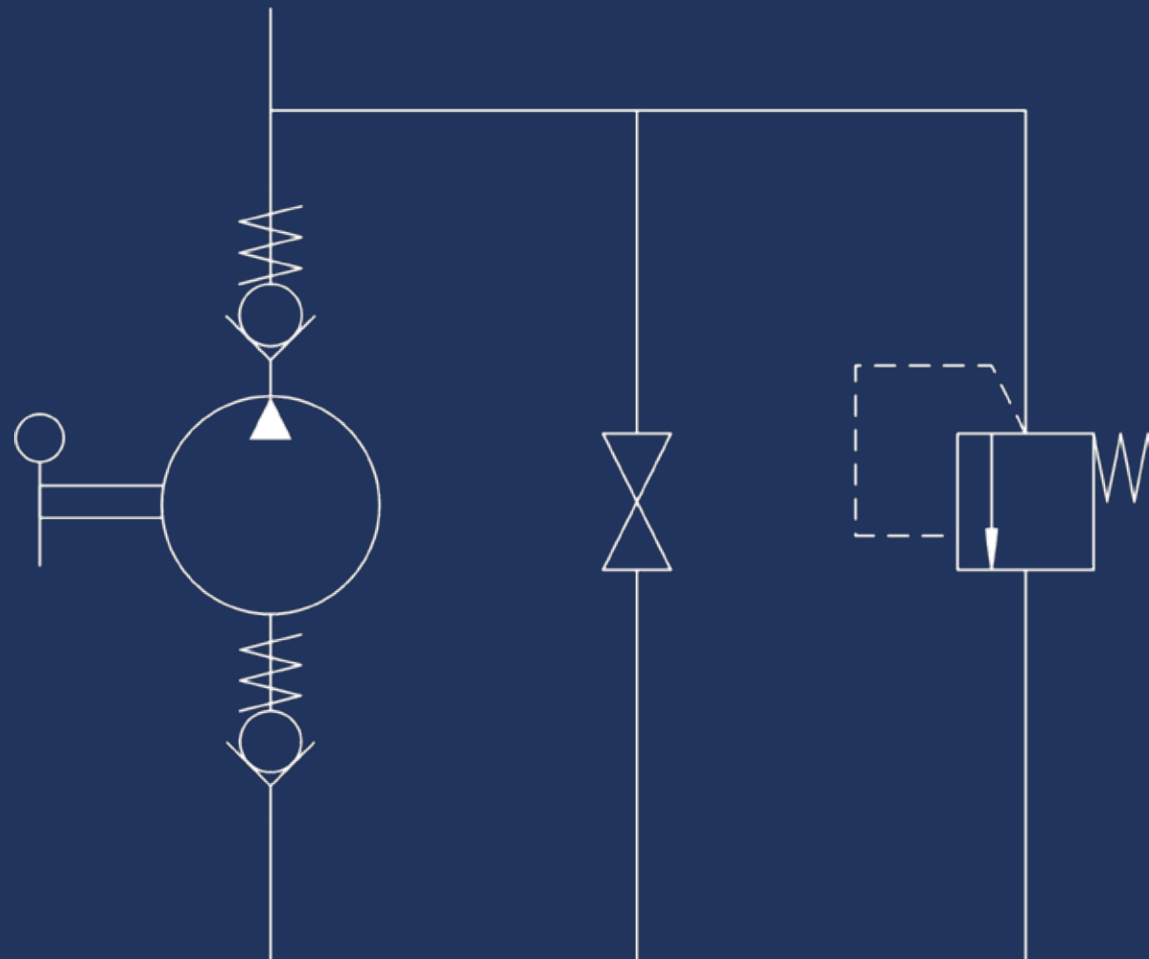
DETAILS

with release hand knob
with pressure relief valve
single acting hand pump for a single acting cylinder
for fixing to tank

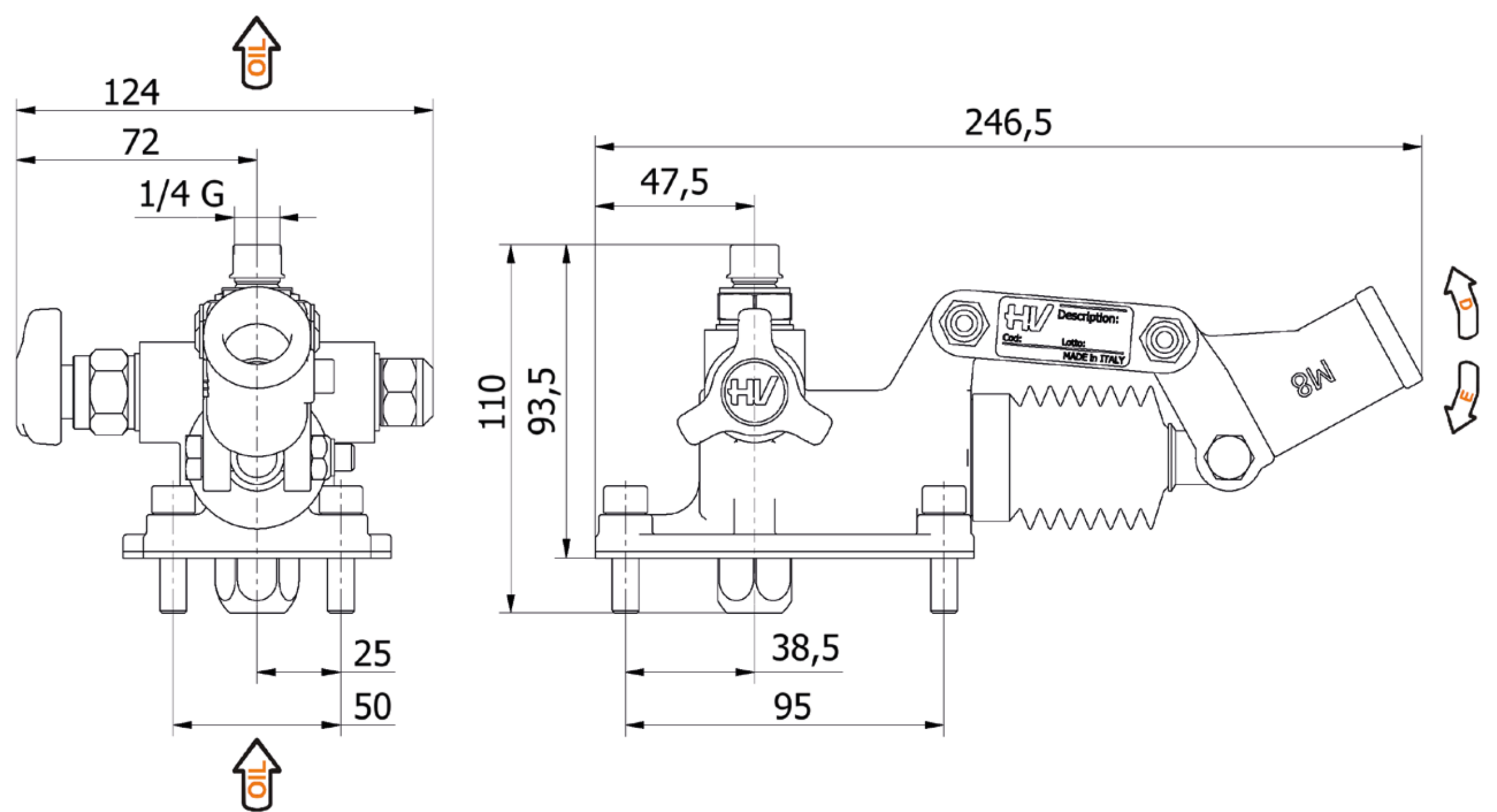
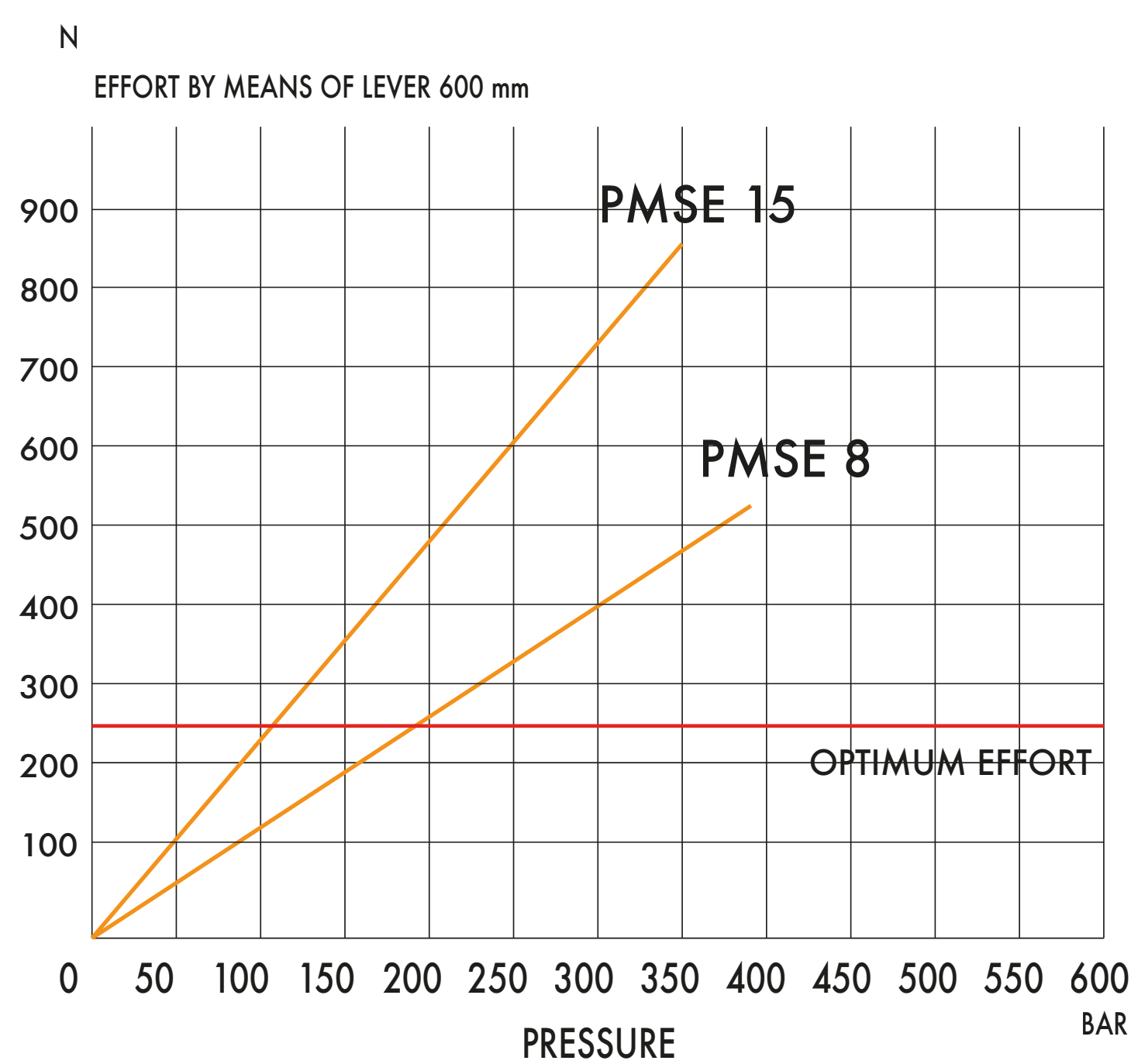
SPECIFICATIONS

Cast iron body
Piston treated with Niploy
Iron cast support lever
Lever connection Ø 20
White zinc plated external parts
Standard colour black
Oil tank mounting kit included
Pressure relief valve standard
setting: 100 bar

HYDRAULIC DIAGRAM



EFFORT DIAGRAM



DISPLACEMENT cm ³	A mm	B mm	C mm	D °	E °	ACTUAL DISPLACEMENT cm ³	PRESSURE BAR		MASS KG	CODE
							OPTIMAL	MAX		
8	--	--	--	30	26	8,042	180	380	3,200	6065.0038
15	--	--	--	30	26	15,205	110	350	3,200	6066.0038