

LMC/LDC series

IEC electric motor range from size 80 up to size 355



Technical data

Bell-Housing - IEC electric motor range from size 80 up to size 355**Materials**

- Monobloc bell-housing: Pressure die-cast aluminium alloy
- Pump flange: Pressure die-cast aluminium alloy
- Screws kit: Steel
- Gaskets: Special paper (Guarnital)
- Plug for inspection: Polyamide

Compatibility with fluids

Modular bell-housing components compatible for use with:

- Mineral oils types HH-HL-HM-HR-HV, to ISO 6743/4 standard
- Water based emulsions types HFAE-HFAS, to ISO 6743/4 standard
- Water glycol type HFC, to ISO 6743/4 standard: ask for anodized version

Special Applications

Any applications not covered by the normal indications contained in this catalogue must be evaluated and approved by MP Filtri Technical and Sales Department

Temperature

From -30 °C to +80 °C

Note

For temperatures outside this range, contact MP Filtri Technical and Sales Department



Range

Bell-Housing size	Flange ISO 3019-2								IEC Motors size
	50 B2-B4	63 B2-B4	80 B2-B4	100 B2-B4	125 B2-B4	160 B2-B4	200 B2-B4		
LMC200	●	●	●	●					IEC 80 Ø200 - Ø19x40
LMC200	●	●	●	●					IEC 90 Ø200 - Ø24x50
LMC250	●	●	●	●	●				IEC 100 Ø250 - Ø28x60
LMC250	●	●	●	●	●				IEC 112 Ø250 - Ø28x60
LMC300			●	●	●	●			IEC 132 Ø300 - Ø38x80
LMC350			●	●	●	●			IEC 160 Ø350 - Ø42x110
LMC350			●	●	●	●	●		IEC 180 Ø350 - Ø48x110
LMC400			●	●	●	●	●		IEC 200 Ø400 - Ø55x110
LMC450			●	●	●	●	●		IEC 225 Ø450 - Ø60x140
LMC550					●	●	●		IEC 250 Ø550 - Ø65x140
LMC550					●	●	●		IEC 280 Ø550 - Ø75x140
LMC660					●	●	●		IEC 315 Ø660 - Ø80x170

Bell-Housing size	Flange SAE J 744										IEC Motors size	
	50-2 (A-A)	82-2 (A)	101-2 (B)	127-2 (C)	152-2 (D)	165-2 (E)	101-4 (B)	127-4 (D)	152-4 (D)	165-4 (E)		
LMC200	●	●										IEC 80 Ø200 - Ø19x40
LMC200	●	●										IEC 90 Ø200 - Ø24x50
LMC250	●	●	●				●					IEC 100 Ø250 - Ø28x60
LMC250	●	●	●	●			●					IEC 112 Ø250 - Ø28x60
LMC300		●	●	●			●	●				IEC 132 Ø300 - Ø38x80
LMC350		●	●	●			●	●				IEC 160 Ø350 - Ø42x110
LMC350		●	●	●	●		●	●	●			IEC 180 Ø350 - Ø48x110
LMC400		●	●	●	●	●	●	●	●	●		IEC 200 Ø400 - Ø55x110
LMC450			●	●	●	●		●	●	●		IEC 225 Ø450 - Ø60x140
LMC550				●	●	●		●	●	●		IEC 250 Ø550 - Ø65x140
LMC550				●	●	●		●	●	●		IEC 280 Ø550 - Ø75x140
LMC660				●	●	●		●	●	●		IEC 315 Ø660 - Ø80x170

Designation & Ordering code

LMC

Bell-Housing series and size		Configuration example:	LMC200AFSJ	070	DI
LMC200AFSJ	LMC350AFSU				
LMC200AFSW	LMC400AFSV				
LMC250AFSM	LMC450AFSZ				
LMC250AFSQ	LMC550AFSN				
LMC250AFSR	LMC550AFSO				
LMC300AFST	LMC660AFSP				
LMC300AFSX	LMC660AFSS				
LMC350AFSY					

Pump interface codes

070 See page 56

Options

DI	Drain hole + inspection hole
FR	Holes rotated through 45° in relation to standard position
DP	Double set of hole
AN	Black anodized finish
SA	Clearance holes at motor interface
Pxx	Customer specification

LDC

Bell-Housing series and size		Configuration example:	LDC200AFRB	070	DI
LDC200AFRB	LDC350AF6B				
LDC200AFRC	LDC400AF5A				
LDC200AFRD	LDC400AF5B				
LDC250AFRC	LDC400AF6A				
LDC300AFRC	LDC400AF6B				
LDC300AF5A	LDC450AF6A				
LDC300AF5B	LDC450AF6B				
LDC350AF6A					

Pump interface codes

070 See page 56

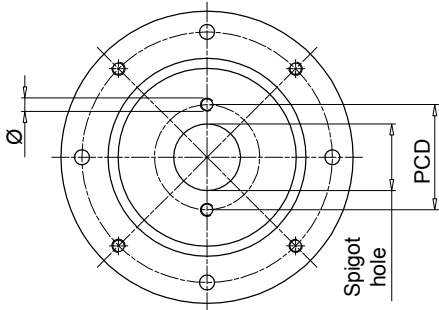
Options

DI	Drain hole + inspection hole
FR	Holes rotated through 45° in relation to standard position
DP	Double set of hole
AN	Black anodized finish
SA	Clearance holes at motor interface
Pxx	Customer specification

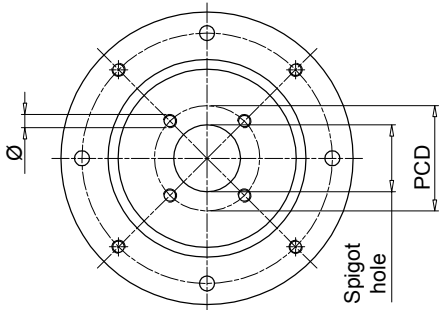
Note:

- Bell-housings with DI options are supplied complete with threaded closure plug.
- For customization features other than those indicated on this page, contact MP Filtri Technical and Sales Department.

Valid configuration for bell-housing up to Ø400

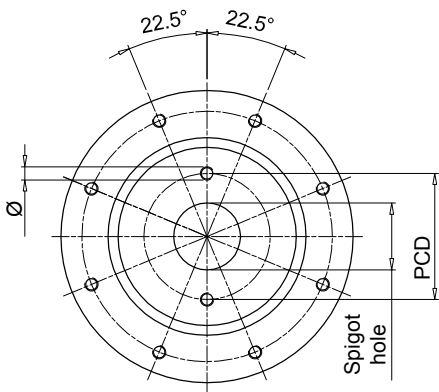


Bell-housing with nr. 2 holes at pump interface, aligned with through holes at motor interface.

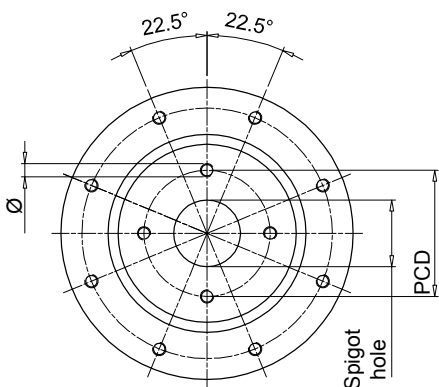


Bell-housing with nr. 4 holes at pump interface, aligned with thread holes at motor interface.

Valid configuration for bell-housing from Ø450 to Ø660



Bell-housing with nr. 2 holes at pump interface + 22.5° compared to through holes at motor interface.



Bell-housing with nr. 4 holes at pump interface + 22.5° compared to thread holes at motor interface.

Spigot hole [mm]	PCD	Ø	Nr. holes	Code	Type
40	72.00	M8	2	191	-
45.2	88.90	M8	4	096	-
	71.80	M8	4	120	-
50	80.00	M8	2	052	ISO3019-2-50-B2
	93.00	M10	2	053	-
	60.00	M5	4	280	-
	63.00	Ø7	4	057	-
50.8	93.00	M8	2	287	-
	82.50	M8	2	050	SAE A-A 50-2
56	76.00	M6	4	234	-
57.15	106.40	Ø11	2	212	-
60	74.00	M10	4	098	-
	98.50	M6	4	147	-
62.7	75.00	M6	4	227	-
	157.20	M12	4	231	-
63	100.00	M8	2	042	ISO3019-2-63-B2
	125.00	M6	4	043	-
	85.00	M8	4	044	-
	80.00	M8	2	051	-
	80.00	Ø8.5	4	058	-
	100.00	M10	2	062	-
	82.00	M8	4	168	ISO3019-2-63-B4
	90.00	M8	4	271	-
65	90.00	M8	4	073	-
70	84.00	Ø7	4	289	-
71.8	88.90	M10	4	047	-
75	102.00	M10	4	139	-
	100.00	M8	4	024	ISO3019-2-80-B4
	103.20	M8	2	045	ISO3019-2-80-B2
	100.00	Ø11	4	059	-
	100.00	M10	2	061	-
	110.00	M10	2	063	-
	140.00	M10	2	064	-
	115.00	M10	2	065	-
	100.00	M10	4	067	-
	106.40	M10	2	083	-
	130.00	M8	4	087	-
	100.00	Ø8.5	4	093	-
113.00	M12	4	104	-	
95.00	M8	4	169	-	
103.00	M8	4	242	-	
110.00	M10	4	272	-	
82.55	106.40	M10	2	060	SAE A 82-2
	105.00	M10	4	097	-
	106.40	M8	2	254	-
	146.00	M12	2	260	-
85	110.00	M10	2	284	-
	106.40	M10	2	066	-
90	112.00	M8	2	134	-
	105.00	M8	4	156	-
	118.00	Ø9	2	163	-
92	112.00	Ø9	2	164	-
	140.00	M8	4	088	-
	145.00	M10	4	089	-

"-": configuration out of ISO & SAE Standard

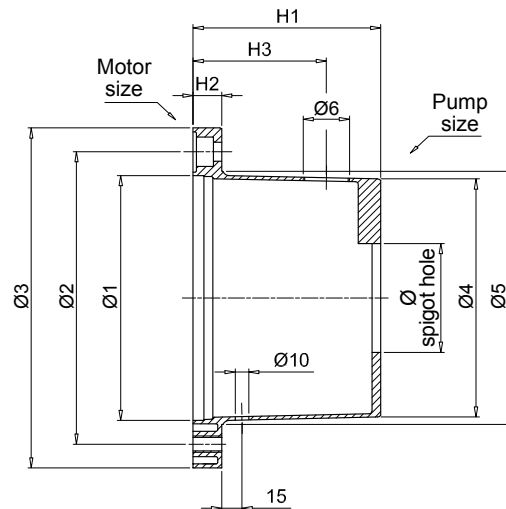
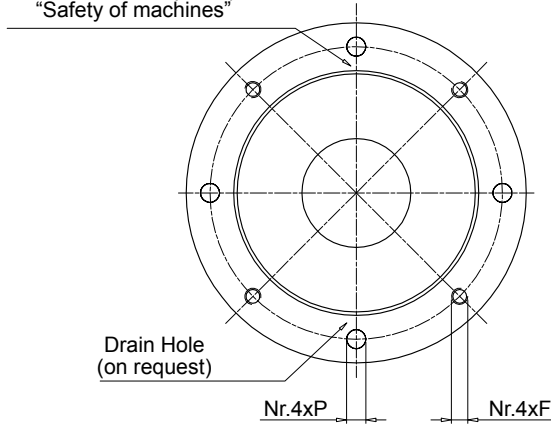
Spigot hole [mm]	PCD	Ø	Nr. holes	Code	Type	
95	115.00	M8	4	137	-	
	127.00	M10	4	131	-	
98.4	125.00	Ø11	4	128	-	
	125.00	M10	2	023	ISO3019-2-100-B4	
100	125.00	M10	4	025	ISO3019-2-100-B2	
	125.00	Ø11	4	031	-	
	125.00	M5	4	032	-	
	190.00	Ø15	4	038	-	
	125.00	Ø13	4	041	-	
	125.00	M12	2	071	-	
	140.00	M12	2	072	-	
	146.00	M12	2	075	-	
	126.00	M10	2	106	-	
	120.00	M8	4	122	-	
	160.00	M10	4	141	-	
	150.00	M10	4	150	-	
	101.6	161.50	M12	4	029	-
		146.00	M12	2	070	SAE B 101-2
127.00		M12	4	125	-	
146.00		M10	2	159	-	
105	127.00	M10	4	224	-	
	146.00	M12	2	076	-	
110	175.00	M10	4	110	-	
	130.00	M8	4	154	-	
	200.00	M10	4	202	-	
	135.00	M10	4	219	-	
	145.00	M12	4	273	-	
112	140.00	M12	2	074	-	
	140.00	M10	2	138	-	
	130.00	M10	4	264	-	
115	180.00	M12	4	198	-	
116	160.00	M14	2	084	-	
120	210.00	M16	2	094	-	
	145.00	M10	4	155	-	
	150.00	Ø13	4	267	-	
125	160.00	M12	4	026	ISO3019-2-125-B4	
	160.00	Ø13	4	033	-	
	160.00	M12	2	079	-	
	180.00	M16	2	082	ISO3019-2-125-B2	
	155.00	M10	4	102	-	
	160.00	Ø17	4	113	-	
	200.00	M12	4	114	-	
	181.20	M16	2	136	-	
	200.00	M16	4	200	-	
	180.00	Ø20	4	215	-	
	170.00	Ø18	4	237	-	
127	161.50	M12	4	021	-	
	181.20	M16	2	080	SAE C 127-2	
	161.50	M14	4	140	-	
130	165.00	Ø11	4	054	-	
	150.00	M12	4	068	-	
	181.20	M16	2	085	-	
	165.00	M12	4	124	-	
	165.00	M14	4	135	-	

"-": configuration out of ISO & SAE Standard

Spigot hole [mm]	PCD	Ø	Nr. holes	Code	Type
130	165.00	M10	4	253	-
135	160.00	M10	4	151	-
	175.40	M12	4	220	-
140	180.00	M14	4	077	ISO3019-2-140-B4
	180.00	M12	2	081	-
	165.00	M10	4	157	-
	200.00	M16	4	176	ISO3019-2-140-B2
	165.00	Ø11	4	223	-
	180.00	M16	2	232	-
150	185.00	M16	4	069	-
	228.60	M16	4	022	-
152.4	228.60	M18	2	090	-
	228.60	M18	4	108	-
	217.50	Ø17	4	118	-
	228.60	M20	2	166	SAE D 152-2
	228.60	M20	4	192	SAE D 152 -4
	190.50	M8	4	207	-
160	200.00	M16	4	027	ISO3019 - 2 -160 B4
	200.00	Ø17	4	035	-
	200.00	M16	2	091	-
	224.00	M20	2	092	ISO3019 - 2 -160 B2
	200.00	M12	2	107	-
	230.00	M22	4	111	-
	185.00	M12	4	152	-
	224.00	M16	4	184	-
230.00	Ø22	4	228	-	
162	188.00	M12	4	263	-
165.1	317.35	M20	4	143	SAE E 165 - 4
	317.35	M24	2	145	SAE E 165 - 2
	229.00	M20	4	201	-
175	317.35	M18	4	204	-
	200.00	M12	4	153	-
177.8	230.00	M18	2	185	-
	350.00	M24	4	146	SAE F 177 - 4
	216.00	M12	4	222	-
180	350.00	M24	2	203	SAE F 177 - 2
	216.00	Ø13	4	055	-
	216.00	M16	4	078	-
	224.00	M16	4	112	ISO3019 - 2 -180 B4
	216.00	M12	4	132	-
	215.00	M22	4	148	-
	230.00	M22	4	226	-
	250.00	M20	4	028	ISO3019 - 2 -200 B4
250.00	Ø22	4	095	-	
200	280.00	M24	2	117	-
	230.50	M12	4	214	-
203.2	254.00	M14	4	210	-
205	240.00	M16	4	133	-
224	280.00	M20	4	144	ISO3019 - 2 -224 B4
	280.00	Ø22	4	205	-
250	310.00	M24	4	238	-
	315.00	M20	4	282	ISO3019 - 2 -250 B4
275	355.00	M16	4	233	-
	355.00	Ø18	4	281	-

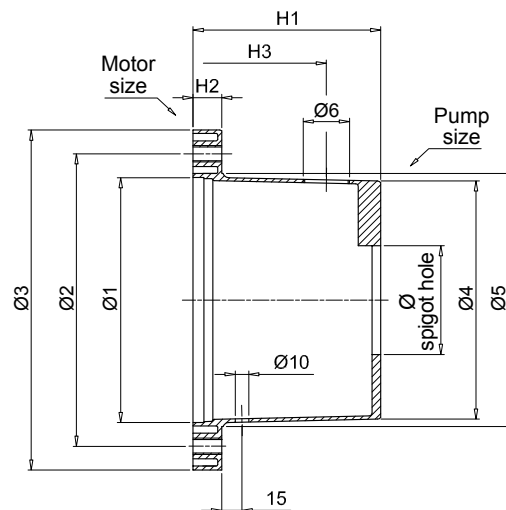
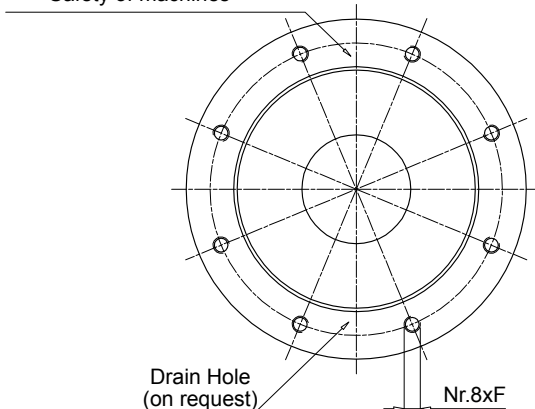
"-": configuration out of ISO & SAE Standard

Inspection Hole
Plastic threaded plug mounted
(protection according
to DIN EN 292 part 2)
"Safety of machines"



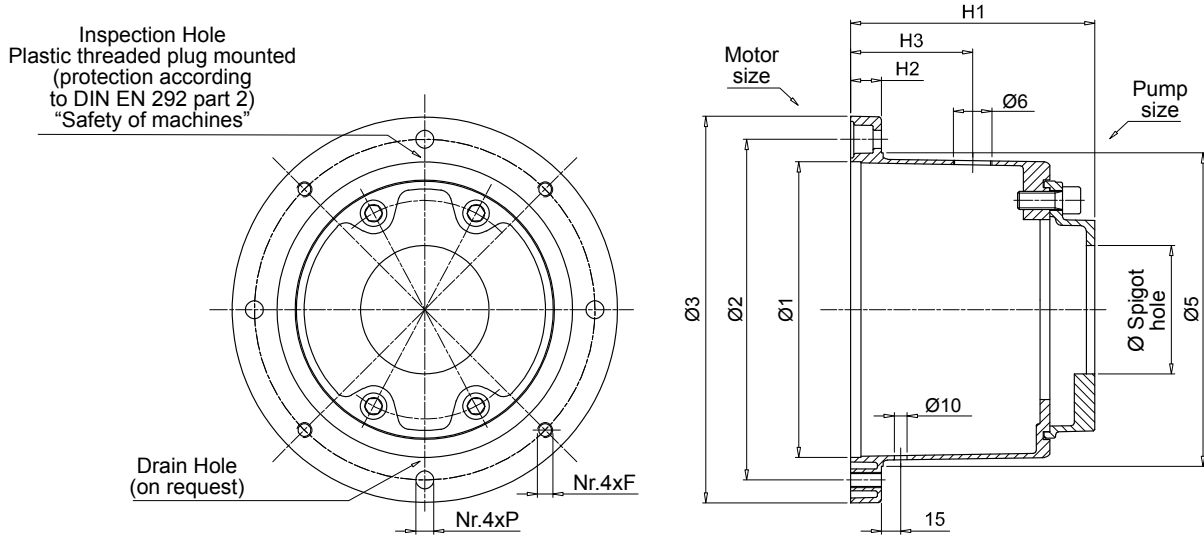
IEC - Electric motors		Bell-housing code	Dimensions [mm]								On request		Ø spigot hole Minimum [mm]	Weight [kg]	
Motor size	Shaft end [Ø x L]		Ø1	Ø2	Ø3	Ø4	Ø5	H1	H2	F	P	H3			Ø6
80	19x40	LMC200AFSJ***	130	165	200	125	135	100	18	M10	11	60	3/4"	50	0.75
90	24x50	LMC200AFSW***	130	165	200	125	135	125	18	M10	11	85	3/4"	50	0.95
110 - 112	28x60	LMC250AFSM***	180	215	250	175	186	114	19	M12	14	75	3/4"	50	1.50
		LMC250AFSQ***	180	215	250	175	186	138	19	M12	14	100	3/4"	50	1.60
		LMC250AFSR***	180	215	250	175	186	159	19	M12	14	120	3/4"	50	1.75
132	38x80	LMC300AFST***	230	265	300	230	235	155	23	M12	14	80	3/4"	80	3.20
		LMC300AFSX***	230	265	300	230	235	170	23	M12	14	95	3/4"	80	3.30
160	42x110	LMC350AFSY***	250	300	350	240	254	178	31	M16	18	95	1"	50	4.80
180	48x110	LMC350AFSU***	250	300	350	240	254	194	31	M16	18	115	1"	80	4.90
200	55x110	LMC400AFSV***	300	350	400	280	305	201	31	M16	18	125	1 1/2"	80	6.50

Inspection Hole
Plastic threaded plug mounted
(protection according
to DIN EN 292 part 2)
"Safety of machines"

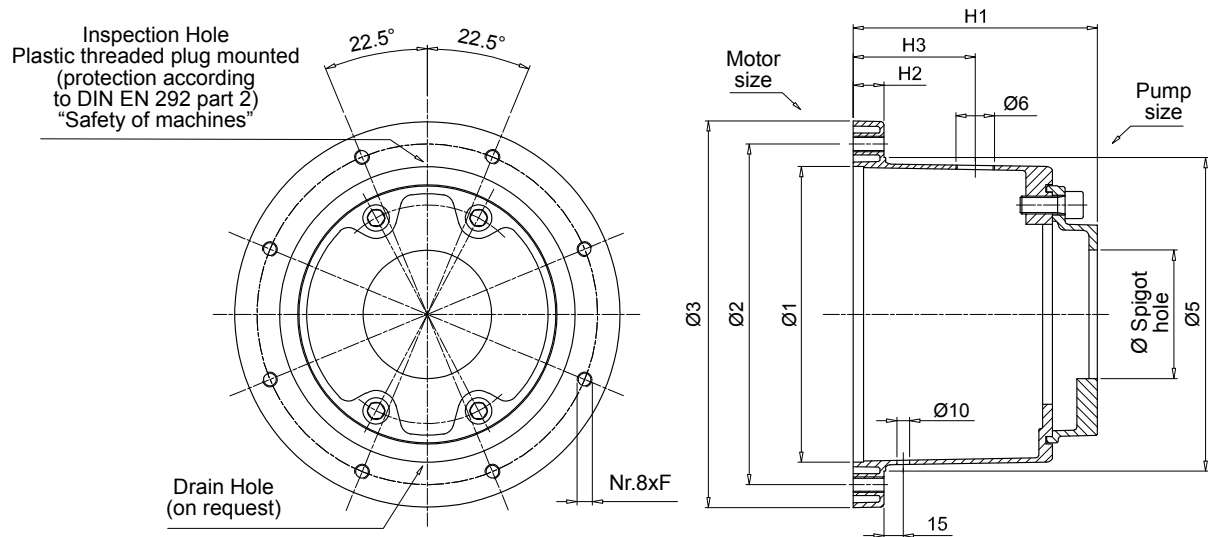


IEC - Electric motors		Bell-housing code	Dimensions [mm]								On request		Ø spigot hole Minimum [mm]	Weight [kg]	
Motor size	Shaft end [Ø x L]		Ø1	Ø2	Ø3	Ø4	Ø5	H1	H2	F	P	H3			Ø6
225	60x140	LMC450AFSZ***	350	400	450	320	350	250	31	M16	-	175	1 1/2"	80	9.00
250	65x140	LMC550AFSN***	450	500	550	-	-	265	31	M16	-	175	1 1/2"	100	15.00
280	75x140	LMC550AFS0***	450	500	550	-	-	310	35	M16	-	175	1 1/2"	100	17.00
315	80x170	LMC660AFSP***	550	600	660	-	-	295	45	M20	-	175	1 1/2"	100	27.00
		LMC660AFSS***	550	600	660	-	-	325	45	M20	-	175	1 1/2"	100	31.00

Dimensions



IEC - Electric motors		Bell-housing code	Dimensions [mm]								On request		Ø spigot hole Minimum [mm]	Weight [kg]
Motor size	Shaft end [Ø x L]		Ø1	Ø2	Ø3	Ø5	H1	H2	F	P	H3	Ø6		
80	19x40	LDC200AFRB***	130	165	200	135	125	18	M10	11	60	3/4"	50	1.85
90	24x50	LDC200AFRC***	130	165	200	135	133	18	M10	11	60	3/4"	50	1.95
		LDC200AFRD***	130	165	200	135	158	18	M10	11	75	3/4"	50	2.10
110 - 112	28x60	LDC250AFRC***	180	215	250	186	169	19	M12	14	100	3/4"	50	2.75
132	38x80	LDC300AFRC***	230	265	300	235	185	23	M12	14	95	3/4"	50	4.60
		LDC300AF5A***	230	265	300	235	190	23	M12	14	95	3/4"	80	4.50
		LDC300AF5B***	230	265	300	235	181	23	M12	14	95	3/4"	80	4.80
160	42x110	LDC350AF6A***	250	300	350	254	239	31	M16	18	115	1"	80	6.80
180	48x110	LDC350AF6B***	250	300	350	254	252	31	M16	18	115	1"	80	7.30
200	55x110	LDC400AF5A***	300	350	400	305	246	31	M16	18	125	1 1/2"	80	7.50
		LDC400AF5B***	300	350	400	305	234	31	M16	18	125	1 1/2"	80	7.90
		LDC400AF6A***	300	350	400	305	246	31	M16	18	125	1 1/2"	80	8.50
		LDC400AF6B***	300	350	400	305	260	31	M16	18	125	1 1/2"	80	9.00



IEC - Electric motors		Bell-housing code	Dimensions [mm]							On request		Ø spigot hole Minimum [mm]	Weight [kg]	
Motor size	Shaft end [Ø x L]		Ø1	Ø2	Ø3	Ø5	H1	H2	F	P	H3			Ø6
225	60x140	LDC450AF6A***	350	400	450	350	295	31	M16	-	175	1 1/2"	80	11.20
		LDC450AF6B***	350	400	450	350	308	31	M16	-	175	1 1/2"	80	11.60

Comparative table

MP Filtri code	KTR code	OMT code	Raja code	Hydrapp code
LMC200A***	PK200/3/...	TH20A***	R200/99-115/...	-
LMC200A***	PL200/8/...	TH1***	R200/120-135/...	HLC1
LMC250A***	PL250/6/...	TH2***	R250/120-135/...	HLC3
LMC300A***	PL300/4/...	TH3***	R300/155-170/...	HLC5
LMC350A***	PK350/4/...	TH4***	R350/173-194/...	HLC8
LMC400A***	PK400/4/...	TH15***	R400/194-210/...	HLC12
LMC450A***	PK450/4/...	TH18***	R450/250-210/...	-
LMC550A***	PK550/4/...	TH19***	R550/250-210/...	-
LMC660A***	PK660/4/...	TH20***	R660/250-210/...	-

Note:

The above table is guideline only.
Not all bell-housings are fully interchangeable.