



POMELLO IN ALLUMINIO PRESSOFUSO
DIE CAST ALUMINIUM HANDKNOB

POMELLO IN ALLUMINIO TORNITO
TURNED ALUMINIUM HANDKNOB



BSPP STUF140 - STUF380 - STUF120

BSPP STUF180 - STUF340 - STUF100 -
STUF114 - STUF112

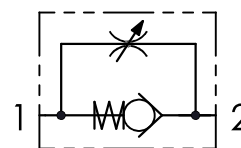
CODICE ORDINAZIONE
ORDERING CODE

01
STUF

02

01	VALVOLE DI CONTROLLO FLUSSO UNIDIREZIONALI (UNIDIRECTIONAL FLOW CONTROL VALVES)	STUF
02	Tenuta a sfera solo per STU180/140/380/120 Ball sealing only for STU180/140/380/120	BSPP 1/8 180
		BSPP 1/4 140
		BSPP 3/8 380
		BSPP 1/2 120
		BSPP 3/4 340
		BSPP 1 100
		BSPP 1-1/4 114
	BSPP 1-1/2 112	

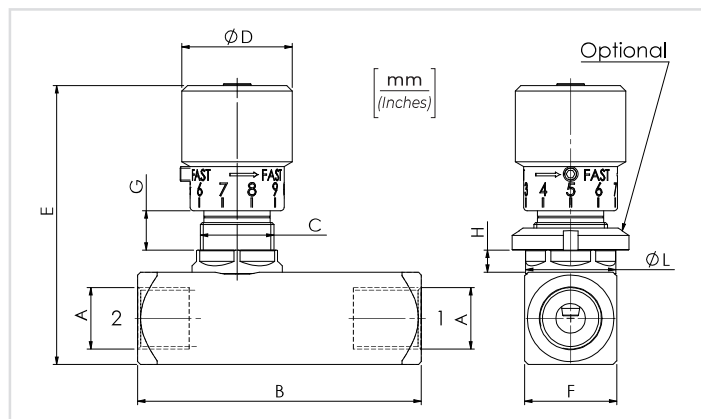
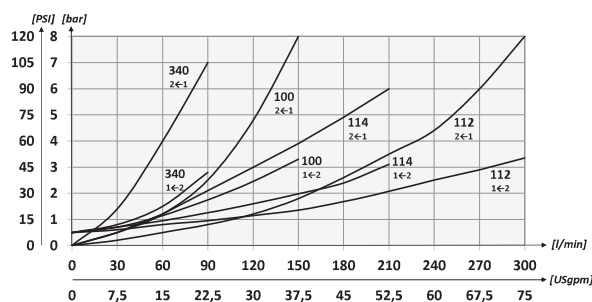
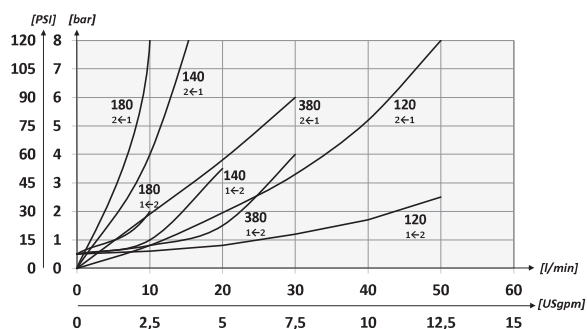
SCHEMA IDRAULICO / HYDRAULIC CIRCUIT



DATI TECNICI / TECHNICAL DATA

Oil idraulico - Mineral oil	ISO 6743/4 (DIN 51524)
Viscosità olio - Oil viscosity	15-250 mm ² /s (15 to 250 cSt)
Classe di contaminazione max Max contamination index	ISO 4406:1999 Classe 19/17/14
Temperatura dell'olio - Oil temperature	-20°C +80°C -4°F +176°F
Temperatura ambiente - Environment temperature	-20°C +50°C -4°F +122°F
È indispensabile l'utilizzo di un filtro per proteggere la valvola (filtrazione consigliata 15 µm) It is necessary a filter use to protect the valve (advised filtration 15 µm)	

PERFORMANCES



CARATTERISTICHE TECNICHE / TECHNICAL CHARACTERISTICS

TIPO TYPE	A	PORTATA MAX MAX FLOW l/min-USgpm	PRESSIONE MAX MAX PRESSURE bar-PSI	B	C	D	E	F	G	H	L	OPTIONAL TYPE	PESO APPROX APPROX WEIGHT kg-lbt		
STUF180	BSPP 1/8	10 (2.6)	400 (5800)	58 (2.28)	M15x1	20 (0.79)	60,5 (2.38)	20 (0.79)	8 (0.31)	5,5 (0.21)	19,5 (0.76)	84100031	0,20 (0.44)		
STUF140	BSPP 1/4	15 (4)		66 (2.60)	M20x1	33 (1.30)	75 (2.95)	25 (0.98)	7,5 (0.29)	6 (0.23)	24,5 (0.96)	84100022	0,38 (0.84)		
STUF380	BSPP 3/8	30 (7.9)		77 (3.03)									0,40 (0.88)		
STUF120	BSPP 1/2	50 (13.2)		91 (3.58)	M25x1,5	42 (1.65)	81 (3.19)	30 (1.18)	9 (0.35)	7 (0.27)	29,5 (1.16)	84100023	0,63 (1.40)		
STUF340	BSPP 3/4	80 (21.1)		112,5 (4.43)	M35x1,5								110 (4.33)	40 (1.57)	15,5 (0.61)
STUF100	BSPP 1	150 (39.6)	141 (5.55)	M45x1,5	53 (2.09)	137 (5.39)	55 (2.17)	13,5 (0.53)	10 (0.39)	50 (1.96)	84100030	2 (4.4)			
STUF114	BSPP 1-1/4	200 (52.8)	155 (6.10)									115 (4.53)	45 (1.77)	55 (2.17)	3,3 (7.25)
STUF112	BSPP 1-1/2	300 (79.2)	168 (6.61)									147 (5.79)	65 (2.56)	4,7 (10.3)	