



# GE3

## 3-WAY HIGH PRESSURE BALL VALVES

Edition. 21.3

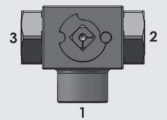
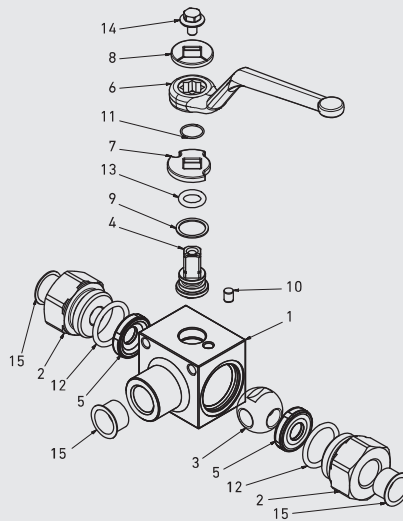
### CS Carbon Steel

- Type: ball valve 3 way
- Sizes: from DN6 up to DN25
- Ends: BSP-NPT-SAE-DIN
- Pressure: up to PN500
- Temp range: from -20°C to +100°C

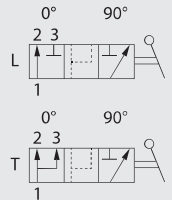
### SS Stainless Steel

- Type: ball valve 3 way
- Sizes: from DN6 up to DN25
- Ends: BSP-NPT-SAE-DIN
- Pressure: up to PN500
- Temp range: from -30°C to +100°C

### STANDARD COMPOSITION OF VALVE



**WARNING!**  
Pressure inlet only from center port 1



POS	DESCRIPTION	Q.TY	CS	SS
			Carbon Steel	Stainless Steel
			MATERIAL	
1	Body	1	1,0737	1,4404
2	Adapter	2	1,0737	1,4404
3	Ball	1	1,0737	1,4404
4	Stem	1	1,0737	1,4404
5	Ball seat	2	POM	POM
6	Handle	1	ZINC	ZINC
7	Washer	1	1,0116	1,4404
8	Washer	1	1,0116	1,4404
9	Stem ring	1	POM	POM
10	Pin	1	1,0737	1,4404
11	Seeger	1	1,4404	1,4404
12	Adapter o-ring	2	NBR	NBR
13	Stem o-ring	1	NBR	NBR
14	Screw	1	Din 6921 8.8	Din 6921 A4
15	Caps	3	PVC	PVC



## CODE DESCRIPTION STRUCTURE

GE3 G 1/2 DN13 1 1 1 1 A B

**Type and way of valve**

GE3 3-way L scheme  
GE3 3-way T scheme

**Ends**

GAS DIN/ ISO 228 BSP	NPT ANSI /ASME B1.20.1	SAE J1926-1	DIN 2353 HEAVY SERIES	DIN 2353 LIGHT SERIES
G 1/4	N 1/4	SAE4	8S	6L
G 3/8	N 3/8	SAE6	10S	8L
G 1/2	N 1/2	SAE8	12S	10L
G 3/4	N 3/4	SAE12	14S	12L
G 1	N 1	SAE16	16S	15L
G 1 1/4 R	N 1 1/4 R	SAE20R	20S	18L
G 1 1/2 R	N 1 1/2 R	SAE24R	25S	22L
			30S	28L
			38S	35L

**Size**

from DN6 to DN25

**Body Material**

- 1 = 1,0737
- 4 = 1,4404

**Adapter material**

- 1 = 1,0737
- 4 = 1,4404

**Stem material**

- 1 = 1,0737 4 = 1,4404\*
- 4 = 1,4404

**Ball Material**

- 1 = 1,0737 4 = 1,4404\*
- 4 = 1,4404

**Seat material**

A = POM D = PEEK\* G = PA612\* K = GEMPTFE\* C = PTFE\*

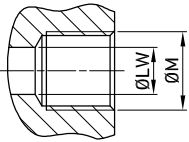
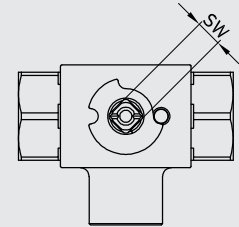
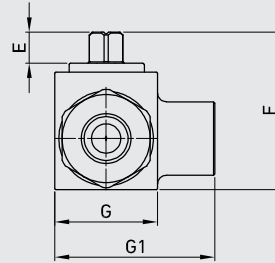
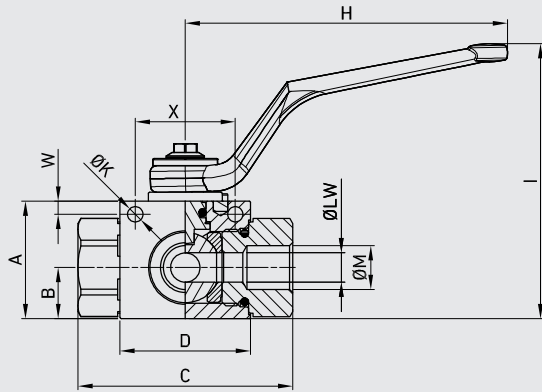
**Seal material**

B = NBR E = FKM\* F = EPDM\* L = MVQ\*

**\*On request**

- Reduced bore
- Special threads
- Pressure class up to PN40 MPa
- Pneumatic and electrical actuator
- Security block
- Locking device
- Fixing holes for SS valves

For further special requests please consult our technical/commercial service.



GE3 DIN/ISO 228 BSP

TYPE	DN	PN	A	B	C	D	E	F	G	G1	H	I	ØM	ØK*	W*	X*	SW	ØLW	WEIGHT	ITEM CODE				
																				CS	SS			
GE3L G 1/4	6	MPa	50	mm	35	14,5	71	42,4	11	49	30	48,5	110	87	G 1/4	5,25	4,5	34	9	6	kg	0,536	GE3GGT14011A000	GE3GGT14044A000
		Psi	7250	inch	1,38	0,57	2,80	1,67	0,43	1,93	1,18	1,91	4,33	3,43	0,21	0,18	1,34	0,35	0,24	lb	1,18			
GE3L G 3/8	10	MPa	50	mm	40	17,4	73	44,4	11	54,25	35	54,5	110	93	G 3/8	5,25	4,5	34	9	10	kg	0,695	GE3GGT24011A000	GE3GGT24044A000
		Psi	7250	inch	1,57	0,69	2,87	1,75	0,43	2,14	1,38	2,15	4,33	3,66	0,21	0,18	1,34	0,35	0,39	lb	1,53			
GE3L G 1/2	13	MPa	50	mm	43	19,7	83	48,4	11	57	37	58,5	110	97	G 1/2	5,25	5	36	9	13	kg	0,825	GE3GGT33011A000	GE3GGT33044A000
		Psi	7250	inch	1,69	0,78	3,27	1,91	0,43	2,24	1,46	2,30	4,33	3,82	0,21	0,20	1,42	0,35	0,51	lb	1,82			
GE3L G 3/4	20	MPa	42	mm	57	25,4	95	62,5	14	75,5	49	75	180	105	G 3/4	6,25	6	50	14	20	kg	1,583	GE3GGT44011A000	GE3GGT43044A000
		Psi	6090	inch	2,24	1,00	3,74	2,46	0,55	2,97	1,93	2,95	7,09	4,13	0,25	0,24	1,97	0,55	0,79	lb	3,49			
GE3L G 1	25	MPa	42	mm	65	29,5	112	66,5	14	83,5	55	89	180	113	G 1	6,25	6	50	14	25	kg	2,421	GE3GGT53011A000	GE3GGT53044A000
		Psi	6090	inch	2,56	1,16	4,41	2,62	0,55	3,29	2,17	3,50	7,09	4,45	0,25	0,24	1,97	0,55	0,98	lb	5,34			
GE3L G 1 1/4 R	25	MPa	35	mm	65	29,5	120	66,5	14	83,5	55	89	180	113	G 1	6,25	6	50	14	25	kg	2,601	GE3GGR63011A000	GE3GGR63044A000
		Psi	5075	inch	2,56	1,16	4,72	2,62	0,55	3,29	2,17	3,50	7,09	4,45	1/4	0,25	0,24	1,97	0,55	0,98	lb	5,73		
GE3L G 1 1/2 R	25	MPa	35	mm	65	29,5	124	66,5	14	83,5	55	89	180	113	G 1	6,25	6	50	14	25	kg	2,756	GE3GGR73011A000	GE3GGR73044A000
		Psi	5075	inch	2,56	1,16	4,88	2,62	0,55	3,29	2,17	3,50	7,09	4,45	1/2	0,25	0,24	1,97	0,55	0,98	lb	6,08		

Size only for carbon steel valves with fixing holes included.

FIXING HOLES INCLUDED