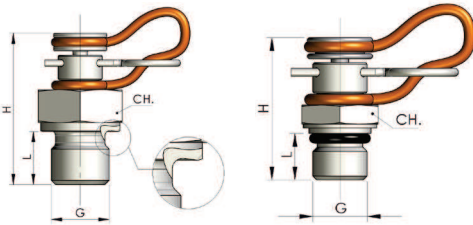
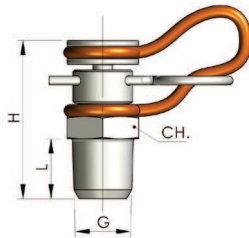




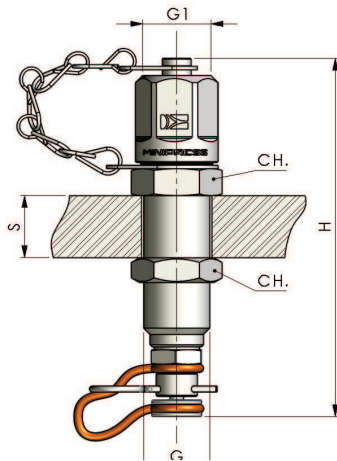
Minipresa con innesto a baionetta
Plug-in test coupling



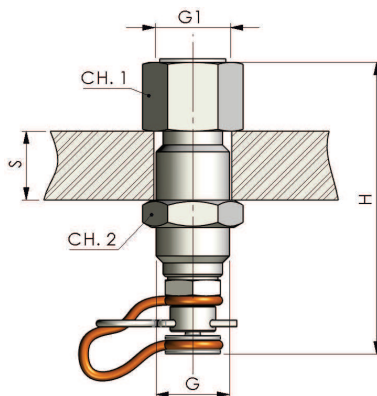
G	H	L	Ch	PN [bar]	Tenuta/Seal	Codice/Ref.
Filettatura: metrica cilindrica / Thread: metric parallel (UNI 4535-64)						
M 8x1	26	8.5	12	250	O-Ring type A	5100000
M 10x1	26	8.5	14	400		5110000
ISO 228 G1/4"	34	12	19	400	Metal Sealing Edge B	5114G000



G	H	L	Ch	PN [bar]	Tenuta/Seal	Codice/Ref.
Filettatura: gas conica / Thread: B.S.P. taper (UNI ISO 7/1)						
ISO 7/1 R1/8"	26	10	12	400	Type D	5180000
Filettatura: gas conica / Threaded: B.S.P. taper NPTF (ANSI/ASME B.1.20.1 - 1983)						
1/8" NPTF	26	10	12	400	Type D	5190000



G1	H	Ch	S max	PN [bar]	Codice/Ref.
Minipresa passaparete / Bulkhead test coupling					
M 16x2	86.5	19	25	400	S123PPIB0C



G1	H	Ch	Ch1	S max	PN [bar]	Codice/Ref.
ISO 228 G1/4" #	63	19	19	25	400	1814000B
ISO 228 G1/2" #	72	19	27	25	400	1812000B

#Tenuta per manometro con o-ring/
gauge sealing with o-ring