



Cartridge Valves Technical Information

Solenoid valves

EDH 12/3201



OPERATION

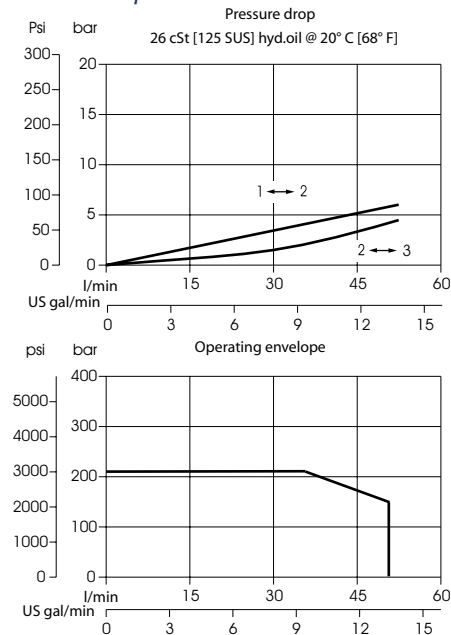
This is a direct-acting, 3-position, 3-way, spool-type solenoid valve.

SPECIFICATIONS

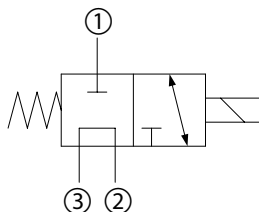
Specifications

Rated pressure	210 bar [3000 psi]
Rated flow at 7 bar [100 psi]	50 l/min [13 US gal/min]
Weight	0.89 kg [1.96 lb]
Cavity	NCS12/3
Standard Coil	M19 33 Watt

Theoretical performance



Schematic

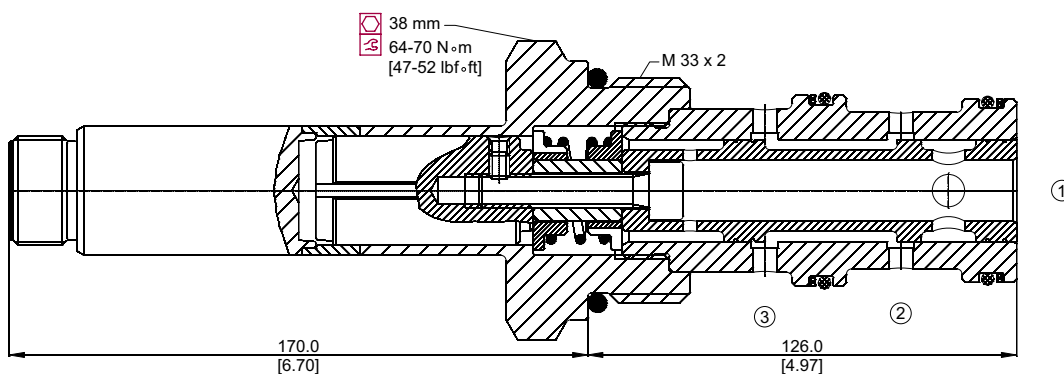


P103 232

DIMENSIONS

mm [in]

Cross-sectional view



P103 608

ORDERING INFORMATION

EDH 12 / 32 01 - 24D - A - 00 - V

Voltage

00 = No coil
12C = 12 VDC coil
24C = 24 VDC coil

Termination

00 = no coil
AMS = Amp Superseal 1.5
A = DIN 43650
FL600 = Lead Wires

Seals

V = Viton
Omit = Buna-N

Seal kit

230000360
230000130

Housing and ports

00 = No Housing
SE1/2 = AL, 1/2 BSP
SE3/4 = AL, 3/4 BSP
SE8S = AL, #8 SAE
SE12S = AL, #12 SAE
Other housings available

Housing P/N

No Housing
NCS12/3-SE-1/2
NCS12/3-SE-3/4
NCS12/3-SE-8S
NCS12/3-SE-12S

P103 618E