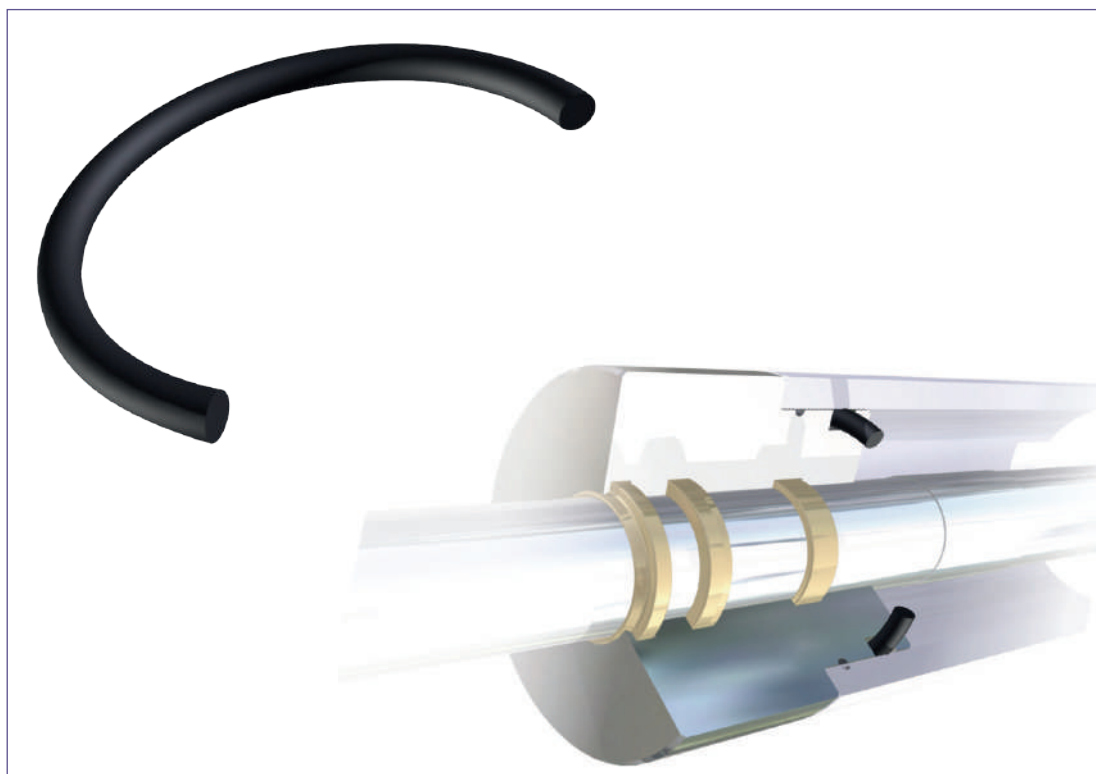


O-RING

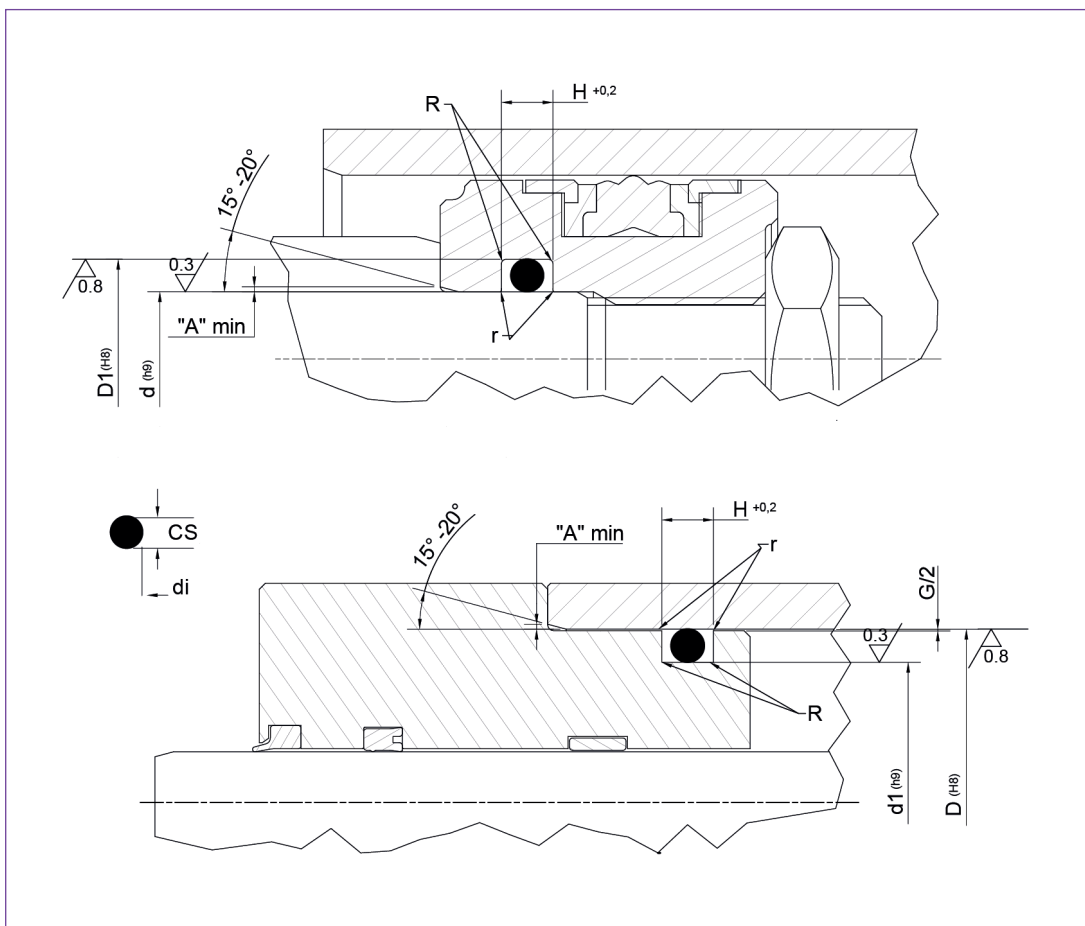


| | Wersja standard | Standard Versions |
|--|--|--|
| O-RING | Guma NBR 70 Shr | NBR 70 Shr Rubber |
| Temperatura / Temperature | | |
| O-RING | -30°C +110°C | |
| Odporność na media / Resistant to fluids | | |
| O-RING | oleje i smary mineralne, oleje pochodzenia roślinnego i zwierzęcego, niepalne ciecze hydrauliczne typu HSA, HSB, woda do +100°C, rozcieńczone roztwory kwasów i zasad do +50°C | Oils, Mineral oils, vegetable and animal oils, non flammable fluids type HSA, HSB, water up to +100°C, Water-acid-base solutions up to +50°C |

| Wytyczne projektowe uszczelnień statycznych / Static seal design guidelines | | | | |
|---|---|-------------------|--------------------|-----------------|
| R | 0 mm < d ≤ 20 mm | 20 mm < d ≤ 50 mm | 50 mm < d ≤ 100 mm | d ≥ 100 mm |
| | max 0,50 mm | max 0,80 mm | max 1 mm | max 1,5 mm |
| r | usunąć ostre krawędzie / remove sharp edges: r ≤ 0,3 mm | | | |
| A | 1 mm | 2 mm | 3 mm | 3 mm < A ≤ 5 mm |

| G/2: Tolerancja wielkości szczeliny względem ciśnienia roboczego Operating pressure to determinate maximum gap allowance G/2 | | | | | |
|---|--|----------|----------|----------|----------|
| G | Średnica przekroju o-ringa O-RING Cross Selection | > 16 MPa | > 26 MPa | > 32 MPa | > 40 MPa |
| | 1,78 | 0,40 mm | 0,40 mm | 0,30 mm | 0,20 mm |
| | 2,62 | 0,70 mm | 0,60 mm | 0,50 mm | 0,30 mm |
| | 3,53 | 1,00 mm | 0,80 mm | 0,70 mm | 0,50 mm |
| | 5,34 | 1,00 mm | 0,80 mm | 0,70 mm | 0,50 mm |
| | 6,99 | 1,10 mm | 0,90 mm | 0,70 mm | 0,70 mm |

O-RING



| METRYCZNE | | |
|-----------|-------|------|
| | di | CS |
| O-RING | 2,00 | 2,00 |
| O-RING | 2,50 | 2,00 |
| O-RING | 3,00 | 2,00 |
| O-RING | 3,50 | 2,00 |
| O-RING | 4,00 | 2,00 |
| O-RING | 4,50 | 2,00 |
| O-RING | 5,00 | 2,00 |
| O-RING | 5,50 | 2,00 |
| O-RING | 6,00 | 2,00 |
| O-RING | 6,50 | 2,00 |
| O-RING | 7,00 | 2,00 |
| O-RING | 7,50 | 2,00 |
| O-RING | 8,00 | 2,00 |
| O-RING | 8,50 | 2,00 |
| O-RING | 9,00 | 2,00 |
| O-RING | 9,50 | 2,00 |
| O-RING | 10,00 | 2,00 |
| O-RING | 10,50 | 2,00 |
| O-RING | 11,00 | 2,00 |
| O-RING | 11,50 | 2,00 |
| O-RING | 12,00 | 2,00 |
| O-RING | 12,50 | 2,00 |
| O-RING | 13,00 | 2,00 |

| METRYCZNE | | |
|-----------|-------|------|
| | di | CS |
| O-RING | 13,50 | 2,00 |
| O-RING | 14,00 | 2,00 |
| O-RING | 14,50 | 2,00 |
| O-RING | 15,00 | 2,00 |
| O-RING | 15,50 | 2,00 |
| O-RING | 16,00 | 2,00 |
| O-RING | 16,50 | 2,00 |
| O-RING | 17,00 | 2,00 |
| O-RING | 17,50 | 2,00 |
| O-RING | 18,00 | 2,00 |
| O-RING | 18,50 | 2,00 |
| O-RING | 19,00 | 2,00 |
| O-RING | 19,50 | 2,00 |
| O-RING | 20,00 | 2,00 |
| O-RING | 20,50 | 2,00 |
| O-RING | 21,00 | 2,00 |
| O-RING | 21,50 | 2,00 |
| O-RING | 22,00 | 2,00 |
| O-RING | 22,50 | 2,00 |
| O-RING | 23,00 | 2,00 |
| O-RING | 23,50 | 2,00 |
| O-RING | 24,00 | 2,00 |
| O-RING | 24,50 | 2,00 |

| METRYCZNE | | |
|-----------|-------|------|
| | di | CS |
| O-RING | 25,00 | 2,00 |
| O-RING | 25,50 | 2,00 |
| O-RING | 26,00 | 2,00 |
| O-RING | 26,50 | 2,00 |
| O-RING | 27,00 | 2,00 |
| O-RING | 27,50 | 2,00 |
| O-RING | 28,00 | 2,00 |
| O-RING | 28,50 | 2,00 |
| O-RING | 29,00 | 2,00 |
| O-RING | 29,50 | 2,00 |
| O-RING | 30,00 | 2,00 |
| O-RING | 30,50 | 2,00 |
| O-RING | 31,00 | 2,00 |
| O-RING | 31,50 | 2,00 |
| O-RING | 32,00 | 2,00 |
| O-RING | 32,50 | 2,00 |
| O-RING | 33,00 | 2,00 |
| O-RING | 33,50 | 2,00 |
| O-RING | 34,00 | 2,00 |
| O-RING | 34,50 | 2,00 |
| O-RING | 35,00 | 2,00 |
| O-RING | 35,50 | 2,00 |
| O-RING | 36,00 | 2,00 |

O-RING

| METRYCZNE | | |
|-----------|-------|------|
| | di | CS |
| O-RING | 36,50 | 2,00 |
| O-RING | 37,00 | 2,00 |
| O-RING | 37,50 | 2,00 |
| O-RING | 38,00 | 2,00 |
| O-RING | 38,50 | 2,00 |
| O-RING | 39,00 | 2,00 |
| O-RING | 39,50 | 2,00 |
| O-RING | 40,00 | 2,00 |
| O-RING | 41,00 | 2,00 |
| O-RING | 42,00 | 2,00 |
| O-RING | 43,00 | 2,00 |
| O-RING | 44,00 | 2,00 |
| O-RING | 45,00 | 2,00 |
| O-RING | 46,00 | 2,00 |
| O-RING | 47,00 | 2,00 |
| O-RING | 48,00 | 2,00 |
| O-RING | 49,00 | 2,00 |
| O-RING | 50,00 | 2,00 |
| O-RING | 51,00 | 2,00 |
| O-RING | 52,00 | 2,00 |
| O-RING | 53,00 | 2,00 |
| O-RING | 54,00 | 2,00 |
| O-RING | 55,00 | 2,00 |
| O-RING | 56,00 | 2,00 |
| O-RING | 57,00 | 2,00 |
| O-RING | 58,00 | 2,00 |
| O-RING | 59,00 | 2,00 |
| O-RING | 60,00 | 2,00 |
| O-RING | 61,00 | 2,00 |
| O-RING | 62,00 | 2,00 |
| O-RING | 63,00 | 2,00 |
| O-RING | 64,00 | 2,00 |
| O-RING | 65,00 | 2,00 |
| O-RING | 66,00 | 2,00 |
| O-RING | 67,00 | 2,00 |
| O-RING | 68,00 | 2,00 |
| O-RING | 69,00 | 2,00 |
| O-RING | 70,00 | 2,00 |
| O-RING | 71,00 | 2,00 |
| O-RING | 72,00 | 2,00 |
| O-RING | 73,00 | 2,00 |
| O-RING | 74,00 | 2,00 |
| O-RING | 75,00 | 2,00 |
| O-RING | 76,00 | 2,00 |
| O-RING | 77,00 | 2,00 |
| O-RING | 78,00 | 2,00 |
| O-RING | 79,00 | 2,00 |

| METRYCZNE | | |
|-----------|--------|------|
| | di | CS |
| O-RING | 80,00 | 2,00 |
| O-RING | 81,00 | 2,00 |
| O-RING | 82,00 | 2,00 |
| O-RING | 83,00 | 2,00 |
| O-RING | 84,00 | 2,00 |
| O-RING | 85,00 | 2,00 |
| O-RING | 86,00 | 2,00 |
| O-RING | 87,00 | 2,00 |
| O-RING | 88,00 | 2,00 |
| O-RING | 89,00 | 2,00 |
| O-RING | 90,00 | 2,00 |
| O-RING | 91,00 | 2,00 |
| O-RING | 92,00 | 2,00 |
| O-RING | 93,00 | 2,00 |
| O-RING | 94,00 | 2,00 |
| O-RING | 95,00 | 2,00 |
| O-RING | 96,00 | 2,00 |
| O-RING | 97,00 | 2,00 |
| O-RING | 98,00 | 2,00 |
| O-RING | 99,00 | 2,00 |
| O-RING | 100,00 | 2,00 |
| O-RING | 3,30 | 2,40 |
| O-RING | 3,60 | 2,40 |
| O-RING | 4,30 | 2,40 |
| O-RING | 4,60 | 2,40 |
| O-RING | 5,30 | 2,40 |
| O-RING | 5,50 | 2,40 |
| O-RING | 5,60 | 2,40 |
| O-RING | 6,30 | 2,40 |
| O-RING | 6,60 | 2,40 |
| O-RING | 7,30 | 2,40 |
| O-RING | 7,50 | 2,40 |
| O-RING | 7,60 | 2,40 |
| O-RING | 8,30 | 2,40 |
| O-RING | 8,60 | 2,40 |
| O-RING | 9,30 | 2,40 |
| O-RING | 9,60 | 2,40 |
| O-RING | 10,30 | 2,40 |
| O-RING | 10,50 | 2,40 |
| O-RING | 10,60 | 2,40 |
| O-RING | 11,30 | 2,40 |
| O-RING | 11,50 | 2,40 |
| O-RING | 11,60 | 2,40 |
| O-RING | 12,30 | 2,40 |
| O-RING | 12,60 | 2,40 |
| O-RING | 13,30 | 2,40 |
| O-RING | 13,50 | 2,40 |

| METRYCZNE | | |
|-----------|-------|------|
| | di | CS |
| O-RING | 13,60 | 2,40 |
| O-RING | 14,30 | 2,40 |
| O-RING | 14,50 | 2,40 |
| O-RING | 14,60 | 2,40 |
| O-RING | 15,30 | 2,40 |
| O-RING | 15,50 | 2,40 |
| O-RING | 15,60 | 2,40 |
| O-RING | 16,30 | 2,40 |
| O-RING | 16,60 | 2,40 |
| O-RING | 17,30 | 2,40 |
| O-RING | 17,50 | 2,40 |
| O-RING | 17,60 | 2,40 |
| O-RING | 18,60 | 2,40 |
| O-RING | 19,30 | 2,40 |
| O-RING | 19,60 | 2,40 |
| O-RING | 20,50 | 2,40 |
| O-RING | 21,50 | 2,40 |
| O-RING | 21,60 | 2,40 |
| O-RING | 22,30 | 2,40 |
| O-RING | 23,50 | 2,40 |
| O-RING | 24,50 | 2,40 |
| O-RING | 24,60 | 2,40 |
| O-RING | 25,00 | 2,40 |
| O-RING | 27,30 | 2,40 |
| O-RING | 27,50 | 2,40 |
| O-RING | 27,60 | 2,40 |
| O-RING | 29,60 | 2,40 |
| O-RING | 30,30 | 2,40 |
| O-RING | 31,60 | 2,40 |
| O-RING | 34,60 | 2,40 |
| O-RING | 37,60 | 2,40 |
| O-RING | 39,60 | 2,40 |
| O-RING | 41,60 | 2,40 |
| O-RING | 44,60 | 2,40 |
| O-RING | 47,60 | 2,40 |
| O-RING | 49,60 | 2,40 |
| O-RING | 51,60 | 2,40 |
| O-RING | 54,60 | 2,40 |
| O-RING | 57,60 | 2,40 |
| O-RING | 59,60 | 2,40 |
| O-RING | 61,60 | 2,40 |
| O-RING | 64,60 | 2,40 |
| O-RING | 67,60 | 2,40 |
| O-RING | 69,60 | 2,40 |
| O-RING | 4,00 | 2,50 |
| O-RING | 4,60 | 2,50 |
| O-RING | 5,00 | 2,50 |

O-RING

| METRYCZNE | | |
|-----------|-------|------|
| | di | CS |
| O-RING | 5,50 | 2,50 |
| O-RING | 6,00 | 2,50 |
| O-RING | 6,50 | 2,50 |
| O-RING | 7,00 | 2,50 |
| O-RING | 7,50 | 2,50 |
| O-RING | 8,00 | 2,50 |
| O-RING | 8,50 | 2,50 |
| O-RING | 9,00 | 2,50 |
| O-RING | 9,50 | 2,50 |
| O-RING | 10,00 | 2,50 |
| O-RING | 10,50 | 2,50 |
| O-RING | 11,00 | 2,50 |
| O-RING | 11,50 | 2,50 |
| O-RING | 12,00 | 2,50 |
| O-RING | 12,50 | 2,50 |
| O-RING | 13,00 | 2,50 |
| O-RING | 13,50 | 2,50 |
| O-RING | 14,00 | 2,50 |
| O-RING | 14,50 | 2,50 |
| O-RING | 15,00 | 2,50 |
| O-RING | 15,50 | 2,50 |
| O-RING | 16,00 | 2,50 |
| O-RING | 16,50 | 2,50 |
| O-RING | 17,00 | 2,50 |
| O-RING | 17,50 | 2,50 |
| O-RING | 18,00 | 2,50 |
| O-RING | 18,50 | 2,50 |
| O-RING | 19,00 | 2,50 |
| O-RING | 19,50 | 2,50 |
| O-RING | 20,00 | 2,50 |
| O-RING | 20,50 | 2,50 |
| O-RING | 21,00 | 2,50 |
| O-RING | 21,50 | 2,50 |
| O-RING | 22,00 | 2,50 |
| O-RING | 22,50 | 2,50 |
| O-RING | 23,00 | 2,50 |
| O-RING | 23,50 | 2,50 |
| O-RING | 24,00 | 2,50 |
| O-RING | 24,50 | 2,50 |
| O-RING | 25,00 | 2,50 |
| O-RING | 25,50 | 2,50 |
| O-RING | 26,00 | 2,50 |
| O-RING | 26,50 | 2,50 |
| O-RING | 27,00 | 2,50 |
| O-RING | 27,50 | 2,50 |
| O-RING | 28,00 | 2,50 |
| O-RING | 28,50 | 2,50 |

| METRYCZNE | | |
|-----------|-------|------|
| | di | CS |
| O-RING | 29,00 | 2,50 |
| O-RING | 29,50 | 2,50 |
| O-RING | 30,00 | 2,50 |
| O-RING | 30,50 | 2,50 |
| O-RING | 31,00 | 2,50 |
| O-RING | 31,50 | 2,50 |
| O-RING | 32,00 | 2,50 |
| O-RING | 32,50 | 2,50 |
| O-RING | 33,00 | 2,50 |
| O-RING | 33,50 | 2,50 |
| O-RING | 34,00 | 2,50 |
| O-RING | 34,50 | 2,50 |
| O-RING | 35,00 | 2,50 |
| O-RING | 35,50 | 2,50 |
| O-RING | 36,00 | 2,50 |
| O-RING | 37,50 | 2,50 |
| O-RING | 38,00 | 2,50 |
| O-RING | 38,50 | 2,50 |
| O-RING | 39,00 | 2,50 |
| O-RING | 39,50 | 2,50 |
| O-RING | 40,00 | 2,50 |
| O-RING | 41,00 | 2,50 |
| O-RING | 42,00 | 2,50 |
| O-RING | 43,00 | 2,50 |
| O-RING | 44,00 | 2,50 |
| O-RING | 45,00 | 2,50 |
| O-RING | 46,00 | 2,50 |
| O-RING | 47,00 | 2,50 |
| O-RING | 48,00 | 2,50 |
| O-RING | 49,00 | 2,50 |
| O-RING | 50,00 | 2,50 |
| O-RING | 51,00 | 2,50 |
| O-RING | 52,00 | 2,50 |
| O-RING | 53,00 | 2,50 |
| O-RING | 54,00 | 2,50 |
| O-RING | 55,00 | 2,50 |
| O-RING | 56,00 | 2,50 |
| O-RING | 57,00 | 2,50 |
| O-RING | 58,00 | 2,50 |
| O-RING | 59,00 | 2,50 |
| O-RING | 60,00 | 2,50 |
| O-RING | 61,50 | 2,50 |
| O-RING | 62,00 | 2,50 |
| O-RING | 63,00 | 2,50 |
| O-RING | 64,00 | 2,50 |
| O-RING | 65,00 | 2,50 |
| O-RING | 3,00 | 3,00 |

| METRYCZNE | | |
|-----------|-------|------|
| | di | CS |
| O-RING | 3,50 | 3,00 |
| O-RING | 4,00 | 3,00 |
| O-RING | 4,50 | 3,00 |
| O-RING | 5,00 | 3,00 |
| O-RING | 5,50 | 3,00 |
| O-RING | 6,00 | 3,00 |
| O-RING | 6,50 | 3,00 |
| O-RING | 7,00 | 3,00 |
| O-RING | 7,50 | 3,00 |
| O-RING | 8,00 | 3,00 |
| O-RING | 8,50 | 3,00 |
| O-RING | 9,00 | 3,00 |
| O-RING | 9,50 | 3,00 |
| O-RING | 10,00 | 3,00 |
| O-RING | 10,50 | 3,00 |
| O-RING | 11,00 | 3,00 |
| O-RING | 11,50 | 3,00 |
| O-RING | 12,00 | 3,00 |
| O-RING | 12,50 | 3,00 |
| O-RING | 13,00 | 3,00 |
| O-RING | 13,50 | 3,00 |
| O-RING | 14,00 | 3,00 |
| O-RING | 14,50 | 3,00 |
| O-RING | 15,00 | 3,00 |
| O-RING | 15,50 | 3,00 |
| O-RING | 16,00 | 3,00 |
| O-RING | 16,50 | 3,00 |
| O-RING | 17,00 | 3,00 |
| O-RING | 17,50 | 3,00 |
| O-RING | 18,00 | 3,00 |
| O-RING | 18,50 | 3,00 |
| O-RING | 19,00 | 3,00 |
| O-RING | 19,20 | 3,00 |
| O-RING | 19,50 | 3,00 |
| O-RING | 20,00 | 3,00 |
| O-RING | 20,50 | 3,00 |
| O-RING | 21,00 | 3,00 |
| O-RING | 21,50 | 3,00 |
| O-RING | 22,00 | 3,00 |
| O-RING | 22,20 | 3,00 |
| O-RING | 22,50 | 3,00 |
| O-RING | 23,00 | 3,00 |
| O-RING | 23,50 | 3,00 |
| O-RING | 24,00 | 3,00 |
| O-RING | 24,20 | 3,00 |
| O-RING | 24,50 | 3,00 |
| O-RING | 24,60 | 3,00 |

O-RING

| METRYCZNE | | |
|-----------|-------|------|
| | di | CS |
| O-RING | 25,00 | 3,00 |
| O-RING | 25,50 | 3,00 |
| O-RING | 26,00 | 3,00 |
| O-RING | 26,20 | 3,00 |
| O-RING | 26,50 | 3,00 |
| O-RING | 27,00 | 3,00 |
| O-RING | 27,50 | 3,00 |
| O-RING | 28,00 | 3,00 |
| O-RING | 28,50 | 3,00 |
| O-RING | 29,00 | 3,00 |
| O-RING | 29,20 | 3,00 |
| O-RING | 30,00 | 3,00 |
| O-RING | 31,00 | 3,00 |
| O-RING | 31,50 | 3,00 |
| O-RING | 32,00 | 3,00 |
| O-RING | 32,20 | 3,00 |
| O-RING | 32,50 | 3,00 |
| O-RING | 33,00 | 3,00 |
| O-RING | 33,50 | 3,00 |
| O-RING | 34,00 | 3,00 |
| O-RING | 34,20 | 3,00 |
| O-RING | 34,50 | 3,00 |
| O-RING | 35,00 | 3,00 |
| O-RING | 35,50 | 3,00 |
| O-RING | 36,00 | 3,00 |
| O-RING | 36,20 | 3,00 |
| O-RING | 36,50 | 3,00 |
| O-RING | 37,00 | 3,00 |
| O-RING | 37,50 | 3,00 |
| O-RING | 38,00 | 3,00 |
| O-RING | 38,50 | 3,00 |
| O-RING | 39,00 | 3,00 |
| O-RING | 39,20 | 3,00 |
| O-RING | 39,50 | 3,00 |
| O-RING | 40,00 | 3,00 |
| O-RING | 40,50 | 3,00 |
| O-RING | 41,00 | 3,00 |
| O-RING | 41,50 | 3,00 |
| O-RING | 42,00 | 3,00 |
| O-RING | 42,20 | 3,00 |
| O-RING | 42,50 | 3,00 |
| O-RING | 43,00 | 3,00 |
| O-RING | 43,69 | 3,00 |
| O-RING | 44,00 | 3,00 |
| O-RING | 44,20 | 3,00 |
| O-RING | 44,50 | 3,00 |
| O-RING | 45,00 | 3,00 |

| METRYCZNE | | |
|-----------|-------|------|
| | di | CS |
| O-RING | 46,00 | 3,00 |
| O-RING | 47,00 | 3,00 |
| O-RING | 48,00 | 3,00 |
| O-RING | 49,00 | 3,00 |
| O-RING | 49,50 | 3,00 |
| O-RING | 50,00 | 3,00 |
| O-RING | 50,50 | 3,00 |
| O-RING | 51,00 | 3,00 |
| O-RING | 52,00 | 3,00 |
| O-RING | 53,00 | 3,00 |
| O-RING | 53,09 | 3,00 |
| O-RING | 54,00 | 3,00 |
| O-RING | 54,50 | 3,00 |
| O-RING | 55,00 | 3,00 |
| O-RING | 56,00 | 3,00 |
| O-RING | 57,00 | 3,00 |
| O-RING | 58,00 | 3,00 |
| O-RING | 59,00 | 3,00 |
| O-RING | 59,36 | 3,00 |
| O-RING | 59,50 | 3,00 |
| O-RING | 60,00 | 3,00 |
| O-RING | 61,00 | 3,00 |
| O-RING | 62,00 | 3,00 |
| O-RING | 63,00 | 3,00 |
| O-RING | 64,00 | 3,00 |
| O-RING | 64,50 | 3,00 |
| O-RING | 65,00 | 3,00 |
| O-RING | 66,00 | 3,00 |
| O-RING | 67,00 | 3,00 |
| O-RING | 68,00 | 3,00 |
| O-RING | 69,00 | 3,00 |
| O-RING | 69,50 | 3,00 |
| O-RING | 70,00 | 3,00 |
| O-RING | 71,00 | 3,00 |
| O-RING | 72,00 | 3,00 |
| O-RING | 73,00 | 3,00 |
| O-RING | 74,00 | 3,00 |
| O-RING | 74,50 | 3,00 |
| O-RING | 75,00 | 3,00 |
| O-RING | 76,00 | 3,00 |
| O-RING | 77,00 | 3,00 |
| O-RING | 78,00 | 3,00 |
| O-RING | 79,00 | 3,00 |
| O-RING | 79,50 | 3,00 |
| O-RING | 80,00 | 3,00 |
| O-RING | 81,00 | 3,00 |
| O-RING | 82,00 | 3,00 |

| METRYCZNE | | |
|-----------|--------|------|
| | di | CS |
| O-RING | 83,00 | 3,00 |
| O-RING | 84,00 | 3,00 |
| O-RING | 84,50 | 3,00 |
| O-RING | 85,00 | 3,00 |
| O-RING | 86,00 | 3,00 |
| O-RING | 87,00 | 3,00 |
| O-RING | 88,00 | 3,00 |
| O-RING | 89,00 | 3,00 |
| O-RING | 89,50 | 3,00 |
| O-RING | 90,00 | 3,00 |
| O-RING | 91,00 | 3,00 |
| O-RING | 92,00 | 3,00 |
| O-RING | 93,00 | 3,00 |
| O-RING | 94,00 | 3,00 |
| O-RING | 94,50 | 3,00 |
| O-RING | 95,00 | 3,00 |
| O-RING | 96,00 | 3,00 |
| O-RING | 97,00 | 3,00 |
| O-RING | 98,00 | 3,00 |
| O-RING | 99,00 | 3,00 |
| O-RING | 99,50 | 3,00 |
| O-RING | 100,00 | 3,00 |
| O-RING | 101,00 | 3,00 |
| O-RING | 102,00 | 3,00 |
| O-RING | 103,00 | 3,00 |
| O-RING | 104,00 | 3,00 |
| O-RING | 105,00 | 3,00 |
| O-RING | 106,00 | 3,00 |
| O-RING | 107,00 | 3,00 |
| O-RING | 108,00 | 3,00 |
| O-RING | 109,00 | 3,00 |
| O-RING | 109,50 | 3,00 |
| O-RING | 110,00 | 3,00 |
| O-RING | 111,00 | 3,00 |
| O-RING | 112,00 | 3,00 |
| O-RING | 113,00 | 3,00 |
| O-RING | 114,00 | 3,00 |
| O-RING | 114,50 | 3,00 |
| O-RING | 116,00 | 3,00 |
| O-RING | 117,00 | 3,00 |
| O-RING | 118,00 | 3,00 |
| O-RING | 119,00 | 3,00 |
| O-RING | 119,50 | 3,00 |
| O-RING | 121,00 | 3,00 |
| O-RING | 122,00 | 3,00 |
| O-RING | 123,00 | 3,00 |
| O-RING | 124,00 | 3,00 |

O-RING

| METRYCZNE | | |
|-----------|--------|------|
| | di | CS |
| O-RING | 124,50 | 3,00 |
| O-RING | 125,00 | 3,00 |
| O-RING | 126,00 | 3,00 |
| O-RING | 127,00 | 3,00 |
| O-RING | 128,00 | 3,00 |
| O-RING | 129,00 | 3,00 |
| O-RING | 129,50 | 3,00 |
| O-RING | 130,00 | 3,00 |
| O-RING | 131,00 | 3,00 |
| O-RING | 132,00 | 3,00 |
| O-RING | 133,00 | 3,00 |
| O-RING | 134,00 | 3,00 |
| O-RING | 134,50 | 3,00 |
| O-RING | 135,00 | 3,00 |
| O-RING | 136,00 | 3,00 |
| O-RING | 137,00 | 3,00 |
| O-RING | 138,00 | 3,00 |
| O-RING | 139,00 | 3,00 |
| O-RING | 139,50 | 3,00 |
| O-RING | 140,00 | 3,00 |
| O-RING | 141,00 | 3,00 |
| O-RING | 142,00 | 3,00 |
| O-RING | 143,00 | 3,00 |
| O-RING | 144,00 | 3,00 |
| O-RING | 144,50 | 3,00 |
| O-RING | 145,00 | 3,00 |
| O-RING | 146,00 | 3,00 |
| O-RING | 147,00 | 3,00 |
| O-RING | 148,00 | 3,00 |
| O-RING | 149,00 | 3,00 |
| O-RING | 149,50 | 3,00 |
| O-RING | 150,00 | 3,00 |
| O-RING | 151,00 | 3,00 |
| O-RING | 155,00 | 3,00 |
| O-RING | 158,00 | 3,00 |
| O-RING | 160,00 | 3,00 |
| O-RING | 4,00 | 4,00 |
| O-RING | 5,00 | 4,00 |
| O-RING | 6,00 | 4,00 |
| O-RING | 7,00 | 4,00 |
| O-RING | 8,00 | 4,00 |
| O-RING | 9,00 | 4,00 |
| O-RING | 10,00 | 4,00 |
| O-RING | 11,00 | 4,00 |
| O-RING | 12,00 | 4,00 |
| O-RING | 13,00 | 4,00 |
| O-RING | 14,00 | 4,00 |

| METRYCZNE | | |
|-----------|-------|------|
| | di | CS |
| O-RING | 15,00 | 4,00 |
| O-RING | 16,00 | 4,00 |
| O-RING | 17,00 | 4,00 |
| O-RING | 18,00 | 4,00 |
| O-RING | 19,00 | 4,00 |
| O-RING | 20,00 | 4,00 |
| O-RING | 21,00 | 4,00 |
| O-RING | 22,00 | 4,00 |
| O-RING | 23,00 | 4,00 |
| O-RING | 24,00 | 4,00 |
| O-RING | 25,00 | 4,00 |
| O-RING | 26,00 | 4,00 |
| O-RING | 27,00 | 4,00 |
| O-RING | 28,00 | 4,00 |
| O-RING | 29,00 | 4,00 |
| O-RING | 30,00 | 4,00 |
| O-RING | 31,00 | 4,00 |
| O-RING | 32,00 | 4,00 |
| O-RING | 33,00 | 4,00 |
| O-RING | 34,00 | 4,00 |
| O-RING | 35,00 | 4,00 |
| O-RING | 36,00 | 4,00 |
| O-RING | 37,00 | 4,00 |
| O-RING | 38,00 | 4,00 |
| O-RING | 39,00 | 4,00 |
| O-RING | 40,00 | 4,00 |
| O-RING | 41,00 | 4,00 |
| O-RING | 42,00 | 4,00 |
| O-RING | 43,00 | 4,00 |
| O-RING | 44,00 | 4,00 |
| O-RING | 45,00 | 4,00 |
| O-RING | 46,00 | 4,00 |
| O-RING | 47,00 | 4,00 |
| O-RING | 48,00 | 4,00 |
| O-RING | 49,00 | 4,00 |
| O-RING | 50,00 | 4,00 |
| O-RING | 51,00 | 4,00 |
| O-RING | 52,00 | 4,00 |
| O-RING | 53,00 | 4,00 |
| O-RING | 54,00 | 4,00 |
| O-RING | 55,00 | 4,00 |
| O-RING | 56,00 | 4,00 |
| O-RING | 57,00 | 4,00 |
| O-RING | 58,00 | 4,00 |
| O-RING | 59,00 | 4,00 |
| O-RING | 60,00 | 4,00 |
| O-RING | 61,00 | 4,00 |

| METRYCZNE | | |
|-----------|--------|------|
| | di | CS |
| O-RING | 62,00 | 4,00 |
| O-RING | 63,00 | 4,00 |
| O-RING | 64,00 | 4,00 |
| O-RING | 65,00 | 4,00 |
| O-RING | 66,00 | 4,00 |
| O-RING | 67,00 | 4,00 |
| O-RING | 68,00 | 4,00 |
| O-RING | 69,00 | 4,00 |
| O-RING | 70,00 | 4,00 |
| O-RING | 71,00 | 4,00 |
| O-RING | 72,00 | 4,00 |
| O-RING | 73,00 | 4,00 |
| O-RING | 74,00 | 4,00 |
| O-RING | 75,00 | 4,00 |
| O-RING | 76,00 | 4,00 |
| O-RING | 77,00 | 4,00 |
| O-RING | 78,00 | 4,00 |
| O-RING | 79,00 | 4,00 |
| O-RING | 80,00 | 4,00 |
| O-RING | 81,00 | 4,00 |
| O-RING | 82,00 | 4,00 |
| O-RING | 83,00 | 4,00 |
| O-RING | 84,00 | 4,00 |
| O-RING | 85,00 | 4,00 |
| O-RING | 86,00 | 4,00 |
| O-RING | 87,00 | 4,00 |
| O-RING | 88,00 | 4,00 |
| O-RING | 89,00 | 4,00 |
| O-RING | 90,00 | 4,00 |
| O-RING | 91,00 | 4,00 |
| O-RING | 92,00 | 4,00 |
| O-RING | 93,00 | 4,00 |
| O-RING | 94,00 | 4,00 |
| O-RING | 95,00 | 4,00 |
| O-RING | 96,00 | 4,00 |
| O-RING | 97,00 | 4,00 |
| O-RING | 98,00 | 4,00 |
| O-RING | 99,00 | 4,00 |
| O-RING | 100,00 | 4,00 |
| O-RING | 101,00 | 4,00 |
| O-RING | 102,00 | 4,00 |
| O-RING | 103,00 | 4,00 |
| O-RING | 104,00 | 4,00 |
| O-RING | 105,00 | 4,00 |
| O-RING | 106,00 | 4,00 |
| O-RING | 107,00 | 4,00 |
| O-RING | 108,00 | 4,00 |

O-RING

| METRYCZNE | | |
|-----------|--------|------|
| | di | CS |
| O-RING | 109,00 | 4,00 |
| O-RING | 110,00 | 4,00 |
| O-RING | 111,00 | 4,00 |
| O-RING | 112,00 | 4,00 |
| O-RING | 113,00 | 4,00 |
| O-RING | 114,00 | 4,00 |
| O-RING | 115,00 | 4,00 |
| O-RING | 116,00 | 4,00 |
| O-RING | 117,00 | 4,00 |
| O-RING | 118,00 | 4,00 |
| O-RING | 119,00 | 4,00 |
| O-RING | 120,00 | 4,00 |
| O-RING | 121,00 | 4,00 |
| O-RING | 122,00 | 4,00 |
| O-RING | 123,00 | 4,00 |
| O-RING | 124,00 | 4,00 |
| O-RING | 125,00 | 4,00 |
| O-RING | 126,00 | 4,00 |
| O-RING | 127,00 | 4,00 |
| O-RING | 128,00 | 4,00 |
| O-RING | 129,00 | 4,00 |
| O-RING | 130,00 | 4,00 |
| O-RING | 131,00 | 4,00 |
| O-RING | 132,00 | 4,00 |
| O-RING | 133,00 | 4,00 |
| O-RING | 134,00 | 4,00 |
| O-RING | 135,00 | 4,00 |
| O-RING | 136,00 | 4,00 |
| O-RING | 137,00 | 4,00 |
| O-RING | 138,00 | 4,00 |
| O-RING | 139,00 | 4,00 |
| O-RING | 140,00 | 4,00 |
| O-RING | 141,00 | 4,00 |
| O-RING | 142,00 | 4,00 |
| O-RING | 143,00 | 4,00 |
| O-RING | 144,00 | 4,00 |
| O-RING | 145,00 | 4,00 |
| O-RING | 146,00 | 4,00 |
| O-RING | 147,00 | 4,00 |
| O-RING | 148,00 | 4,00 |
| O-RING | 149,00 | 4,00 |
| O-RING | 150,00 | 4,00 |
| O-RING | 154,00 | 4,00 |
| O-RING | 155,00 | 4,00 |
| O-RING | 160,00 | 4,00 |
| O-RING | 162,00 | 4,00 |
| O-RING | 165,00 | 4,00 |

| METRYCZNE | | |
|-----------|--------|------|
| | di | CS |
| O-RING | 170,00 | 4,00 |
| O-RING | 5,00 | 5,00 |
| O-RING | 7,00 | 5,00 |
| O-RING | 8,00 | 5,00 |
| O-RING | 9,00 | 5,00 |
| O-RING | 10,00 | 5,00 |
| O-RING | 11,00 | 5,00 |
| O-RING | 12,00 | 5,00 |
| O-RING | 13,00 | 5,00 |
| O-RING | 14,00 | 5,00 |
| O-RING | 15,00 | 5,00 |
| O-RING | 16,00 | 5,00 |
| O-RING | 17,00 | 5,00 |
| O-RING | 18,00 | 5,00 |
| O-RING | 19,00 | 5,00 |
| O-RING | 20,00 | 5,00 |
| O-RING | 21,00 | 5,00 |
| O-RING | 22,00 | 5,00 |
| O-RING | 23,00 | 5,00 |
| O-RING | 24,00 | 5,00 |
| O-RING | 25,00 | 5,00 |
| O-RING | 26,00 | 5,00 |
| O-RING | 27,00 | 5,00 |
| O-RING | 28,00 | 5,00 |
| O-RING | 29,00 | 5,00 |
| O-RING | 30,00 | 5,00 |
| O-RING | 31,00 | 5,00 |
| O-RING | 32,00 | 5,00 |
| O-RING | 33,00 | 5,00 |
| O-RING | 34,00 | 5,00 |
| O-RING | 35,00 | 5,00 |
| O-RING | 36,00 | 5,00 |
| O-RING | 37,00 | 5,00 |
| O-RING | 38,00 | 5,00 |
| O-RING | 39,00 | 5,00 |
| O-RING | 40,00 | 5,00 |
| O-RING | 41,00 | 5,00 |
| O-RING | 42,00 | 5,00 |
| O-RING | 43,00 | 5,00 |
| O-RING | 44,00 | 5,00 |
| O-RING | 45,00 | 5,00 |
| O-RING | 46,00 | 5,00 |
| O-RING | 47,00 | 5,00 |
| O-RING | 48,00 | 5,00 |
| O-RING | 49,00 | 5,00 |
| O-RING | 50,00 | 5,00 |
| O-RING | 51,00 | 5,00 |

| METRYCZNE | | |
|-----------|-------|------|
| | di | CS |
| O-RING | 52,00 | 5,00 |
| O-RING | 53,00 | 5,00 |
| O-RING | 54,00 | 5,00 |
| O-RING | 55,00 | 5,00 |
| O-RING | 56,00 | 5,00 |
| O-RING | 57,00 | 5,00 |
| O-RING | 58,00 | 5,00 |
| O-RING | 59,00 | 5,00 |
| O-RING | 60,00 | 5,00 |
| O-RING | 61,00 | 5,00 |
| O-RING | 62,00 | 5,00 |
| O-RING | 63,00 | 5,00 |
| O-RING | 64,00 | 5,00 |
| O-RING | 65,00 | 5,00 |
| O-RING | 66,00 | 5,00 |
| O-RING | 67,00 | 5,00 |
| O-RING | 68,00 | 5,00 |
| O-RING | 69,00 | 5,00 |
| O-RING | 70,00 | 5,00 |
| O-RING | 71,00 | 5,00 |
| O-RING | 72,00 | 5,00 |
| O-RING | 73,00 | 5,00 |
| O-RING | 74,00 | 5,00 |
| O-RING | 75,00 | 5,00 |
| O-RING | 76,00 | 5,00 |
| O-RING | 77,00 | 5,00 |
| O-RING | 78,00 | 5,00 |
| O-RING | 79,00 | 5,00 |
| O-RING | 80,00 | 5,00 |
| O-RING | 81,00 | 5,00 |
| O-RING | 82,00 | 5,00 |
| O-RING | 83,00 | 5,00 |
| O-RING | 84,00 | 5,00 |
| O-RING | 85,00 | 5,00 |
| O-RING | 86,00 | 5,00 |
| O-RING | 87,00 | 5,00 |
| O-RING | 88,00 | 5,00 |
| O-RING | 89,00 | 5,00 |
| O-RING | 90,00 | 5,00 |
| O-RING | 91,00 | 5,00 |
| O-RING | 92,00 | 5,00 |
| O-RING | 93,00 | 5,00 |
| O-RING | 94,00 | 5,00 |
| O-RING | 95,00 | 5,00 |
| O-RING | 96,00 | 5,00 |
| O-RING | 97,00 | 5,00 |
| O-RING | 98,00 | 5,00 |

O-RING

| METRYCZNE | | |
|-----------|--------|------|
| | di | CS |
| O-RING | 99,00 | 5,00 |
| O-RING | 100,00 | 5,00 |
| O-RING | 105,00 | 5,00 |
| O-RING | 110,00 | 5,00 |
| O-RING | 112,00 | 5,00 |
| O-RING | 115,00 | 5,00 |
| O-RING | 117,00 | 5,00 |
| O-RING | 118,00 | 5,00 |
| O-RING | 120,00 | 5,00 |
| O-RING | 125,00 | 5,00 |
| O-RING | 128,00 | 5,00 |
| O-RING | 130,00 | 5,00 |
| O-RING | 135,00 | 5,00 |
| O-RING | 138,00 | 5,00 |
| O-RING | 140,00 | 5,00 |
| O-RING | 44,20 | 5,70 |
| O-RING | 44,30 | 5,70 |
| O-RING | 45,30 | 5,70 |
| O-RING | 49,20 | 5,70 |
| O-RING | 49,30 | 5,70 |
| O-RING | 52,30 | 5,70 |
| O-RING | 52,50 | 5,70 |
| O-RING | 54,20 | 5,70 |
| O-RING | 54,30 | 5,70 |
| O-RING | 55,30 | 5,70 |
| O-RING | 59,20 | 5,70 |
| O-RING | 59,30 | 5,70 |
| O-RING | 59,70 | 5,70 |
| O-RING | 61,20 | 5,70 |
| O-RING | 62,00 | 5,70 |
| O-RING | 62,30 | 5,70 |
| O-RING | 64,00 | 5,70 |
| O-RING | 64,20 | 5,70 |
| O-RING | 64,30 | 5,70 |
| O-RING | 66,60 | 5,70 |
| O-RING | 69,00 | 5,70 |
| O-RING | 69,20 | 5,70 |
| O-RING | 69,30 | 5,70 |
| O-RING | 71,20 | 5,70 |
| O-RING | 74,00 | 5,70 |
| O-RING | 74,20 | 5,70 |
| O-RING | 74,30 | 5,70 |
| O-RING | 79,00 | 5,70 |
| O-RING | 79,20 | 5,70 |
| O-RING | 79,30 | 5,70 |
| O-RING | 84,00 | 5,70 |
| O-RING | 84,10 | 5,70 |

| METRYCZNE | | |
|-----------|--------|------|
| | di | CS |
| O-RING | 84,30 | 5,70 |
| O-RING | 89,00 | 5,70 |
| O-RING | 89,10 | 5,70 |
| O-RING | 89,30 | 5,70 |
| O-RING | 94,00 | 5,70 |
| O-RING | 94,10 | 5,70 |
| O-RING | 94,30 | 5,70 |
| O-RING | 99,00 | 5,70 |
| O-RING | 99,10 | 5,70 |
| O-RING | 99,30 | 5,70 |
| O-RING | 104,00 | 5,70 |
| O-RING | 104,10 | 5,70 |
| O-RING | 109,00 | 5,70 |
| O-RING | 109,10 | 5,70 |
| O-RING | 109,30 | 5,70 |
| O-RING | 109,60 | 5,70 |
| O-RING | 114,00 | 5,70 |
| O-RING | 114,30 | 5,70 |
| O-RING | 119,00 | 5,70 |
| O-RING | 119,30 | 5,70 |
| O-RING | 124,00 | 5,70 |
| O-RING | 124,30 | 5,70 |
| O-RING | 129,30 | 5,70 |
| O-RING | 134,30 | 5,70 |
| O-RING | 139,30 | 5,70 |
| O-RING | 139,60 | 5,70 |
| O-RING | 144,30 | 5,70 |
| O-RING | 149,30 | 5,70 |
| O-RING | 154,30 | 5,70 |
| O-RING | 159,30 | 5,70 |
| O-RING | 164,30 | 5,70 |
| O-RING | 169,30 | 5,70 |
| O-RING | 174,30 | 5,70 |
| O-RING | 179,30 | 5,70 |
| O-RING | 184,30 | 5,70 |
| O-RING | 189,30 | 5,70 |
| O-RING | 194,30 | 5,70 |
| O-RING | 199,30 | 5,70 |
| O-RING | 204,00 | 5,70 |
| O-RING | 209,30 | 5,70 |

| CALOWE | | |
|--------|--------|------|
| | di | CS |
| O-RING | 1,78 | 1,78 |
| O-RING | 2,57 | 1,78 |
| O-RING | 2,90 | 1,78 |
| O-RING | 3,69 | 1,78 |
| O-RING | 4,47 | 1,78 |
| O-RING | 5,28 | 1,78 |
| O-RING | 6,07 | 1,78 |
| O-RING | 7,66 | 1,78 |
| O-RING | 9,25 | 1,78 |
| O-RING | 10,82 | 1,78 |
| O-RING | 12,42 | 1,78 |
| O-RING | 14,00 | 1,78 |
| O-RING | 15,60 | 1,78 |
| O-RING | 17,16 | 1,78 |
| O-RING | 18,77 | 1,78 |
| O-RING | 20,35 | 1,78 |
| O-RING | 21,95 | 1,78 |
| O-RING | 23,52 | 1,78 |
| O-RING | 25,12 | 1,78 |
| O-RING | 26,70 | 1,78 |
| O-RING | 28,30 | 1,78 |
| O-RING | 29,87 | 1,78 |
| O-RING | 31,47 | 1,78 |
| O-RING | 33,05 | 1,78 |
| O-RING | 34,65 | 1,78 |
| O-RING | 37,82 | 1,78 |
| O-RING | 41,00 | 1,78 |
| O-RING | 44,17 | 1,78 |
| O-RING | 47,37 | 1,78 |
| O-RING | 50,52 | 1,78 |
| O-RING | 53,67 | 1,78 |
| O-RING | 56,87 | 1,78 |
| O-RING | 60,04 | 1,78 |
| O-RING | 63,22 | 1,78 |
| O-RING | 66,40 | 1,78 |
| O-RING | 69,57 | 1,78 |
| O-RING | 72,76 | 1,78 |
| O-RING | 75,94 | 1,78 |
| O-RING | 82,28 | 1,78 |
| O-RING | 88,64 | 1,78 |
| O-RING | 91,70 | 1,78 |
| O-RING | 95,00 | 1,78 |
| O-RING | 101,34 | 1,78 |
| O-RING | 107,70 | 1,78 |
| O-RING | 114,00 | 1,78 |
| O-RING | 120,40 | 1,78 |
| O-RING | 126,72 | 1,78 |

O-RING

| CALOWE | | |
|--------|--------|------|
| | di | CS |
| O-RING | 133,10 | 1,78 |
| O-RING | 1,24 | 2,62 |
| O-RING | 2,06 | 2,62 |
| O-RING | 2,84 | 2,62 |
| O-RING | 3,63 | 2,62 |
| O-RING | 4,42 | 2,62 |
| O-RING | 5,23 | 2,62 |
| O-RING | 6,02 | 2,62 |
| O-RING | 7,60 | 2,62 |
| O-RING | 9,19 | 2,62 |
| O-RING | 9,13 | 2,62 |
| O-RING | 10,78 | 2,62 |
| O-RING | 12,37 | 2,62 |
| O-RING | 13,95 | 2,62 |
| O-RING | 15,54 | 2,62 |
| O-RING | 17,13 | 2,62 |
| O-RING | 18,72 | 2,62 |
| O-RING | 20,29 | 2,62 |
| O-RING | 21,90 | 2,62 |
| O-RING | 23,47 | 2,62 |
| O-RING | 25,07 | 2,62 |
| O-RING | 26,65 | 2,62 |
| O-RING | 28,25 | 2,62 |
| O-RING | 29,83 | 2,62 |
| O-RING | 33,00 | 2,62 |
| O-RING | 34,60 | 2,62 |
| O-RING | 36,17 | 2,62 |
| O-RING | 37,77 | 2,62 |
| O-RING | 39,35 | 2,62 |
| O-RING | 40,95 | 2,62 |
| O-RING | 42,52 | 2,62 |
| O-RING | 44,12 | 2,62 |
| O-RING | 45,70 | 2,62 |
| O-RING | 47,30 | 2,62 |
| O-RING | 48,90 | 2,62 |
| O-RING | 50,47 | 2,62 |
| O-RING | 52,07 | 2,62 |
| O-RING | 53,65 | 2,62 |
| O-RING | 55,25 | 2,62 |
| O-RING | 56,82 | 2,62 |
| O-RING | 58,42 | 2,62 |
| O-RING | 60,00 | 2,62 |
| O-RING | 61,60 | 2,62 |
| O-RING | 63,17 | 2,62 |
| O-RING | 64,77 | 2,62 |
| O-RING | 66,35 | 2,62 |
| O-RING | 67,95 | 2,62 |

| CALOWE | | |
|--------|--------|------|
| | di | CS |
| O-RING | 69,52 | 2,62 |
| O-RING | 71,12 | 2,62 |
| O-RING | 72,70 | 2,62 |
| O-RING | 75,88 | 2,62 |
| O-RING | 82,22 | 2,62 |
| O-RING | 88,58 | 2,62 |
| O-RING | 94,93 | 2,62 |
| O-RING | 101,28 | 2,62 |
| O-RING | 107,63 | 2,62 |
| O-RING | 113,98 | 2,62 |
| O-RING | 120,33 | 2,62 |
| O-RING | 126,67 | 2,62 |
| O-RING | 133,00 | 2,62 |
| O-RING | 139,38 | 2,62 |
| O-RING | 145,73 | 2,62 |
| O-RING | 152,07 | 2,62 |
| O-RING | 158,43 | 2,62 |
| O-RING | 164,78 | 2,62 |
| O-RING | 171,13 | 2,62 |
| O-RING | 177,48 | 2,62 |
| O-RING | 183,83 | 2,62 |
| O-RING | 190,18 | 2,62 |
| O-RING | 196,53 | 2,62 |
| O-RING | 202,88 | 2,62 |
| O-RING | 209,23 | 2,62 |
| O-RING | 215,57 | 2,62 |
| O-RING | 221,93 | 2,62 |
| O-RING | 228,28 | 2,62 |
| O-RING | 234,63 | 2,62 |
| O-RING | 240,98 | 2,62 |
| O-RING | 247,32 | 2,62 |
| O-RING | 4,34 | 3,53 |
| O-RING | 5,94 | 3,53 |
| O-RING | 7,52 | 3,53 |
| O-RING | 9,13 | 3,53 |
| O-RING | 10,69 | 3,53 |
| O-RING | 12,29 | 3,53 |
| O-RING | 13,87 | 3,53 |
| O-RING | 15,47 | 3,53 |
| O-RING | 17,04 | 3,53 |
| O-RING | 18,64 | 3,53 |
| O-RING | 20,22 | 3,53 |
| O-RING | 21,82 | 3,53 |
| O-RING | 23,40 | 3,53 |
| O-RING | 25,00 | 3,53 |
| O-RING | 26,57 | 3,53 |
| O-RING | 28,17 | 3,53 |

| CALOWE | | |
|--------|--------|------|
| | di | CS |
| O-RING | 29,75 | 3,53 |
| O-RING | 31,34 | 3,53 |
| O-RING | 32,93 | 3,53 |
| O-RING | 34,52 | 3,53 |
| O-RING | 36,10 | 3,53 |
| O-RING | 37,70 | 3,53 |
| O-RING | 40,87 | 3,53 |
| O-RING | 44,05 | 3,53 |
| O-RING | 47,23 | 3,53 |
| O-RING | 50,40 | 3,53 |
| O-RING | 53,57 | 3,53 |
| O-RING | 56,75 | 3,53 |
| O-RING | 59,92 | 3,53 |
| O-RING | 63,10 | 3,53 |
| O-RING | 66,27 | 3,53 |
| O-RING | 69,44 | 3,53 |
| O-RING | 72,62 | 3,53 |
| O-RING | 75,80 | 3,53 |
| O-RING | 78,97 | 3,53 |
| O-RING | 85,32 | 3,53 |
| O-RING | 91,67 | 3,53 |
| O-RING | 94,84 | 3,53 |
| O-RING | 98,02 | 3,53 |
| O-RING | 101,20 | 3,53 |
| O-RING | 104,37 | 3,53 |
| O-RING | 107,54 | 3,53 |
| O-RING | 110,72 | 3,53 |
| O-RING | 113,90 | 3,53 |
| O-RING | 117,07 | 3,53 |
| O-RING | 120,24 | 3,53 |
| O-RING | 123,42 | 3,53 |
| O-RING | 126,60 | 3,53 |
| O-RING | 129,77 | 3,53 |
| O-RING | 132,94 | 3,53 |
| O-RING | 136,12 | 3,53 |
| O-RING | 139,30 | 3,53 |
| O-RING | 148,82 | 3,53 |
| O-RING | 152,00 | 3,53 |
| O-RING | 158,35 | 3,53 |
| O-RING | 164,70 | 3,53 |
| O-RING | 171,05 | 3,53 |
| O-RING | 177,40 | 3,53 |
| O-RING | 183,75 | 3,53 |
| O-RING | 190,10 | 3,53 |
| O-RING | 196,45 | 3,53 |
| O-RING | 202,80 | 3,53 |
| O-RING | 209,15 | 3,53 |

O-RING

| CALOWE | | | CALOWE | | |
|--------|--------|------|--------|--------|------|
| | di | CS | | di | CS |
| O-RING | 215,50 | 3,53 | O-RING | 104,14 | 5,34 |
| O-RING | 221,85 | 3,53 | O-RING | 107,32 | 5,34 |
| O-RING | 228,20 | 3,53 | O-RING | 110,50 | 5,34 |
| O-RING | 234,55 | 3,53 | O-RING | 113,67 | 5,34 |
| O-RING | 240,90 | 3,53 | O-RING | 116,84 | 5,34 |
| O-RING | 247,25 | 3,53 | O-RING | 120,02 | 5,34 |
| O-RING | 253,60 | 3,53 | O-RING | 123,19 | 5,34 |
| O-RING | 266,30 | 3,53 | O-RING | 126,37 | 5,34 |
| O-RING | 279,00 | 3,53 | O-RING | 129,54 | 5,34 |
| O-RING | 291,70 | 3,53 | O-RING | 132,72 | 5,34 |
| O-RING | 10,46 | 5,34 | O-RING | 135,89 | 5,34 |
| O-RING | 12,07 | 5,34 | O-RING | 139,07 | 5,34 |
| O-RING | 13,64 | 5,34 | O-RING | 142,24 | 5,34 |
| O-RING | 15,24 | 5,34 | O-RING | 148,59 | 5,34 |
| O-RING | 16,81 | 5,34 | O-RING | 151,77 | 5,34 |
| O-RING | 18,42 | 5,34 | O-RING | 158,12 | 5,34 |
| O-RING | 19,99 | 5,34 | O-RING | 164,47 | 5,34 |
| O-RING | 21,59 | 5,34 | O-RING | 170,82 | 5,34 |
| O-RING | 23,16 | 5,34 | O-RING | 177,17 | 5,34 |
| O-RING | 24,77 | 5,34 | O-RING | 183,52 | 5,34 |
| O-RING | 26,34 | 5,34 | O-RING | 189,87 | 5,34 |
| O-RING | 27,94 | 5,34 | O-RING | 196,22 | 5,34 |
| O-RING | 29,51 | 5,34 | O-RING | 202,57 | 5,34 |
| O-RING | 31,12 | 5,34 | O-RING | 208,92 | 5,34 |
| O-RING | 32,69 | 5,34 | O-RING | 215,27 | 5,34 |
| O-RING | 34,29 | 5,34 | O-RING | 221,62 | 5,34 |
| O-RING | 37,47 | 5,34 | O-RING | 227,97 | 5,34 |
| O-RING | 40,65 | 5,34 | O-RING | 234,32 | 5,34 |
| O-RING | 43,82 | 5,34 | O-RING | 240,67 | 5,34 |
| O-RING | 47,00 | 5,34 | O-RING | 247,02 | 5,34 |
| O-RING | 50,16 | 5,34 | O-RING | 253,37 | 5,34 |
| O-RING | 53,34 | 5,34 | | | |
| O-RING | 56,52 | 5,34 | | | |
| O-RING | 59,70 | 5,34 | | | |
| O-RING | 62,87 | 5,34 | | | |
| O-RING | 66,04 | 5,34 | | | |
| O-RING | 69,22 | 5,34 | | | |
| O-RING | 72,40 | 5,34 | | | |
| O-RING | 75,57 | 5,34 | | | |
| O-RING | 78,74 | 5,34 | | | |
| O-RING | 81,92 | 5,34 | | | |
| O-RING | 85,09 | 5,34 | | | |
| O-RING | 88,27 | 5,34 | | | |
| O-RING | 91,44 | 5,34 | | | |
| O-RING | 94,62 | 5,34 | | | |
| O-RING | 97,80 | 5,34 | | | |
| O-RING | 100,97 | 5,34 | | | |