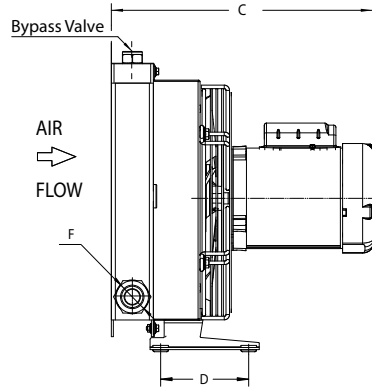
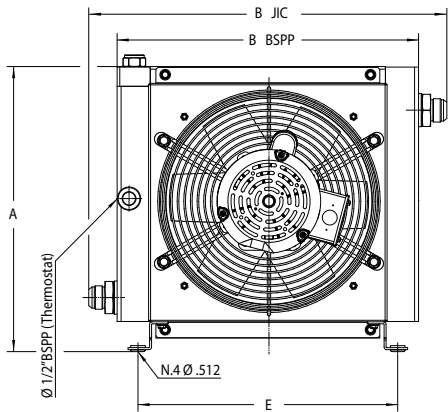


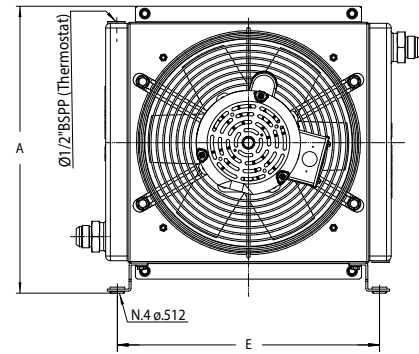
# 2000K & KBV Series Heat Exchangers



**2000 KBV**  
(WITH BYPASS)



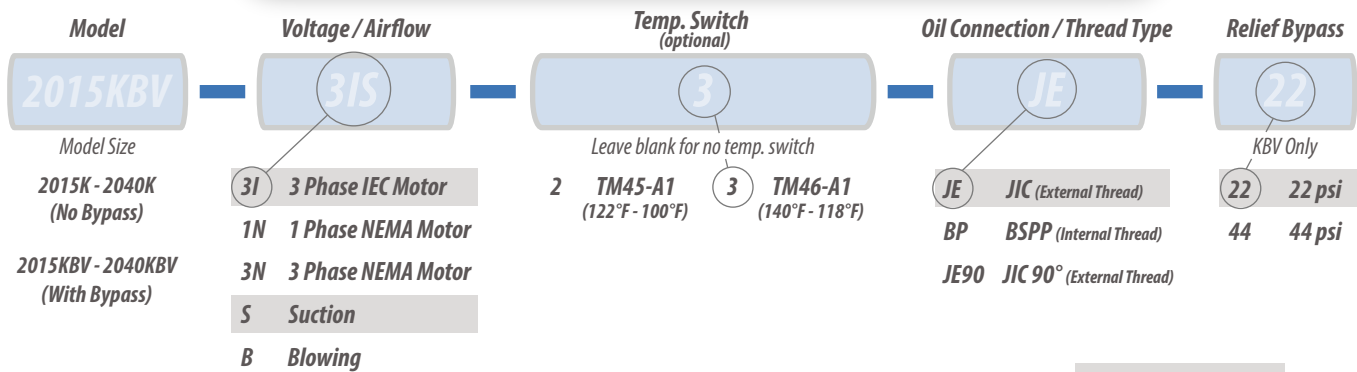
**2000 K**  
(WITHOUT BYPASS)



HEAT-EXCHANGERS

MODEL	Unit of Measure	Overall Dimensions					Mounting		Oil Connections		Tech Data				
		A	B*		C Approx.		D	E	F		dB(A)	Net Weight. Lbs.			
			BSPP	JIC	Single Phase 1NS	Three Phase 3IS			BSPP	JIC		1 Phase K	3 Phase K	1 Phase KBV	3 Phase KBV
2015 K/KBV	(inch) (mm)	11.98 304	12.60 320	15.36 390	13.61 346	13.74 349	4.92 125	10.90 277	1" Internal	# 16 External	78	35	25	37	27
2020 K/KBV	(inch) (mm)	11.98 304	12.60 320	15.36 390	14.32 364	14.45 367	4.92 125	10.90 277			78	36	26	38	28
2024 K/KBV	(inch) (mm)	14.40 366	14.96 380	18.51 470	14.32 364	14.45 367	4.92 125	12.87 327			78	42	32	45	35
2030 K/KBV	(inch) (mm)	16.91 430	17.51 445	21.08 535	15.08 383	15.34 390	4.92 125	15.43 392			85	46	45	49	48
2040 K/KBV	(inch) (mm)	21.00 526	21.25 540	24.41 620	16.38 416	15.88 403	4.92 125	19.17 487	1.25" Internal	# 20 External	79	59	61	63	65

## Ordering Code



Emmegi stocks most adaptors to increase or reduce the fittings by one size. Additional cost may apply, consult factory. *Examples:*

JE90 = 90° Adaptors

JE12 = JIC #12 Adaptors

