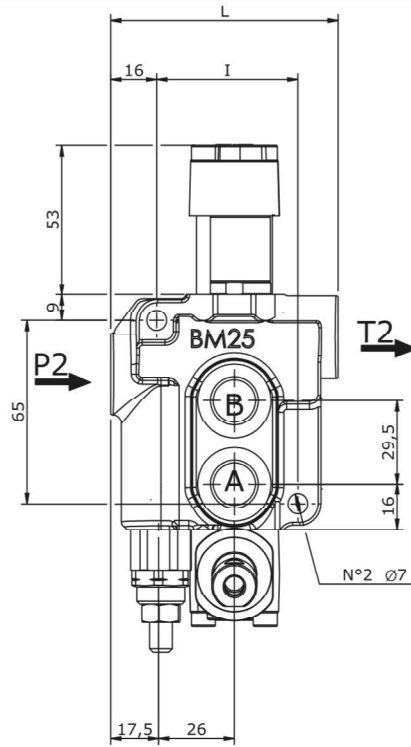
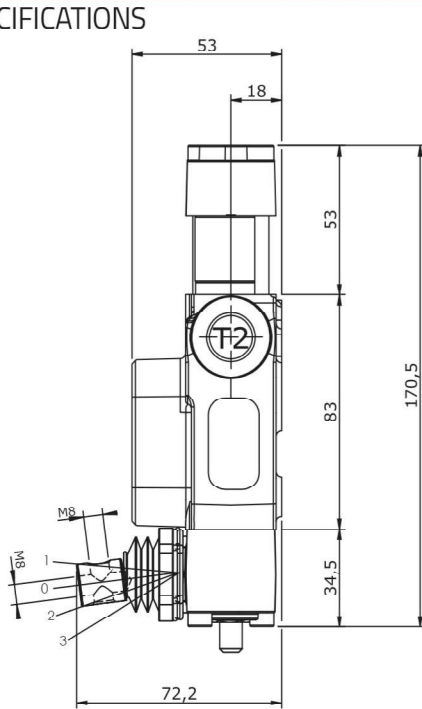


BM25

TECHNICAL SPECIFICATIONS



TECHNICAL SPECIFICATIONS

NOMINAL FLOW	25 l/min	6,6 GPM
MAX FLOW	35 l/min	9,2 GPM
MAX PRESSURE ON PORTS	320 bar	4700 PSI
MAX PRESSURE ON TANK LINE	80 bar	1100 PSI

INTERNAL OIL LEAKAGE

A - B → T	4 ÷ 8 cc/min
-----------	--------------

TESTING CONDITIONS

Pressure	100 bar
Oil temperature	40° C
Oil viscosity	32 mm ² /s

STANDARD THREADS

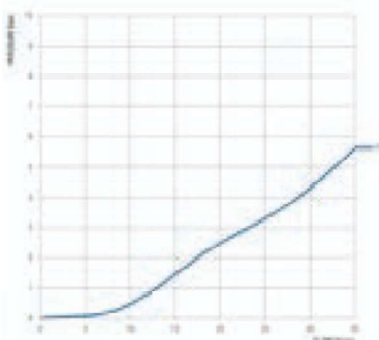
	A - B	P2	T2
G (BSP)	3/8"	3/8"	3/8"
F (UNF-SAE 8)	3/4"-16	3/4"-16	3/4"-16

DIMENSION AND WEIGHT

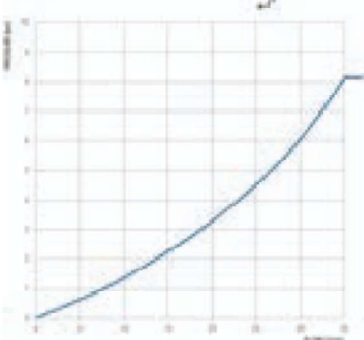
Number of sections	L		I		WEIGHT	
	mm	inch	mm	inch	kg	lb
BM25	80,00	3,15	50,00	1,97	1,52	3,35

PRESSURE DROP

P → T



P → A/B



A/B → T

