



Check Valves Catalog

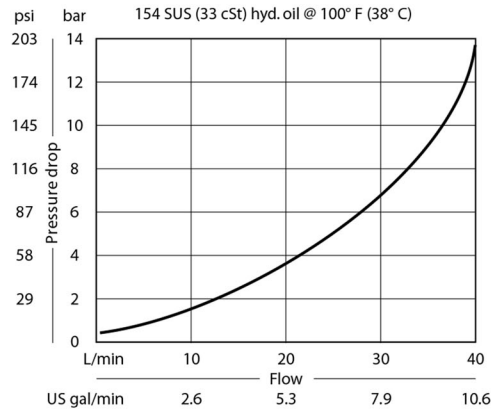
Poppet Type, Normal Direction CV08-NP

OPERATION

This valve allows free flow from 1 to 2 and blocks flow from 2 to 1.

SPECIFICATIONS

Theoretical performance



Schematic



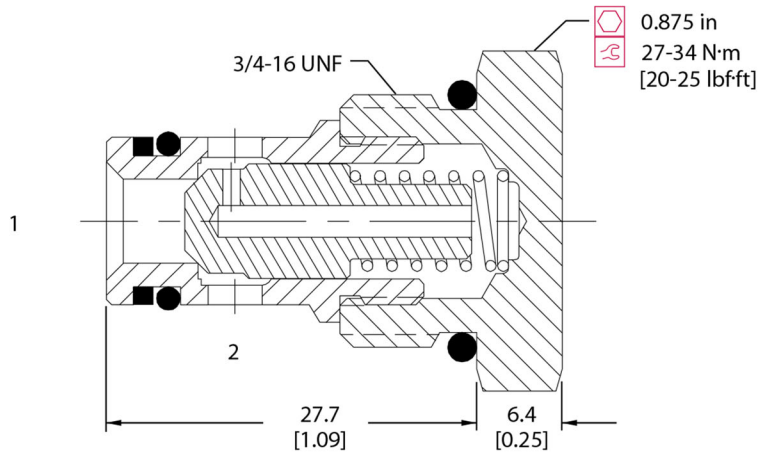
Specifications

Rated pressure	310 bar [4500 psi]
Rated flow at 7 bar 100 psi	30 l/min [8 US gal/min]
Leakage	6 drops/min @ Rated pressure
Weight	0.05 kg [0.11 lb]
Cavity	SDC08-2

DIMENSIONS

mm in

Cross-sectional view



ORDERING INFORMATION

CV08-NP-0.3-B-4S

Crack Pressure

0.3 = 0.3 bar [5 psi]
0.7 = 0.7 bar [10 psi]
1 = 1.0 bar [15 psi]
2 = 2.0 bar [30 psi]
5 = 5.0 bar [65 psi]
7 = 7.0 bar [100 psi]

Housing and ports

00 = No Housing
DG2B = Al, 1/4 BSP
DG3B = Al, 3/8 BSP
4S = Al, #4 SAE
6S = Al, #6 SAE
Other housings available

Housing P/N

No Housing
SDC08-2-DG-2B
SDC08-2-DG-3B
CP08-2-4S
CP08-2-6S

Seals

Seal kit
B = Buna N 120221
V = Viton 120222