

# IP SERIES

INTERCHANGE > ISO 7241 A



## TECHNICAL FEATURES AND OPTIONS

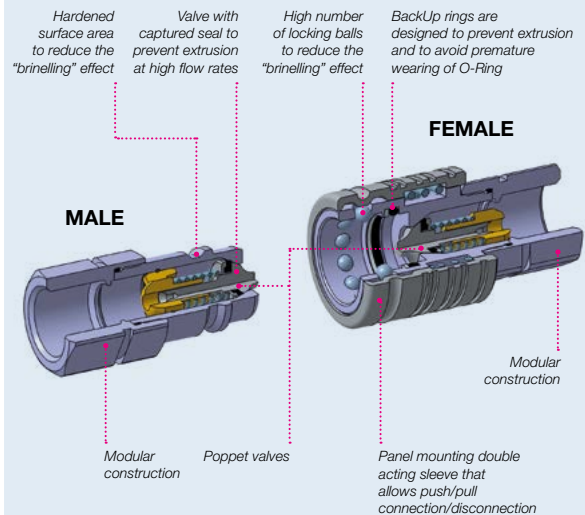
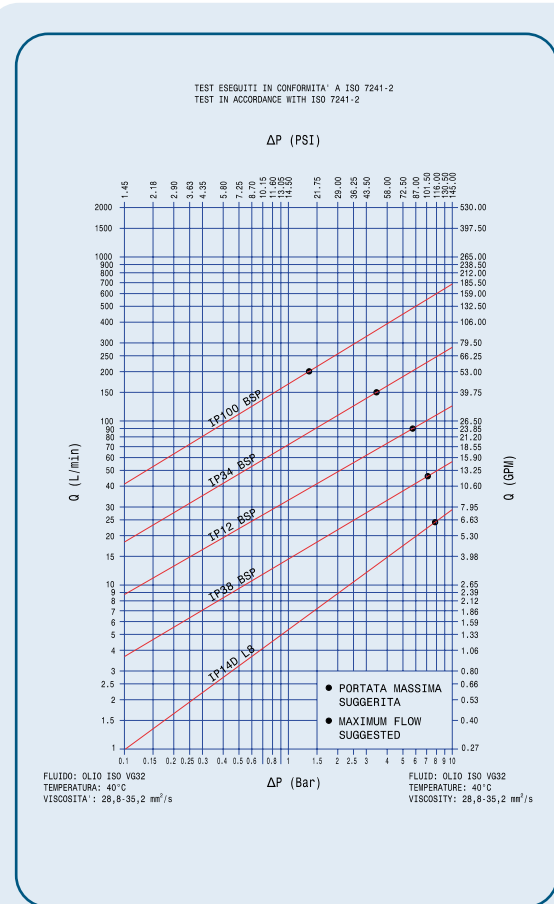
<b>Interchange</b> ISO 7241 A	<b>Sealing description</b> Nitrile NBR	<b>Connection system</b> Push - pull
<b>Available sizes</b> From 1/4" to 1"	<b>Material /treatment</b> Carbon steel /Cr3	<b>Available threads</b> BSP - NPT - METRIC
<b>Operating pressure</b> Up to 350 bar	<b>Locking mechanism</b> Locking Ball System	<b>Flow rate</b> Up to 200 l/min
<b>Temperature (°C)</b> -20°C / +100°C	<b>Valving style</b> Poppet	<b>Connection under pressure</b> Connection: not allowed Disconnection: not allowed

## BENEFITS

- Breakaway function to avoid damages of the hydraulic connections in case of strong axial force during unintended disconnection.
- The poppet valve with elastomer seal provides maximum sealing of the couplings when disconnected.
- Shape of internal parts is designed to reduce turbulence and pressure drop.
- The modular design allows for broad range of port configurations.
- Compact design.
- Simple to use.

## HOW TO USE

- For the breakaway function, the female coupling must be mounted in a panel, locking the sleeve using seeger/ snap rings.
- Provide the IP female with a flexible hose, in order to permit the movements of the internal body during connection and disconnection of the couplings.
- Before to connect, clean the mating surface of the couplings to avoid dirt inclusion in the circuit.
- To connect push the male coupling into the female coupling.
- To disconnect pull back the male coupling.



## MAIN APPLICATIONS



POPPET

## PERFORMANCES

Size		Series/Size	Max. flow suggested		Connect force		Disconnect force		Spillage*
in	mm (ISO)		l/min	gpm	N	lbf	N	lbf	ml
1/4	6,3	F IP14D-M I14D **	24	6,36	27	6,08	17	3,83	0,30
3/8	10,0	F IP38-M I38	46	12,19	75	16,88	30	6,75	1,20
1/2	12,5	F IP12-M I12GS	90	23,85	90	20,25	80	18,00	1,80
3/4	20,0	F IP34-M I34	148	39,22	130	29,25	70	15,75	5,20
1	25,0	F IP100-M I100	200	53,00	300	67,50	70	15,75	13,00

Size	Series/Size	Max. operating pressure						Burst pressure					
		Coupled		Male		Female		Coupled		Male		Female	
in		MPa	psi	MPa	psi	MPa	psi	MPa	psi	MPa	psi	MPa	psi
1/4	F IP14D-M I14D **	35	5075	35	5075	35	5075	110	15950	126	18270	126	18270
3/8	F IP38-M I38	30	4350	30	4350	30	4350	100	14500	100	14500	100	14500
1/2	F IP12-M I12GS	25	3625	25	3625	25	3625	90	13050	100	14500	100	14500
3/4	F IP34-M I34	25	3625	25	3625	25	3625	90	13050	100	14500	100	14500
1	F IP100-M I100	25	3625	25	3625	25	3625	80	11600	100	14500	100	14500

\* Spillage is an indicative value of the fluid loss during disconnection (according to ISO norm test method).

\*\* I-IP 14 type "D" couplings are not ISO7241-1/A interchangeable.

### Different possible configurations:

Different threads available upon request.

### Temperature range:

Seals in NBR (Nitrile): from -20 °C to +100 °C (from -4 °F to +212 °F).

Please read carefully Instructions and warnings for proper selection of the products.

### Tests:

The couplings have been tested at max. operating pressure for 200.000 impulses according to ISO norm test method.



## WARNING

A defect, a wrong choice or an improper use of products, can cause injury to persons, animals and objects.

Never connect or disconnect with dynamic pressure (e.g. pump on).

Do not couple-uncouple with flow and/or pressure in the circuit.

Do not couple-uncouple when the temperature inside of the circuit is higher than 80 °C (176 °F).

Check the maximum allowable working pressure of the port in use.

Make sure that the medium used is compatible with seal and material as indicated for each series.

In case of doubt please contact Stucchi Technical Support.

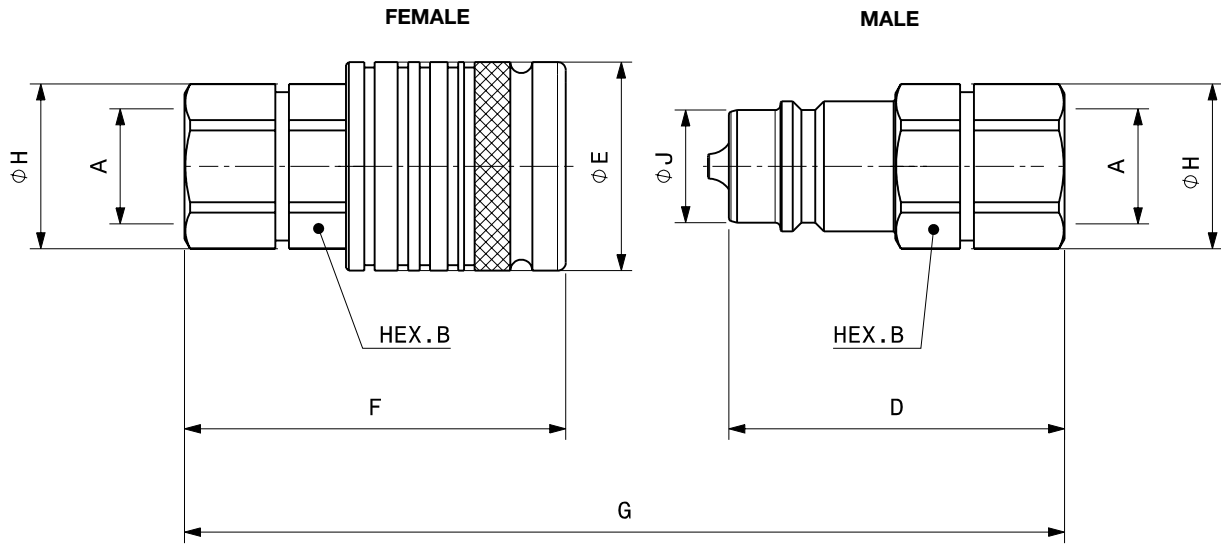
The interchangeability is mentioned under the assumption that the manufacturer of the considered products has not changed any dimension.

**It is mandatory to carefully read and closely follow the instructions before selecting or using any Stucchi products.**

**Always refer to the version uploaded in the Instructions and warning section of [stucchigroup.com](http://stucchigroup.com) website for the latest release.**

**For specific, product-related, instructions, please contact Stucchi technical service.**

## OVERALL DIMENSIONS



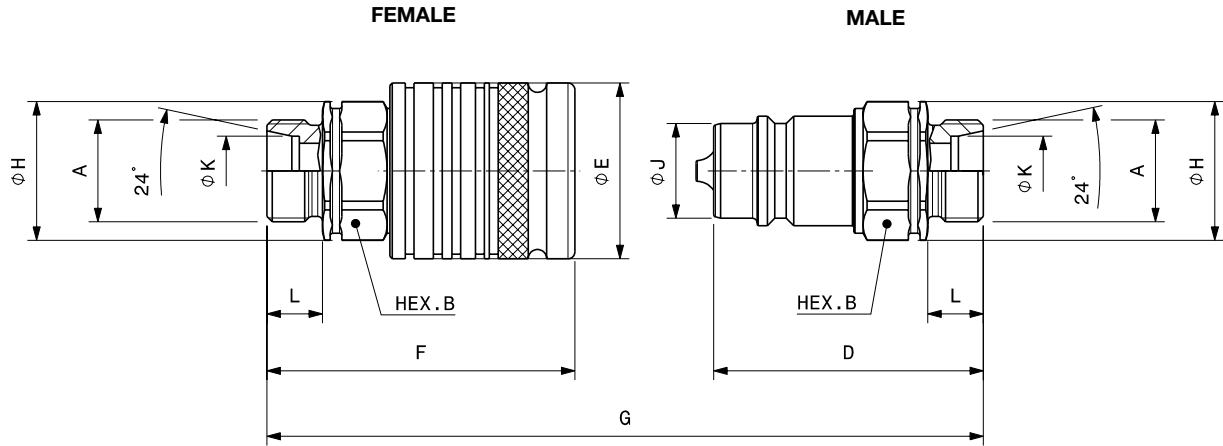
### Port description: FEMALE THREAD BSP (ISO 1179-1)

BODY SIZE	Descriptive Code	Item Code	ISO DN	BG	PORT (A)	Overall Length	Length		Hex		Overall Diameter		Body Diameter		Weight							
							mm	in	mm	in	mm	in	mm	in	mm	in	kg	lb				
3/8"	F IP38 1/4 BSP	Female 809400008	10	2	1/4"	G	64,8	2,55	F	67,5	2,66	B	22,0	0,87	H	24,0	0,94	E	32,0	1,26	0,22	0,49
	M I38 1/4 BSP	Male 809400009							D	49,3	1,94	J	17,3	0,68	0,09	0,20						
3/8"	F IP38 3/8 BSP	Female 809400010	10	2	3/8"	G	76,8	3,02	F	70,5	2,78	B	22,0	0,87	H	24,0	0,94	E	32,0	1,26	0,22	0,49
	M I38 3/8 BSP	Male 809400011							D	52,3	2,06	J	17,3	0,68	0,09	0,20						
1/2"	F IP12 3/8 BSP	Female 809400004	12,5	3	3/8"	G	86,3	3,40	F	65,6	2,58	B	27,0	1,06	H	30,0	1,18	E	38,0	1,50	0,26	0,57
	M I12GS 3/8 BSP	Male 809400005							D	57,3	2,26	J	20,5	0,81	0,14	0,31						
1/2"	F IP12 1/2 BSP	Female 809400000	12,5	3	1/2"	G	111,1	4,37	F	69,4	2,73	B	27,0	1,06	H	30,0	1,18	E	38,0	1,50	0,26	0,56
	M I12GS 1/2 BSP	Male 809400001							D	61,1	2,41	J	20,5	0,81	0,14	0,31						
3/4"	F IP34 3/4 BSP	Female 809400014	20	4	3/4"	G	127,3	5,01	F	91,5	3,60	B	36,0	1,42	H	40,0	1,57	E	46,0	1,81	0,62	1,36
	M I34 3/4 BSP	Male 809400015							D	64,4	2,54	J	29,0	1,14	0,28	0,62						
1"	F IP100 3/4 BSP	Female 809400016	25	6	3/4"	G	151,2	5,95	F	103,5	4,07	B	41,0	1,61	H	45,0	1,77	E	54,0	2,13	0,90	1,98
	M I100 3/4 BSP	Male 809400017							D	69,5	2,74	J	34,3	1,35	0,40	0,88						
1"	F IP100 1" BSP	Female 809400018	25	6	1"	G	171,3	6,74	F	109,0	4,29	B	41,0	1,61	H	45,0	1,77	E	54,0	2,13	0,89	1,96
	M I100 1" BSP	Male 809400019							D	75,0	2,95	J	34,3	1,35	0,39	0,86						

### Port description: FEMALE THREAD NPT (ANSI B.1.20.1)

BODY SIZE	Descriptive Code	Item Code	ISO DN	BG	PORT (A)	Overall Length	Length		Hex		Overall Diameter		Body Diameter		Weight							
							mm	in	mm	in	mm	in	mm	in	mm	in	kg	lb				
1/2"	F IP12 1/2 NPT	Female 809401000	12,5	3	1/2"	G	111,1	4,37	F	68,1	2,68	B	27,0	1,06	H	30,0	1,18	E	38,0	1,50	0,25	0,11
	M I12GS 1/2 NPT	Male 809401001							D	59,8	2,35	J	20,5	0,81	0,14	0,06						

**Panel mounting on the sleeve:** please contact, your local Stucchi sales engineer to get detailed dimensions.



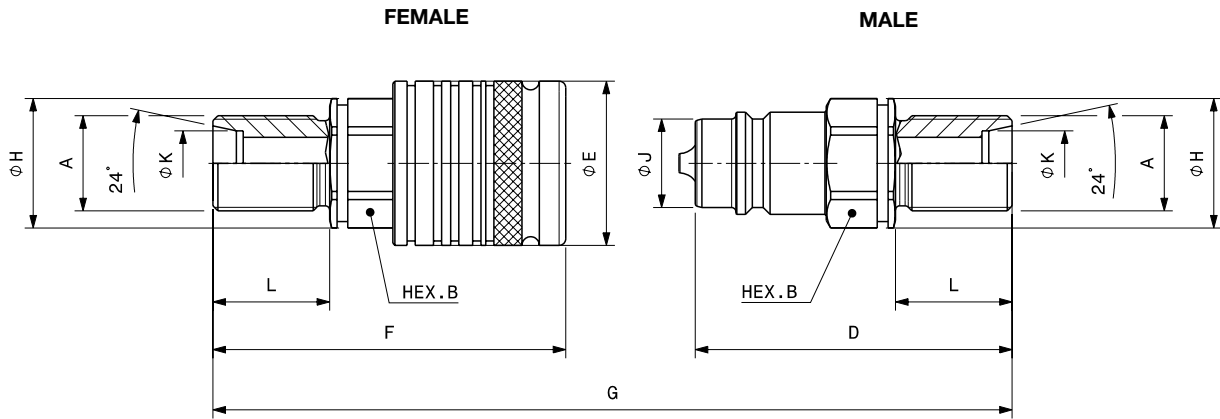
**Port description: MALE THREAD METRIC L SERIES – 24° CONE (ISO 8434-1 & DIN 2353)**

BODY SIZE	Descriptive Code	Item Code	ISO DN	BG	PORT (A)	Overall Length		Length		Hex		Overall Diameter		Diameter		Length		Body Diameter		Weight								
						mm	in	mm	in	mm	in	mm	in	mm	in	mm	in	mm	in	kg	lb							
1/4"	F IP14D L8	Female 809408010	6,3	1	M14 X 1,5	G	90,5	3,56	F	62,9	2,48	B	19,0	0,75	H	21,0	0,83	K	8,2	0,32	L	10,0	0,39	E	26,0	1,02	0,13	0,29
	M I14D L8	Male 809408011							D	45,0	1,77	J	11,9	0,47	0,05	0,10												
3/8"	F IP38 L8	Female 809408012	10	2	M14X 1,5	G	93,2	3,67	F	64,5	2,54	B	22,0	0,87	H	24,0	0,94	K	8,2	0,32	L	10,0	0,39	E	32,0	1,26	0,20	0,44
	M I38 L8	Male 809408013							D	46,3	1,82	J	17,3	0,68	0,07	0,15												
3/8"	F IP38 L10	Female 809408014	10	2	M16 X 1,5	G	95,2	3,75	F	65,5	2,58	B	22,0	0,87	H	24,0	0,94	K	10,2	0,40	L	11,0	0,43	E	32,0	1,26	0,20	0,44
	M I38 L10	Male 809408015							D	47,3	1,86	J	17,3	0,68	0,07	0,15												
1/2"	F IP12 L8	Female 809408002	12,5	3	M14 X 1,5	G	101,0	3,98	F	65,6	2,58	B	27,0	1,06	H	30,0	1,18	K	8,2	0,32	L	10,0	0,39	E	38,0	1,50	0,24	0,52
	M I12GS L8	Male 809408003							D	57,3	2,26	J	20,5	0,81	0,12	0,26												
1/2"	F IP12 L10	Female 809408006	12,5	3	M16 X 1,5	G	101,0	3,98	F	65,6	2,58	B	27,0	1,06	H	30,0	1,18	K	10,2	0,40	L	11,0	0,43	E	38,0	1,50	0,23	0,51
	M I12GS L10	Male 809408007							D	57,3	2,26	J	20,5	0,81	0,12	0,26												
1/2"	F IP12 L12	Female 809408000	12,5	3	M18x1,5	G	120,0	4,72	F	84,6	3,33	B	27,0	1,06	H	30,0	1,18	K	12,2	0,48	L	11,0	0,43	E	38,0	1,50	0,23	0,51
	M I12GS L12	Male 809408001							D	57,3	2,26	J	20,5	0,81	0,12	0,26												
1/2"	F IP12 L15	Female 809408004	12,5	3	M22x1,5	G	103,0	4,06	F	66,6	2,62	B	27,0	1,06	H	30,0	1,18	K	15,2	0,60	L	12,0	0,47	E	38,0	1,50	0,24	0,53
	M I12GS L15	Male 809408005							D	58,3	2,30	J	20,5	0,81	0,12	0,27												
1/2"	F IP12 L18	Female 809408008	12,5	3	M26x1,5	G	103,0	4,06	F	66,6	2,62	B	27,0	1,06	H	30,0	1,18	K	18,2	0,72	L	12,0	0,47	E	38,0	1,50	0,24	0,54
	M I12GS L18	Male 809408009							D	58,3	2,30	J	20,5	0,81	0,13	0,28												
3/4"	F IP34 L18	Female 809408026	20	4	M26x1,5	G	120,5	4,74	F	87,1	3,43	B	36,0	1,42	H	40,0	1,57	K	18,2	0,72	L	12,0	0,47	E	46,0	1,81	0,57	1,26
	M I34 L18	Male 809408027							D	60,0	2,36	J	29,0	1,14	0,24	0,52												
3/4"	F IP34 L22	Female 809408028	20	4	M30x2	G	122,4	4,82	F	88,0	3,46	B	36,0	1,42	H	40,0	1,57	K	22,0	0,87	L	14,0	0,55	E	46,0	1,81	0,57	1,25
	M I34 L22	Male 809408029							D	61,0	2,40	J	29,0	1,14	0,23	0,51												
1"	F IP100 L15	Female 809408030	25	6	M22x1,5	G	138,6	5,46	F	103,0	4,06	B	41,0	1,61	H	45,0	1,77	K	15,2	0,60	L	12,0	0,47	E	54,0	2,13	0,85	1,87
	M I100 L15	Male 809408031							D	69,0	2,72	J	34,3	1,35	0,35	0,76												
1"	F IP100 L18	Female 809408032	25	6	M26x1,5	G	138,6	5,46	F	103,0	4,06	B	41,0	1,61	H	45,0	1,77	K	18,2	0,72	L	12,0	0,47	E	54,0	2,13	0,85	1,87
	M I100 L18	Male 809408033							D	69,0	2,72	J	34,3	1,35	0,35	0,76												
1"	F IP100 L22	Female 809408034	25	6	M30x2	G	142,6	5,61	F	105,0	4,13	B	41,0	1,61	H	45,0	1,77	K	22,2	0,87	L	14,0	0,55	E	54,0	2,13	0,85	1,88
	M I100 L22	Male 809408035							D	71,0	2,80	J	34,3	1,35	0,35	0,77												
1"	F IP100 L28	Female 809408036	25	6	M36x2	G	142,6	5,61	F	105,0	4,13	B	41,0	1,61	H	45,0	1,77	K	28,2	1,11	L	14,0	0,55	E	54,0	2,13	0,85	1,88
	M I100 L28	Male 809408037							D	71,0	2,80	J	34,3	1,35	0,35	0,77												

**Port description: MALE THREAD METRIC S SERIES – 24° CONE (ISO 8434-1 & DIN 2353)**

BODY SIZE	Descriptive Code	Item Code	ISO DN	BG	PORT (A)	Overall Length		Length		Hex		Overall Diameter		Diameter		Length		Body Diameter		Weight								
						mm	in	mm	in	mm	in	mm	in	mm	in	mm	in	mm	in	kg	lb							
1/2"	F IP12 S10	Female 809409000	12,5	3	M18x1,5	G	103,0	4,06	F	66,6	2,62	B	27,0	1,06	H	30,0	1,18	K	10,2	0,40	L	12,0	0,47	E	38,0	1,50	0,24	0,53
	M I12GS S10	Male 809409001							D	58,3	2,30	J	20,5	0,81	0,12	0,27												
1/2"	F IP12 S12	Female 809409002	12,5	3	M20x1,5	G	103,0	4,06	F	66,6	2,62	B	27,0	1,06	H	30,0	1,18	K	12,2	0,48	L	12,0	0,47	E	38,0	1,50	0,24	0,53
	M I12GS S12	Male 809409003							D	58,3	2,30	J	20,5	0,81	0,13	0,28												
1/2"	F IP12 S14	Female 809409004	12,5	3	M22x1,5	G	107,0	4,21	F	68,6	2,70	B	27,0	1,06	H	30,0	1,18	K	14,2	0,56	L	14,0	0,55	E	38,0	1,50	0,25	0,54
	M I12GS S14	Male 809409005							D	60,3	2,37	J	20,5	0,81	0,13	0,29												

**Panel mounting on the sleeve:** please contact your local Stucchi sales engineer to get detailed dimensions.



**Port description: MALE THREAD METRIC L SCHOTT – BULKHEAD SERIES – 24° CONE (ISO 8434-1 & DIN 2353)**

BODY SIZE	Descriptive Code	Item Code	ISO DN	BG	PORT (A)	Overall Length	Length		Hex		Overall Diameter		Diameter		Length		Body Diameter		Weight	
							mm	in	mm	in	mm	in	mm	in	mm	in	mm	in	mm	in
1/4"	F IP14D L8 SCHOTT	Female 809410010	6,3	1	M14 X 1,5	G 120,5	F 77,9	3,07	B 19,0	0,75	H 21,0	0,83	K 8,2	0,32	L 25,0	0,98	E 26,0	1,02	0,14	0,31
	M 114D L8 SCHOTT	Male 809410011					D 60,0	2,36	J 11,9	0,47	0,06	0,13								
3/8"	F IP38 L8 SCHOTT	Female 809410012	10	2	M14 X 1,5	G 123,2	F 79,5	3,13	B 22,0	0,87	H 24,0	0,94	K 8,2	0,32	L 25,0	0,98	E 32,0	1,26	0,21	0,46
	M 138 L8 SCHOTT	Male 809410013					D 61,3	2,41	J 17,3	0,68	0,08	0,18								
3/8"	F IP38 L10 SCHOTT	Female 809410014	10	2	M16 X 1,5	G 125,2	F 80,5	3,17	B 22,0	0,87	H 24,0	0,94	K 10,2	0,40	L 26,0	1,02	E 32,0	1,26	0,21	0,47
	M 138 L10 SCHOTT	Male 809410015					D 62,3	2,45	J 17,3	0,68	0,08	0,18								
1/2"	F IP12 L8 SCHOTT	Female 809410002	12,5	3	M14 X 1,5	G 133,0	F 81,6	3,21	B 27,0	1,06	H 30,0	1,18	K 8,2	0,32	L 26,0	1,02	E 38,0	1,50	0,25	0,55
	M 112GS L8 SCHOTT	Male 809410003					D 73,3	2,89	J 20,5	0,81	0,13	0,29								
1/2"	F IP12 L10 SCHOTT	Female 809410006	12,5	3	M16 X 1,5	G 131,0	F 80,6	3,17	B 27,0	1,06	H 30,0	1,18	K 10,2	0,40	L 26,0	1,02	E 38,0	1,50	0,25	0,54
	M 112GS L10 SCHOTT	Male 809410007					D 72,3	2,85	J 20,5	0,81	0,13	0,29								
1/2"	F IP12 L12 SCHOTT 30	Female 809410000	12,5	3	M18 X 1,5	G 139,0	F 84,6	3,33	B 27,0	1,06	H 30,0	1,18	K 12,2	0,48	L 30,0	1,18	E 38,0	1,50	0,25	0,56
	M 112GS L12 SCHOTT 30	Male 809410001					D 76,3	3,00	J 20,5	0,81	0,14	0,31								
1/2"	F IP12 L15 SCHOTT	Female 809410004	12,5	3	M22x1,5	G 133,0	F 81,6	3,21	B 27,0	1,06	H 30,0	1,18	K 15,2	0,60	L 27,0	1,06	E 38,0	1,50	0,27	0,59
	M 112GS L15 SCHOTT	Male 809410005					D 73,3	2,89	J 20,5	0,81	0,15	0,34								
1/2"	F IP12 L18 SCHOTT	Female 809410008	12,5	3	M26x1,5	G 133,0	F 81,6	3,21	B 27,0	1,06	H 30,0	1,18	K 18,2	0,72	L 27,0	1,06	E 38,0	1,50	0,28	0,62
	M 112GS L18 SCHOTT	Male 809410009					D 73,3	2,89	J 20,5	0,81	0,16	0,36								
3/4"	F IP34 L15 SCHOTT	Female 809410024	20	4	M22x1,5	G 148,5	F 101,1	3,98	B 36,0	1,42	H 40,0	1,57	K 15,2	0,60	L 27,0	1,06	E 46,0	1,81	0,59	1,29
	M 134 L15 SCHOTT	Male 809410025					D 74,0	2,91	J 29,0	1,14	0,25	0,55								
3/4"	F IP34 L22 SCHOTT 36	Female 809410028	20	4	M30x2	G 166,5	F 110,1	4,33	B 36,0	1,42	H 40,0	1,57	K 22,0	0,87	L 36,0	1,42	E 46,0	1,81	0,63	1,38
	M 134 L22 SCHOTT 36	Male 809410029					D 83,0	3,27	J 29,0	1,14	0,29	0,64								

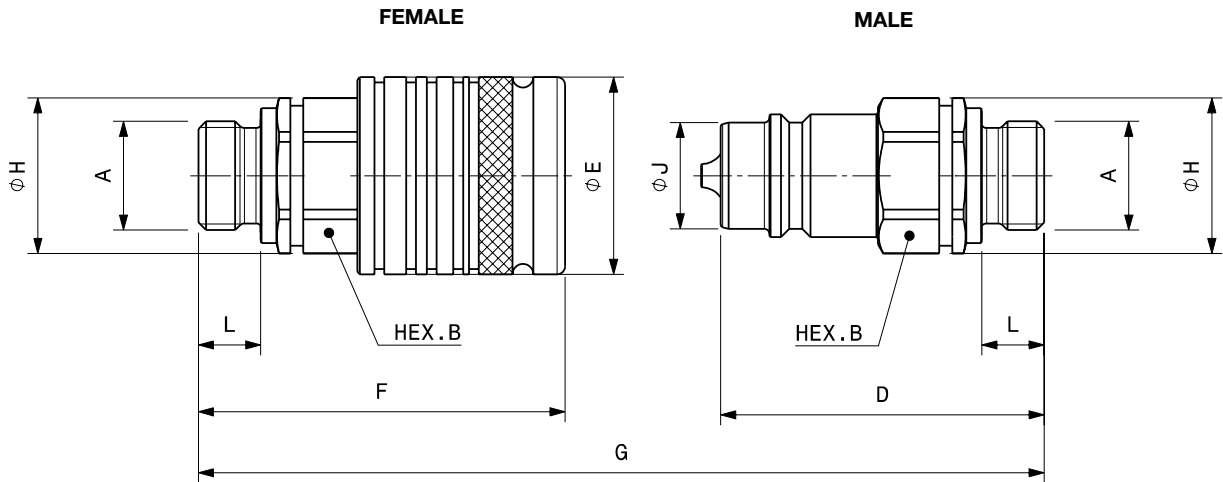
Locknuts available upon request.

**Port description: MALE THREAD METRIC S SCHOTT – BULKHEAD SERIES – 24° CONE (ISO 8434-1 & DIN 2353)**

BODY SIZE	Descriptive Code	Item Code	ISO DN	BG	PORT (A)	Overall Length	Length		Hex		Overall Diameter		Diameter		Length		Body Diameter		Weight	
							mm	in	mm	in	mm	in	mm	in	mm	in	mm	in	kg	lb
1/2"	F IP12 S10 SCHOTT	Female 809411000	12,5	3	M18 X 1,5	G 133,0	F 81,6	3,21	B 27,0	1,06	H 30,0	1,18	K 10,2	0,40	L 27,0	1,06	E 38,0	1,50	0,27	0,60
	M 112GS S10 SCHOTT	Male 809411001					D 73,3	2,89	J 20,5	0,81	0,16	0,35								
1/2"	F IP12 S12 SCHOTT	Female 809411002	12,5	3	M20x1,5	G 133,0	F 81,6	3,21	B 27,0	1,06	H 30,0	1,18	K 12,2	0,48	L 27,0	1,06	E 38,0	1,50	0,27	0,59
	M 112GS S12 SCHOTT	Male 809411003					D 73,3	2,89	J 20,5	0,81	0,15	0,33								
1/2"	F IP12 S16 SCHOTT	Female 809411006	12,5	3	M24x1,5	G 137,0	F 83,6	3,29	B 27,0	1,06	H 30,0	1,18	K 16,2	0,64	L 29,0	1,14	E 38,0	1,50	0,28	0,62
	M 112GS S16 SCHOTT	Male 809411007					D 75,3	2,96	J 20,5	0,81	0,17	0,37								
3/4"	F IP34 S16 SCHOTT	Female 809411010	20	4	M24x1,5	G 152,5	F 103,1	4,06	B 36,0	1,42	H 40,0	1,57	K 16,2	0,64	L 29,0	1,14	E 46,0	1,81	0,60	1,33
	M 134 S16 SCHOTT	Male 809411011					D 76,0	2,99	J 29,0	1,14	0,27	0,59								
3/4"	F IP34 S20 SCHOTT	Female 809411012	20	4	M30x2	G 166,5	F 110,1	4,33	B 36,0	1,42	H 40,0	1,57	K 20,0	0,79	L 36,0	1,42	E 46,0	1,81	0,65	1,43
	M 134 S20 SCHOTT	Male 809411013					D 83,0	3,27	J 29,0	1,14	0,31	0,69								
1"	F IP100 S20 SCHOTT 38	Female 809411014	25	6	M30x2	G 190,6	F 129,0	5,08	B 41,0	1,61	H 45,0	1,77	K 20,2	0,80	L 38,0	1,50	E 54,0	2,13	0,94	2,07
	M 1100 S20 SCHOTT 38	Male 809411015					D 95,0	3,74	J 34,3	1,35	0,44	0,96								
1"	F IP100 S25 SCHOTT	Female 809411016	25	6	M36x2	G 190,6	F 129,0	5,08	B 41,0	1,61	H 45,0	1,77	K 25,2	0,99	L 38,0	1,50	E 54,0	2,13	0,98	2,16
	M 1100 S25 SCHOTT	Male 809411017					D 95,0	3,74	J 34,3	1,35	0,48	1,06								

Locknuts available upon request.

**Panel mounting on the sleeve:** please contact, your local Stucchi sales engineer to get detailed dimensions.



**Port description: MALE THREAD BSPP (DIN3852/A)**

BODY SIZE	Descriptive Code	Item Code	ISO DN	BG	PORT (A)	Overall Length	Length		Length		Hex		Overall Diameter		Overall Diameter		Weight								
							mm	in	mm	in	mm	in	mm	in	mm	in	kg	lb							
3/8"	FIP38 3/8 BSP EXT - A : Female	809400012	10	2	3/8"	G	102,2	4,02	F	69,0	2,72	L	12,0	0,47	B	22,0	0,87	H	24,0	0,94	E	32,0	1,26	0,42	0,91
	M I38 3/8 BSP EXT - A : Male	809400013							D	50,8	2,00										J	17,3	0,68	0,08	0,18
1/2"	FIP12 1/2 BSP EXT - A : Female	809400002	12,5	3	1/2"	G	111,0	4,37	F	70,6	2,78	L	12,0	0,47	B	27,0	1,06	H	30,0	1,18	E	38,0	1,50	0,28	0,62
	M I12GS 1/2 BSP EXT - A : Male	809400003							D	62,3	2,45										J	20,5	0,81	0,14	0,30

**Panel mounting on the sleeve:** please contact, your local Stucchi sales engineer to get detailed dimensions.

**IRS version**

IRS Series is the ISO 7241 A interchangeable quick coupling with single body.

It is available with poppet valving style (IRS-VA version) and with ball valving style (IRS-A version).

The specific datasheet is available upon request; please contact Stucchi Technical Support for additional information.

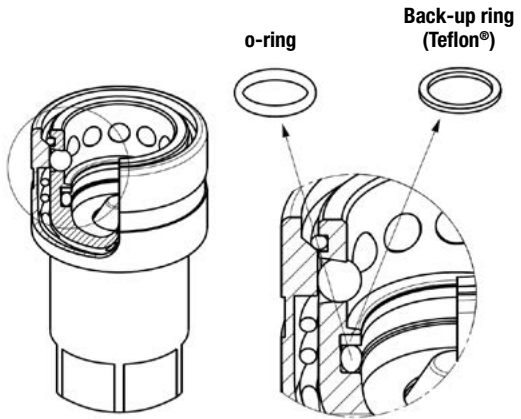




## SPARE KIT SEAL FOR FEMALE

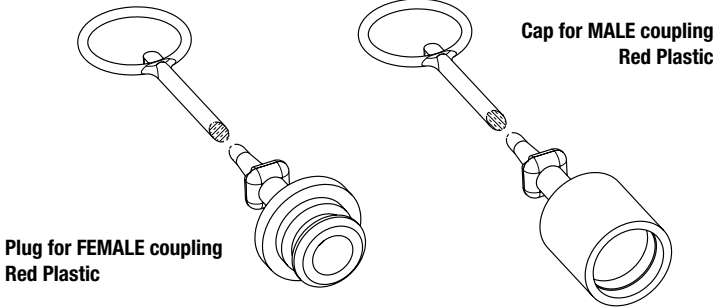
Repair kit / OR+BK		
Body Size	Description	Part Number
1/4"	F IP14D	815700924
3/8"	F IP38	815700926
1/2"	F IP12	815700928
3/4"	F IP34	815700930
1"	F IP100	815700932

O-Ring in NBR  
BackUp in Teflon®



## PROTECTIVE CAPS FOR I-IP SERIES

Protective caps are always recommended to protect the couplings from damage, dirt inclusion, and will increase the product life. This is particularly important in agriculture applications where exposure to weather and aggregate materials are common. The protective caps for I-IP series are manufactured in plastic with connection lanyard (standard color red, other colors available upon request). A flip cap version is also available for the size 1/2".

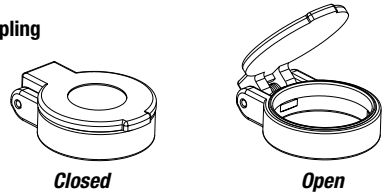


**Plug for FEMALE coupling**  
Red Plastic

**Cap for MALE coupling**  
Red Plastic

Body Size/Description	Protective Cap		Material/Color
	Part Number	Part Number	
3/8" IP38	Plug for Female 815000014	Cap for Male 815000015	Plastic/Red
1/2" IP12	815000004	815000005	Plastic/Red
3/4" IP34	815000016	815000017	Plastic/Red
1" IP100	815000018	815000019	Plastic/Red

**Flip cap for FEMALE coupling**  
Plastic



**Closed**

**Open**

Body Size/Description	Protective Cap		Material/Color
	Part Number	Part Number	
1/2" IP12	Plug for Female 815200004		Plastic/Red

STUCCHI Quick Couplings Catalog - April 2021 - All right reserved. Texts, data and illustrations mentioned in this catalogue may be changed by Stucchi at any time, without notice; always refer to the version uploaded on the English version of stucchigroup.com/en website for the latest release. In case of doubt, please contact Stucchi technical service.

POPPET