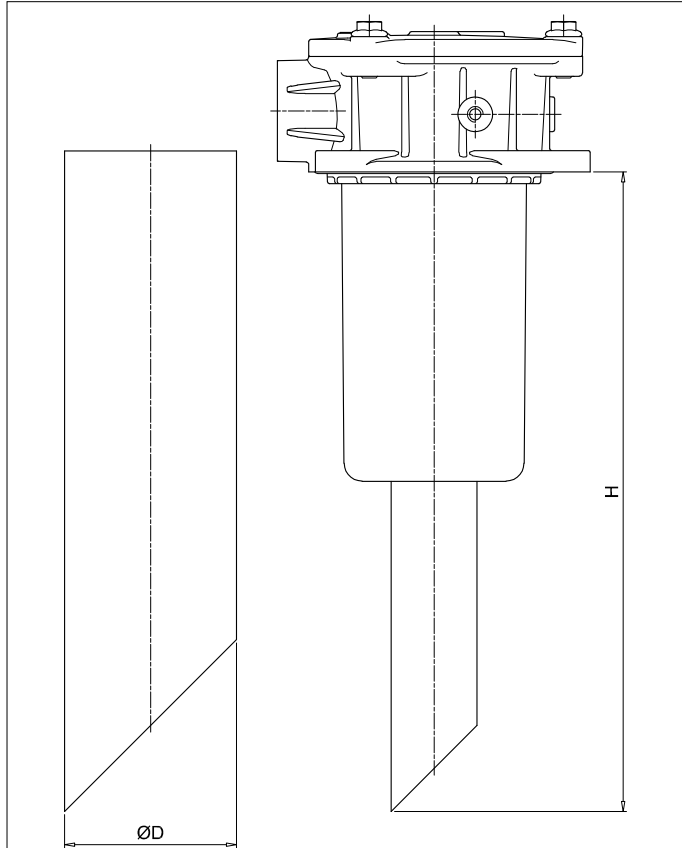


Accessories

STEEL EXTENSION TUBE



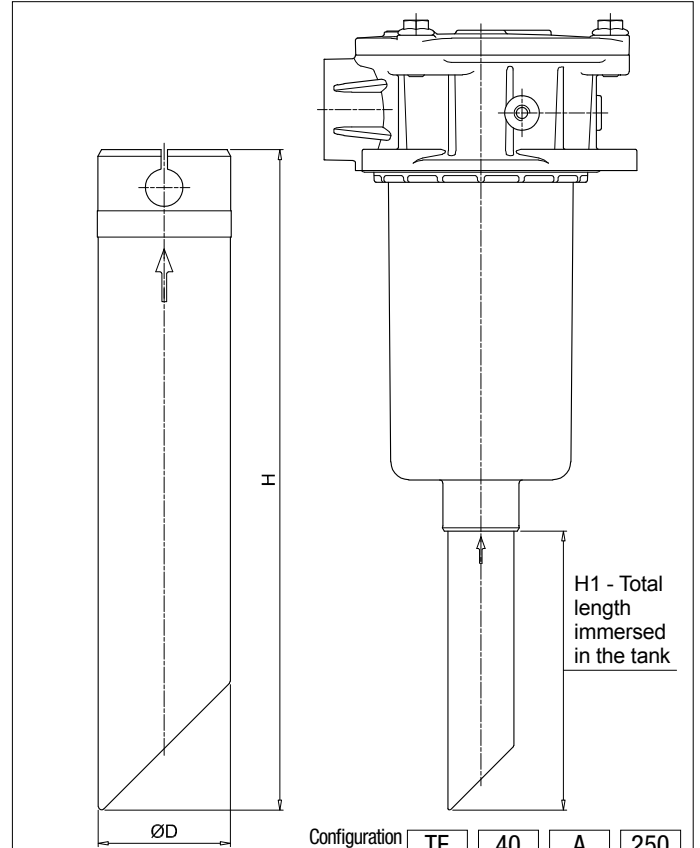
Configuration example:

MPF191 2 A F1 A10 H B S60

Length	H [mm]
S30	300
S35	350
S40	400
S45	450
S50	500
S60	600
S70	700
S80	800
S90	900

COMPATIBILITY TABLE						Ø D [mm]	
Filter series	Filter size				Filter Length	52	65
MPF	191	192	194		2	•	
	400	410	450	451	1	•	
					2		•
					3		
	750			1		•	

NYLON EXTENSION TUBE



Configuration example: TE 40 A 250

Series	Size	Material	Length	H [mm]	H1 [mm]
TE	25	A Nylon	200	200	174
	32		250	250	224
	40		300	300	274
			350	350	324
			400	400	374
			450	450	424
			500	500	474

COMPATIBILITY TABLE									
Filter series	Filter size			Filter Length	TE25	TE32	TE40		
MPF - MPFX	30			1	•				
MPF	100	104	110	2		•			
				3					
				4			•		
				1					
MPFX	100	104	110	2			•		
				3					
				4					
				1			•		
MPF - MPFX	181	182	184	1			•		
MPT - MPTX	025		027		2	•			
					3				
					1			•	
MPT	101	104	110	114	120	2			
						3			
						4			•
						1			
MPTX	101	104	110	114	120	2			
						3			
						4			•
						1			

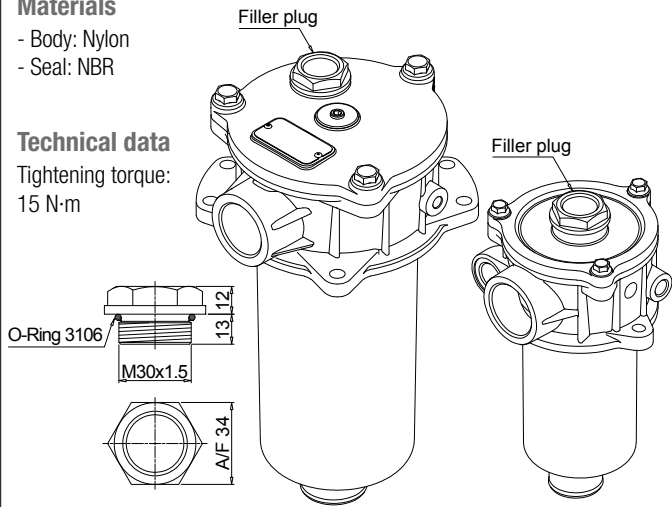
FILLER PLUG

Materials

- Body: Nylon
- Seal: NBR

Technical data

Tightening torque:
15 N·m



For any further information, please, contact our commercial dept.

DIFFUSER WITH FAST LOCK CONNECTION

Configuration example: **DFS 32 A 075**

Series	Size	Version	Length
DFS			
	32		
	40		
		A	
			075

COMPATIBILITY TABLE								
Filter series	Filter size			Filter Length	DFS32	DFS40		
MPF	100	104	110	1	•			
				2				
				3		•		
				4				
MPFX	100	104	110	1				
				2		•		
				3				
				4				
MPT	101	104	110	114	120	1	•	
						2		
						3		
						4		•
MPTX	101	104	110	114	120	1		
						2		•
						3		
						4		

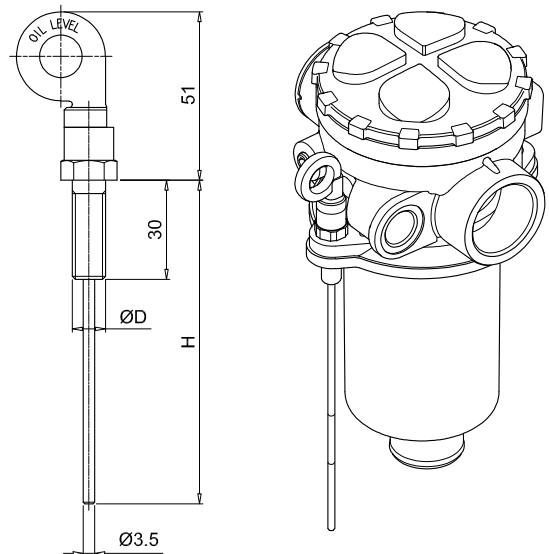
DIPSTICK

Materials

- Screw: phosphatized steel
- Stick: phosphatized steel
- Handle: Nylon

Technical data

Working temperature:
From -25 °C to +110 °C



Configuration example:

DPT 20 M10 A P01

Series

DPT

Length H [mm]

15	134
20	184
25	234
30	284
35	334

Fastening

M8 Fastening with screws $\varnothing D = M8$

M10 Fastening with screws $\varnothing D = M10$

Seals

A NBR

V FPM

Execution

P01 MP Filtri standard

Pxx Customized