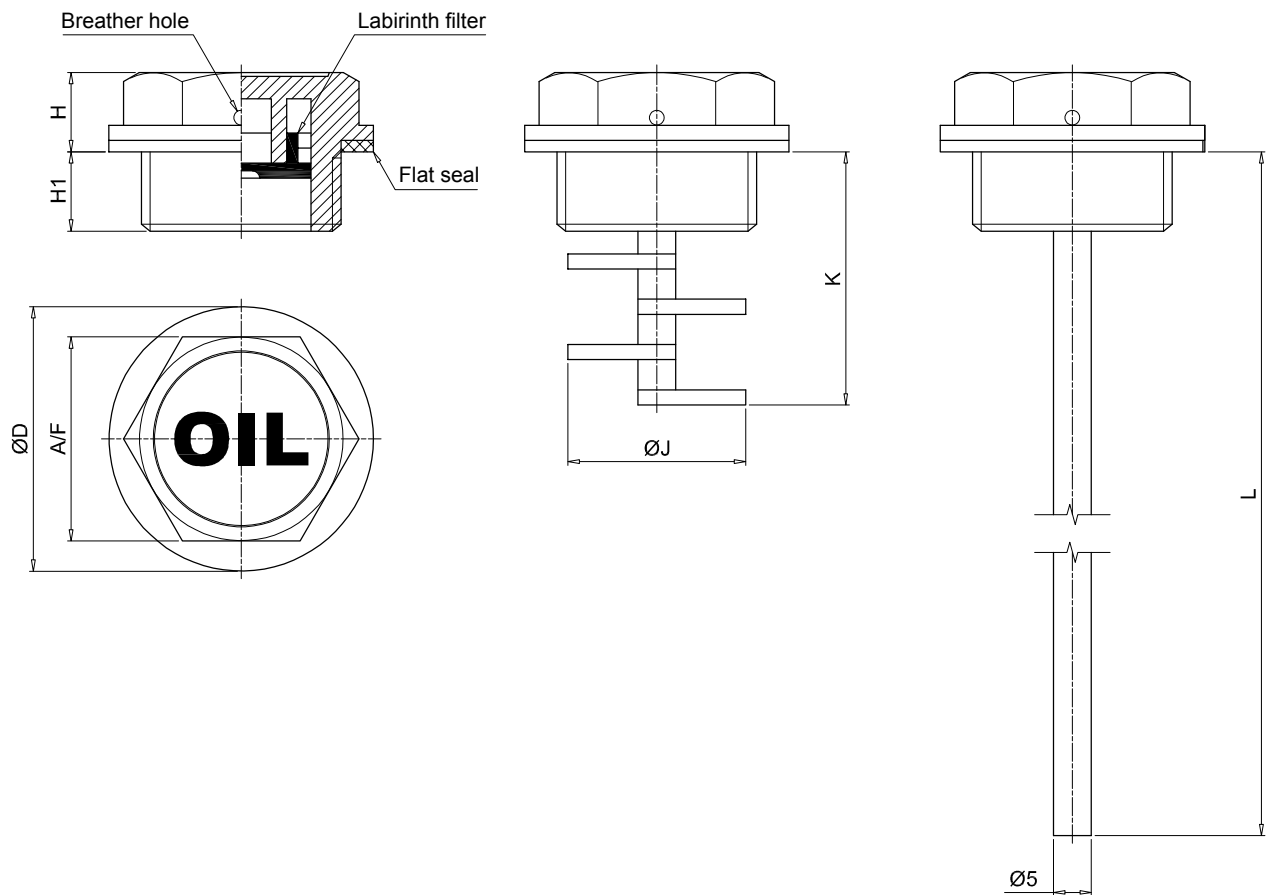


# TKT - TSD series

Nylon and aluminium filler and drain plugs







Connections	ØD [mm]	A/F [mm]	H [mm]	H1 [mm]	ØJ [mm]	K [mm]	L [mm]
<b>G13</b>	20	17	8.5	7.5	-	-	205
<b>G16</b>	22	18	9.5	8.5	13.5	32	206
<b>G20</b>	28	22	9.5	9.5	17.5	33	207
<b>G26</b>	35	27	10.5	10.5	23.5	34	208
<b>G33</b>	42	34	10.5	10.5	29.5	36	201
<b>G42</b>	52	42	11	11	38	38	201
<b>G48</b>	58	47	11	11	38	36	201
<b>G60</b>	74	64	18	18	-	-	198