

## 101 SERIES – BOURDON TUBE PRESSURE GAUGE



101A



101B



101F

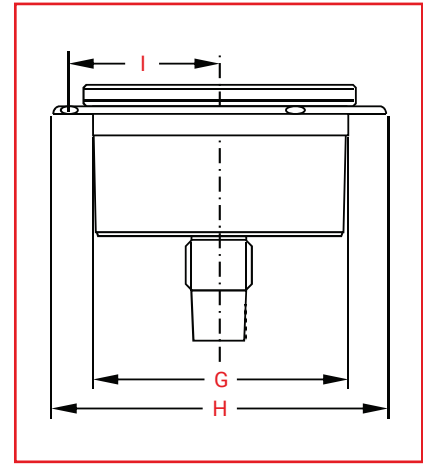
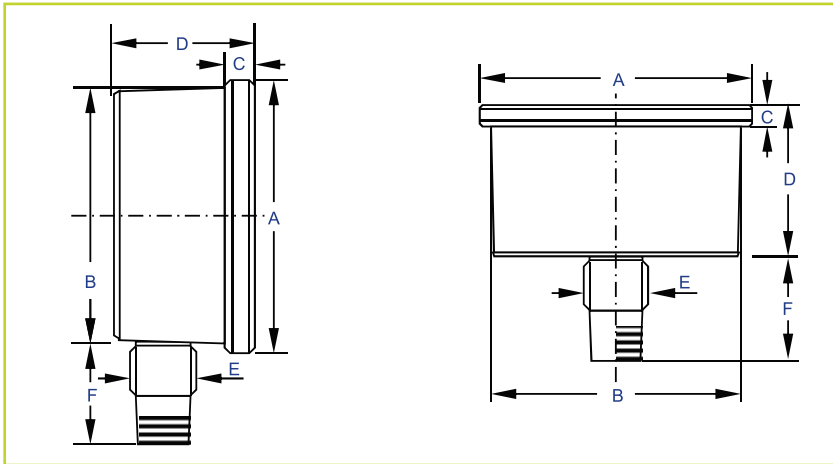
### Description

101 series is filled with glycerine which are used to resist vibration and pulsation, Instruments can be used with gaseous or liquid media which do not corrode copper alloy and which do not have high viscosity or do not cristalize.

### Material Feature

<b>CASE</b>	SS304, Polished
<b>RING</b>	SS304, Polished
<b>WINDOW</b>	Polycarbonate or Tempered Glass
<b>DIAL</b>	Aluminium
<b>POINTER</b>	Aluminium
<b>ACCURACY</b>	1.6%

<b>CONNECTION</b>	Brass / BSP
<b>THREAD SIZE</b>	1/4", 1/2"
<b>CONNECTION TYPE</b>	2 Parts
<b>MOVEMENT</b>	Brass
<b>BOURDON TUBE</b>	Phosphorus Bronze
<b>PRESSURE RANGE</b>	0-1000 bar



### Dimensions

CODE	DIA(mm)	SIZE								
		A	B	C	D	E	F	G	H	I
C101	63	68.0	61.0	6.0	29.0	14.0	24.0	63.0	84.0	37.0
G101	100	108.5	98.5	9.0	37.5	22.0	36.0	99.5	130.0	58.5



PED 2014/68/EU