



Relief Valves Catalog

Direct Acting

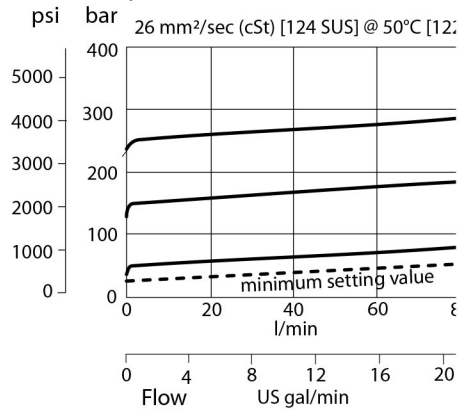
VME 08

OPERATION

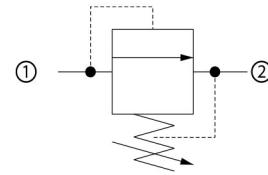
This is a direct-acting, poppet-type relief valve that relieves from 1 to 2. It features a highly damped poppet for smooth and stable response.

SPECIFICATIONS

Theoretical performance



Schematic



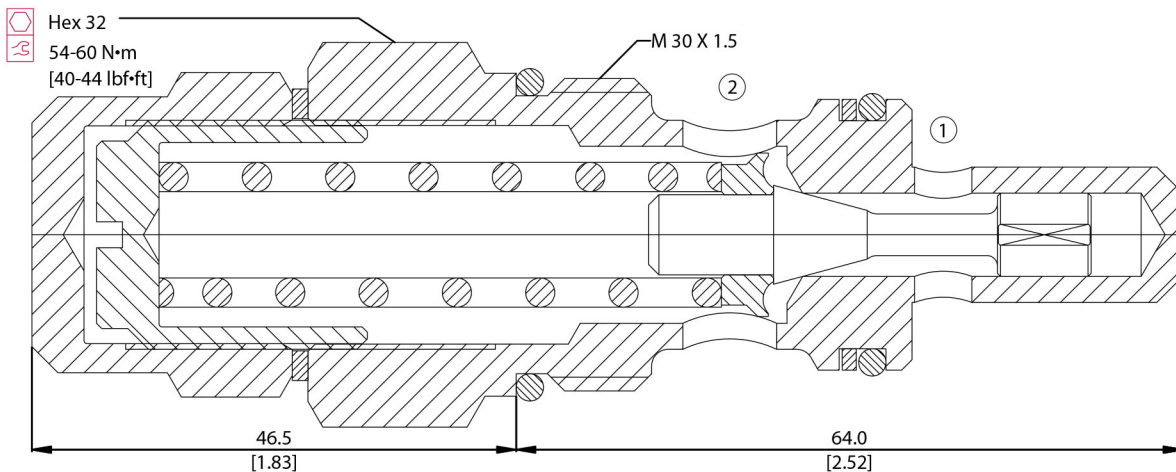
Specifications

Rated pressure	315 bar [4500 psi]
Rated flow	80 l/min [21 US gal/min]
Weight	0.35 kg [0.77 lb]
Cavity	VME08

DIMENSIONS

mm [in]

Cross-sectional view



ORDERING INFORMATION

VME 08 - E - 2 - DG3/4 - V - XXX

Adjustment

E = Internal screw
M = Handwheel

Setting range

1 = 25 - 80 bar [363-1160 psi]
2 = 35 - 160 bar [508-2321 psi]
3 = 70 - 315 bar [1015-4569 psi]

Seals

V = Viton
Omit = Buna-N

Seal kit
Consult factory
Consult factory

Housing and ports

00 = No Housing
DG3/4 = Al, 3/4 BSP
DG12S = Al, #12 SAE
Other housings available

Housing P/N

No Housing
VME08-DG-3/4
VME08-DG-12S

To order this valve with a specific factory setting, contact your Comatrol representative