



Cartridge Valves Technical Information

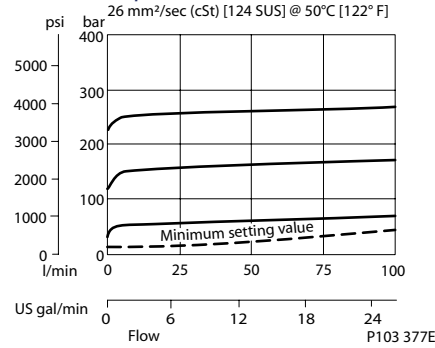
Relief valves RPP 06

OPERATION

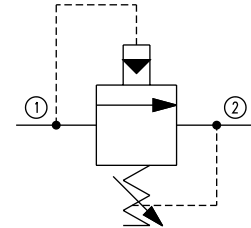
This is a pilot-operated, spool-type relief valve that relieves from 1 to 2.

SPECIFICATIONS

Theoretical performance



Schematic



P102 629

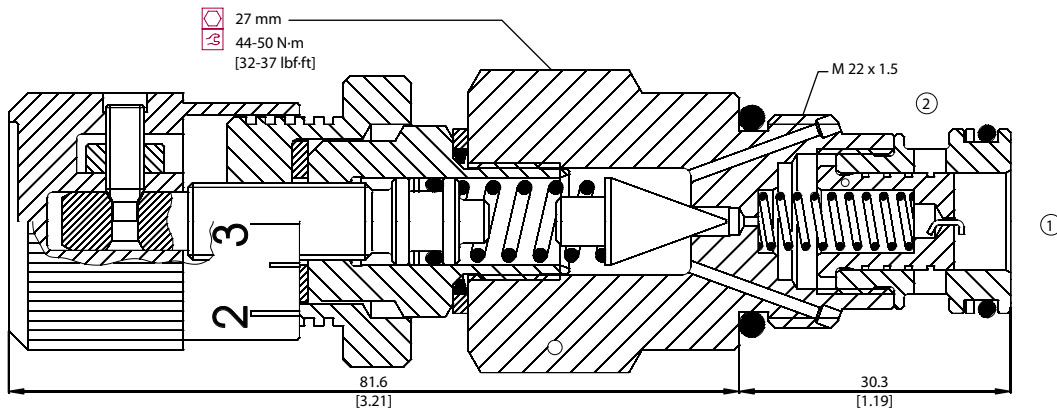
Specifications

Rated pressure	315 bar [4500 psi]
Rated flow at 7 bar [100 psi]	100 l/min [26 US gal/min]
Weight	0.27 kg [0.60 lb]
Cavity	NCS06/2

DIMENSIONS

mm [in]

Cross-sectional view



P103 376

ORDERING INFORMATION

RPP 06 - EN - 1 - 00 - V - XXX

Type of adjustment

- E = Internal screw
- EN = External screw
- M = Handwheel

Setting range

- 1 = 10 - 70 bar [145 - 1015 psi]
- 2 = 30 - 170 bar [435 - 2466 psi]
- 3 = 70 - 315 bar [1015 - 4569 psi]

To order this valve with a specific factory setting, contact your Sauer-Danfoss representative

Seals

- V = Viton
- Omit = Buna-N

Seal Kit

Consult factory
230000060

Housing and ports

- 00 = No Housing
- DG3/8 = AL, 3/8 BSP
- DG1/2 = AL, 1/2 BSP
- DG6S = AL, #6 SAE
- DG8S = AL, #8 SAE

Other housings available

Housing P/N

- No Housing
- NCS06/2-DG-3/8
- NCS06/2-DG-1/2
- NCS06/2-DG-6S
- NCS06/2-DG-8S

P103 378E