



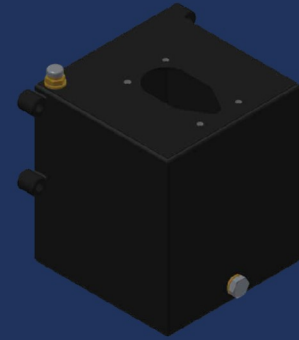
Tanks

S5 (175x175)

Tech sheet

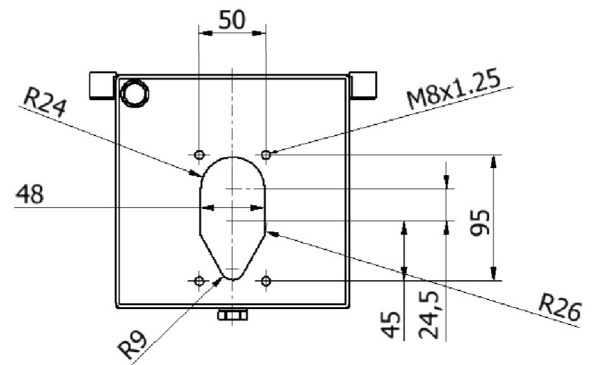
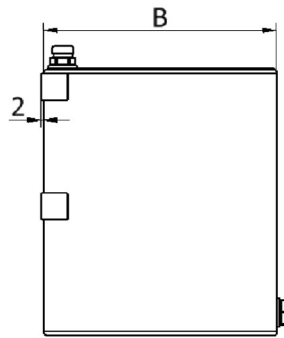
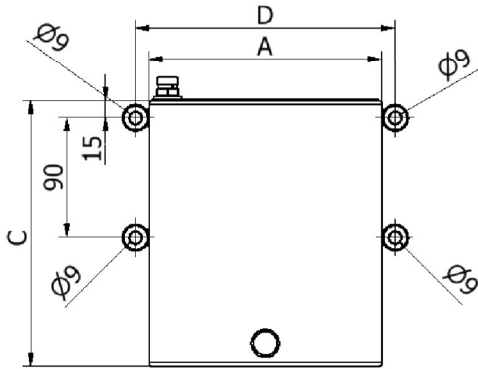
DETAILS

Painted steel oil tank for hand pumps lt. 5



SPECIFICATIONS

Model S5 ac 175x175x200
Suction pipe included
Breather cap 1/4 G
Release cap 1/4 G
Standard colour black



CAPACITY liters	A mm	B mm	C mm	D mm	MASS KG	SUCTION PIPE	CODE
5	175	175	200	195	5,300	Ø10x156 mm	6500.0260



HV Hydraulic s.r.l. | Take YOU to another WORLD

Head Office
Via dell'Agricoltura, 162 Loc. Castello di Serravalle
40053 VALSAMOGGIA (BO) Italy

Warehouse
Via del Lavoro, 111 e 135 Loc. Castello di Serravalle
40053 VALSAMOGGIA (BO) Italy