



HFP series

HFP2STSE

Hydraulic pump, double speed, lever/pedal operated, for industrial and professional tools, single acting cylinders, 1L usable oil

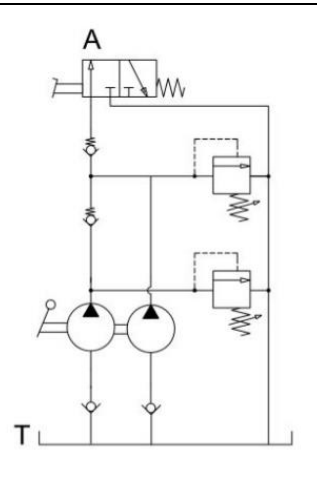
Series: HFP

Product line: Industrial tools, lifting systems, garages, hobby, emergency, clamping systems, hydraulic equipment, crimper

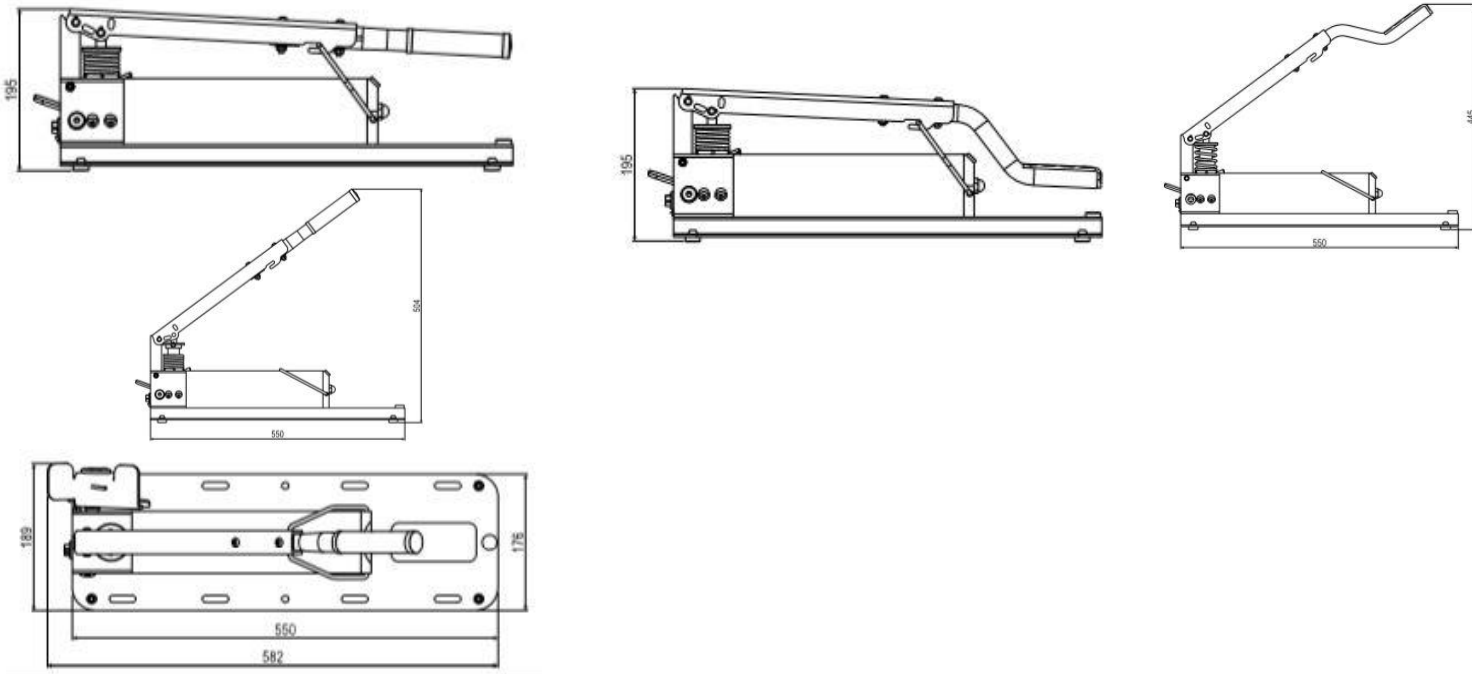
- Lever or pedal operated
- Double stage for a very low effort on the lever and an increased efficiency
- Significant reduction of fatigue during operations
- Steel construction for maximum strength and durability
- Lightweight and compact
- Single acting cylinder compatibility
- Compact and sturdy construction for heavy duty
- It does not require any pneumatic network, compressors or any other devices for operation
- Easy to handle and transport
- Versatile use in both horizontal & vertical positions
- Working pressures up to 1.000bar
- Externally adjustable safety valves to protect against overloads
- Slide with slots for perfect stability and easy installation onto the application
- Light weight and overall dimensions.

Technical features:

Max working pressure 1st stage (bar):	50
Max working pressure 2nd stage (bar):	700/850/1.000
Valve exchange displacement (cc):	2,7
Cylinder compatibility::	single effect
Tank capacity (L):	1
Usabel oil (L)::	1
Oil flow per stroke 1st stage (cm3):	12
Oil flow per stroke 2nd stage (cm3):	2
Standard oil port thread:	G3/8"
Max effort on the lever (kg):	43
Piston stroke (mm):	24
Valve function:	manual
Energy source:	manual
Size:	mm 580 x 189 x 195
Weight (kg):	8,5



Size:



Series comparison:

Type	Speed	Cylinder	Working Pressure (I° Stage)	Working Pressure (II° Stage)	Tank (L)	Usable Oil (L)	Oil flow (l/min) (I° Stage)	Oil flow (l/min) (II° Stage)	Weight (Kg)
HFP200	Single	SE	200	/	1,3	1,3	11,5	/	9,5
HFP2STSE	Double	SE	50	700/850/1000	1	1	12	2	8,5
HFP2STDE	Double	DE	50	700/850/1000	1	1	12	2	8,2
HFP2STUS	Double	SE	50	700	0,5	0,46	4,6	0,92	3,9

To order:

- P/N 927020040 HFP2ST700SE 700BAR 1L G3/8" HANDLE BELL
- P/N 927020020 HFP2ST700SE 700BAR 1L G3/8" PEDAL BELL
- P/N 927020060 HFP2ST700SE 850BAR 1L G3/8" + GAUGE BELL

Spare parts:

- SEAL KIT HFP2ST

Accessories:

- Hose Flex
- Pressure gauge
- Support feet



All BELL products are designed and manufactured within BELL SRL in via F. De Pisis, 5 - 42124 Reggio Emilia (RE) - Italy, according to the Quality Standards that distinguish the MADE IN ITALY from the Rest of the World.