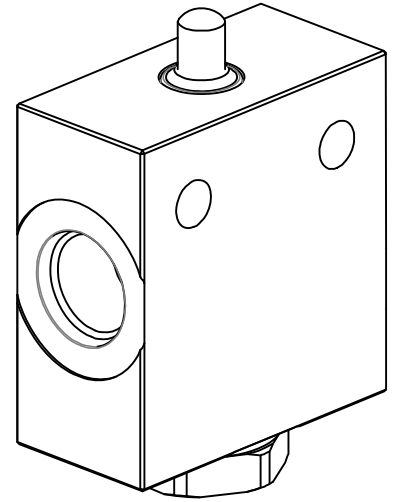
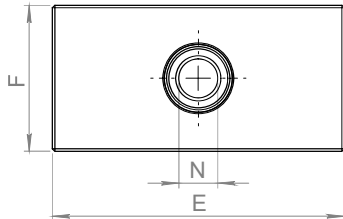
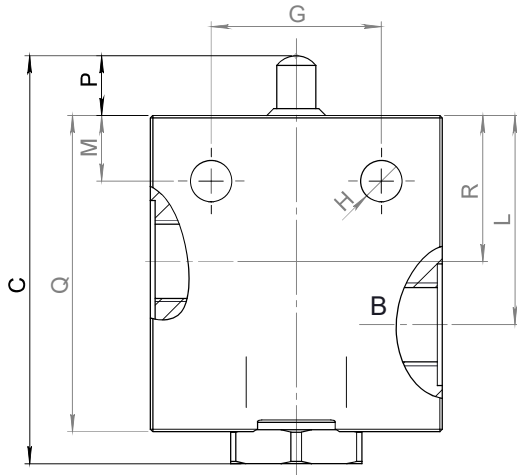
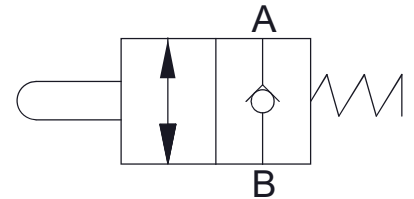


Dimensions



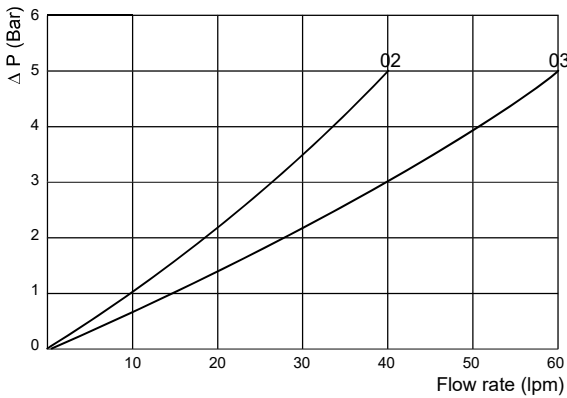
Size	C	D BSP	E	F	G	H	L	M	N	P	Q	R	Hex	Weight kg
02	83,9	3/8	60	30	35	8,5	43	13,5	8	12,3	63	30	27	0,80
03	96	1/2	70	35	40	8,5	51	13,5	12	12,3	75	37	32	1,28

Hydraulic Symbol



Curves

B → A



Features

Size	02	03
Max Pressure (bar)	350	350
Max Flow Rate (lpm)	30	60
Stroke (mm)	10	12
Spring Bias (Nm)	20	20

Materials: Zinc plated steel body, hardened steel inner parts.

Ordering Code

ESCS --

	Size BSP
02	3/8
03	1/2

Ordering Code Example: ESCS02 = 3/8 BSP.