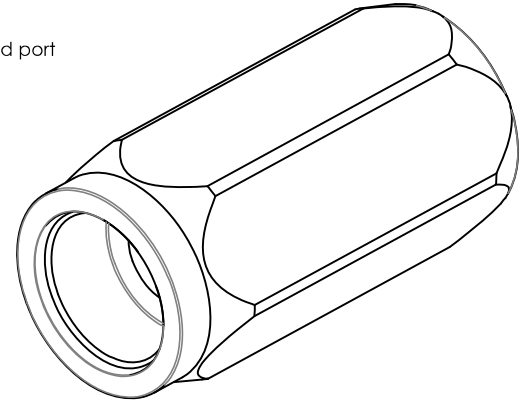
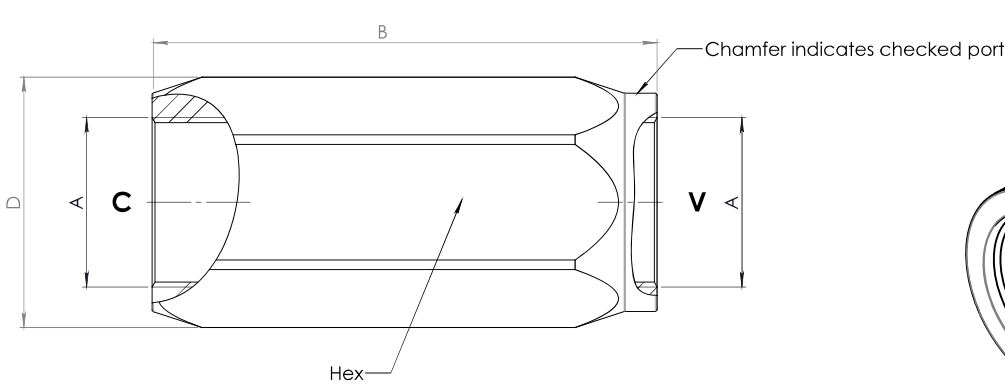


### Dimensions

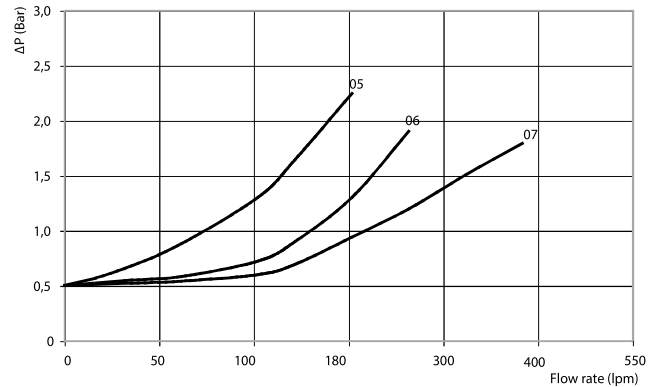
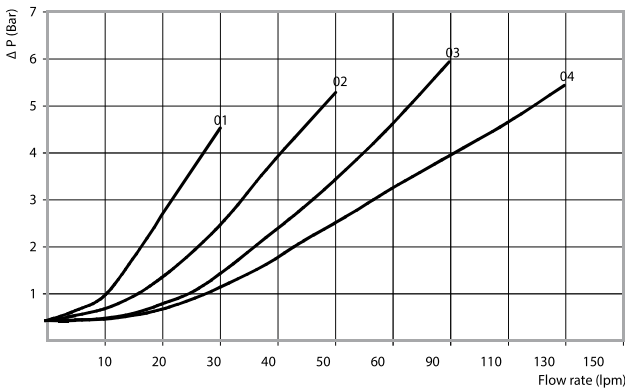


Size	A BSP	B	D	Hex	Weight kg	Max Pressure bar	Max Flow rate lpm
01	1/4	58	21	19	0,10	400	30
02	3/8	62	27	24	0,19	400	50
03	1/2	71	33	30	0,32	350	90
04	3/4	83	40	36	0,58	300	130
05	1	106	57	50	0,93	280	180
06	1 1/4	125	63	55	1,51	260	250
07	1 1/2	137	74	65	2,41	220	380

### Hydraulic Symbol



### Curves



**Materials:** Zinc plated steel body, hardened steel poppet.

### Ordering Code

**CVL**

--

-

#### Size BSP

01	1/4
02	3/8
03	1/2
04	3/4
05	1
06	1 1/4
07	1 1/2

#### Spring (bar)

	0,5
4	4
8	8

**Ordering Code Example:** CVL03 = 1/2 BSP - 0,5 bar Cracking pressure.